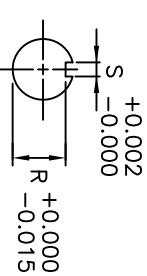
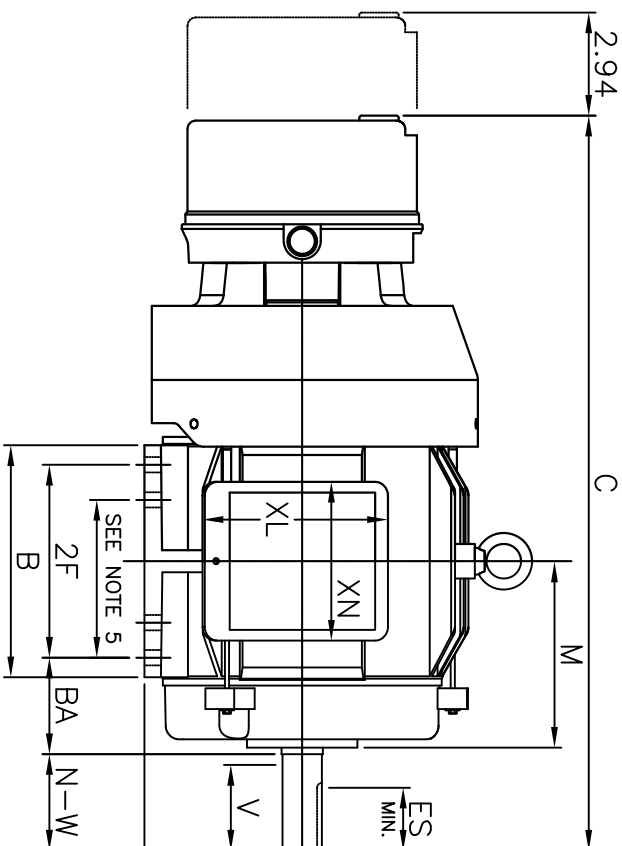
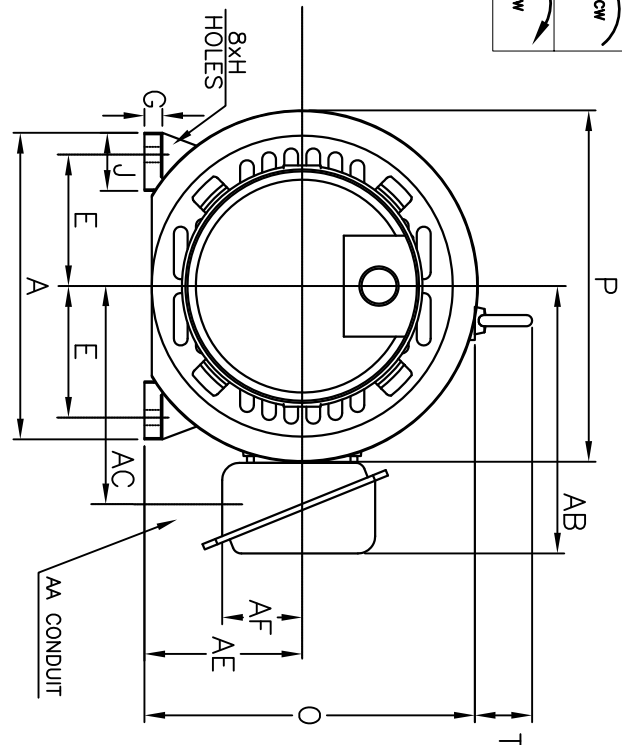


CLEARANCE REQUIRED TO REMOVE HOUSING



UNITS: INCHES

| FRAME SIZE | MOTOR DIMENSIONS | | | | | | | | | | CONDUIT BOX | | | | | | MAXIMUM WEIGHT | |
|------------|------------------|-----------|------|------|------|------|-------|-------|-------|------|-------------|--------|----------|-----|-----|-----|----------------|-----|
| | A | B | C | D | G | J | K | M | O | P | T | AA | AB | AC | AE | AF | | XL |
| 182T/184T | 8.8 | 6.6 | 21.0 | 4.50 | 0.5 | 1.6 | 0 | 5.3 | 9.4 | 10.1 | 2.0 | 0.75 | 7.7 | 6.3 | 4.5 | 2.3 | 5.3 | 4.6 |
| 182T/184T | 3.75 | 4.50/5.50 | 0.44 | 2.75 | 2.75 | 2.50 | 1.125 | 0.986 | 0.250 | 1.79 | 6207ZZ | 6205ZZ | 120 lbs. | | | | | |

- NOTES:
1. DIMENSION V REPRESENTS LENGTH OF STRAIGHT PART OF SHAFT
 2. MAIN CONDUIT BOX MAY BE ROTATED IN 90° INCREMENTS
 3. KEY DIMENSIONS EQUAL S x S x 1.75 (MOTOR SUPPLIED WITH KEY)
 4. MOTOR WEIGHT SHOWN IS MAXIMUM HORSEPOWER IN FRAME
 5. THIS DIMENSION EQUALS 2F FOR 182T MOUNTING
 6. STANDARD PRODUCT USE BI-DIRECTIONAL FAN. OPPOSITE ROTATION AVAILABLE ONLY BY CONNECTION CHANGE

CUSTOMER: _____ MOTOR MODEL NO.: _____ TAG NO's.: _____
 P.O. NO.: _____ HP: _____ VOLTAGE: _____ RPM(SYN.): _____ Hz: _____
 FRAME SIZE: _____ PRODUCT TYPE: IEFEC EOP III, EPACK, & HIGH EFFICIENCY BRAKE SERIES
 COMMENTS: 56,000 SERIES STEARNS BRAKE

 PER: _____ DATE: _____

TOSHIBA RESERVES THE RIGHT TO MAKE CHANGES OF TECHNICAL IMPROVEMENT AND THE DATA MAY CHANGE WITHOUT NOTICE PRELIMINARY
 DO NOT USE FOR CONSTRUCTION, INSTALLATION, OR APPLICATION PURPOSES UNLESS THE DRAWING IS MARKED AS CERTIFIED CERTIFIED

STANDARD (NO AUX. BOXES)
 RTD AUX. BOX
 SPACE HEATER AUX. BOX
 BEARING RTD's

TOSHIBA
 TOSHIBA INTERNATIONAL CORPORATION

TOTALLY-ENCLOSED FAN-COOLED
 HORIZONTAL FOOT-MOUNTED
 3 PHASE INDUCTION MOTOR
 F1 ASSEMBLY

XT SERIES
 VISIT OUR WEBSITE AT:
 www.toshiba.com/ind