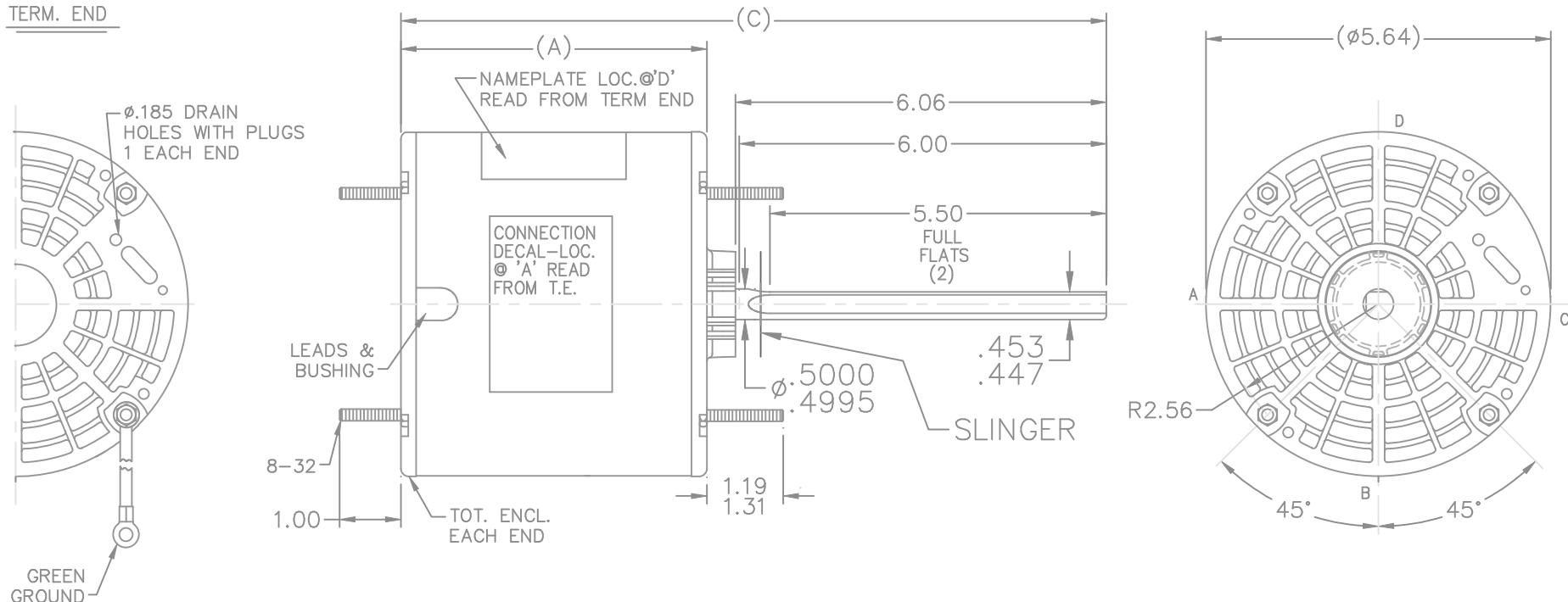


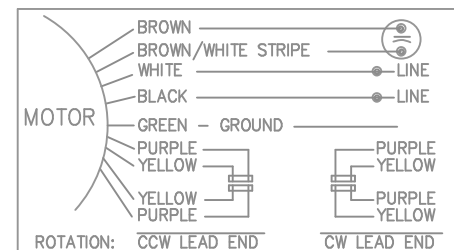
TERM. END



LEAD DESCRIPTION:

1 WHITE, 1BLACK, BARE WIRE STRIPPED .50, 30.00" LONG
 1 BROWN AND 1 BROWN WITH WHITE MARK WITH .25 FLAG TYPE QUICK CONNECT 30.00" LONG. BROWN LEAD WITH WHITE MARK IS COMMON TO WHITE.
 PURPLE AND YELLOW REVERSING LEADS ARE MOLDED INTO MATING PULL APART PLUGS 5.00" LONG.
 GREEN GROUND WITH TERM. FOR #10 SCREW 12.00" LONG.

DASH	FRAME	C	A
325	48Y	10.25	3.75
375	48Y	10.75	4.25
425	48Y	11.25	4.75
450	48Y	11.50	5.00
475	48Y	11.75	5.25



				TOLERANCES UNLESS SPECIFIED		 MARATHON ELECTRIC	DRAWN RP 09-01-2008				
				DEC.	INCHES		CHK SP 09-01-2008				
				.X	±.1		APPD NB 09-01-2008				
				.XX	±.03		SCALE 3=8				
				.XXX	±.005		REF SS400182				
				.XXXX	±.0005		FMF				
NO.	REVISION	BY & DATE	CHK	ANG	±7'30"	MAT'L.	PREV				
			RFP	09-01-2008		CAD FILE SS403766	SIZE A	DRAWING NO. SS403766	PAGE	OF	REV.
			DIST	WP							

THIS DRAWING IN DESIGN AND DETAIL IS OUR PROPERTY AND MUST NOT BE USED EXCEPT IN CONNECTION WITH OUR WORK ALL RIGHTS OF DESIGN AND INVENTION ARE RESERVED THIS IS AN ELECTRONICALLY GENERATED DOCUMENT - DO NOT SCALE THIS PRINT