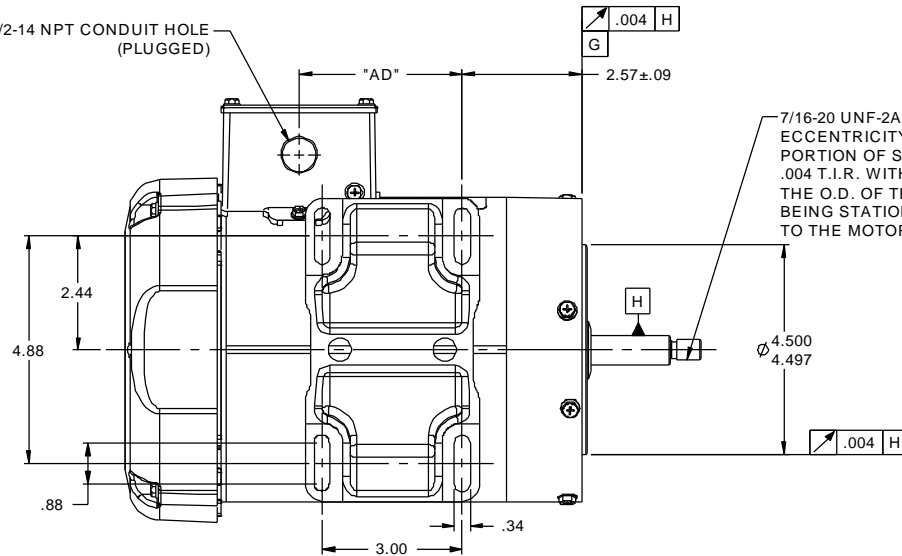


3/8-16 UNC-2B x .56 DEEP  
(4) REQ'D. ON A Ø5.875 B.C.

(1) 1/2-14 NPT CONDUIT HOLE  
(PLUGGED)

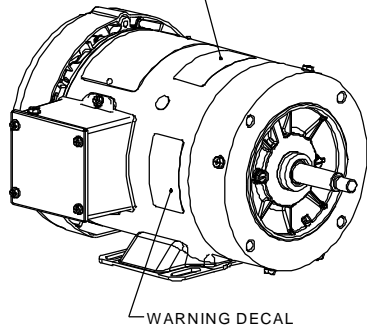


### WASHGUARD MOTOR

- SPECIAL FEATURES:
1. SHAFT SEALS & V-RING.
  2. PLUGGED DRAIN HOLES IN ENDBELLS & CONDUIT BOX.
  3. BUNA-N GASKETS THROUGHOUT.
  4. STAINLESS STEEL SHAFT, HARDWARE & NAMEPLATE.

| DASH NO. | "C"   | "AD" |
|----------|-------|------|
| 450      | 10.87 | 2.00 |
| 500      | 11.37 | 2.50 |
| 550      | 11.87 | 3.00 |
| 600      | 12.37 | 3.50 |
| 650      | 12.87 | 4.00 |
| 700      | 13.37 | 4.50 |

DRAIN HOLE  
DECAL



WARNING DECAL

| TOLERANCES UNLESS SPECIFIED |                        | marathon electric  | DRAWN UD 12/27/12     |
|-----------------------------|------------------------|--|-----------------------|
| DEC                         | INCHES                 |  |                       |
| X                           | ±.1                    | TITLE OUTLINE - 56J FRAME<br>TEFC - RIGID "C" FACE<br>MAT'L WASHGUARD - JET PUMP | APPR                  |
| XX                          | ±.03                   |  | SCALE 3:8             |
| XXX                         | ±.005                  |  | REF 607-0014          |
| XXXX                        | ±.0005                 |  | FMF 56TB4W99003       |
| NO                          | REVISION               | BY & DATE  | CHK LANG ±1/2° FINISH |
|                             | THIRD ANGLE PROJECTION | RFP  | PREV                  |
|                             |                        | NETWORK FILE NAME 607-0014ME   | SIZE B                |
|                             |                        |  | DRAWING NO 607-0014ME |
|                             |                        |  | PAGE OF               |
|                             |                        |  | REV                   |