

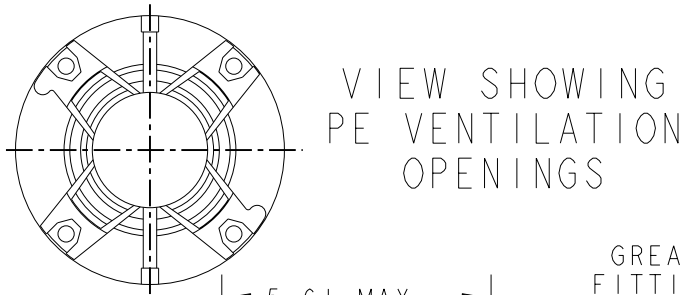
SHEET 1
 REV 10
 SIZE DRAWING NO. 52A101469
 A

THIRD ANGLE PROJECTION

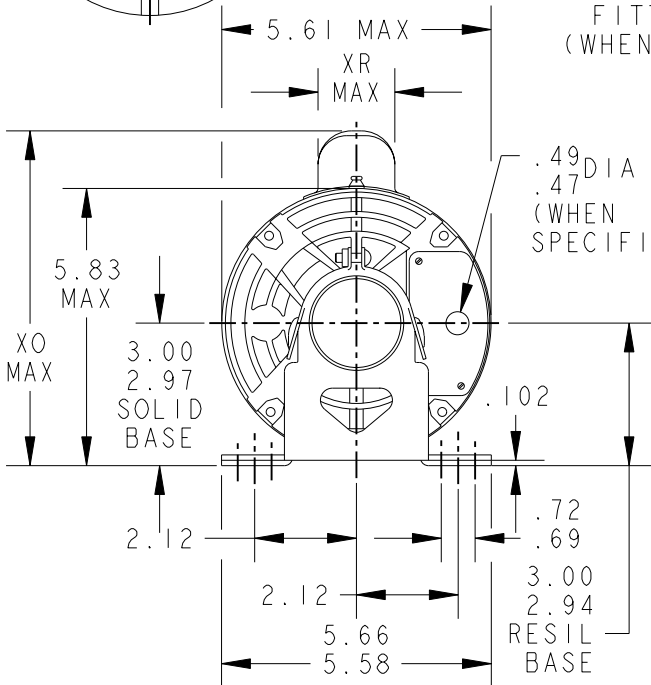


REVISIONS

REV.	DESCRIPTION	DATE	APPROVED
9	REDRAWN NO CHANGE T196-22390	07/10/96	MDP
10	CHG TO RBC FORMAT PER IS 05-1777	12/15/05	GOVARDAN



VIEW SHOWING
PE VENTILATION
OPENINGS

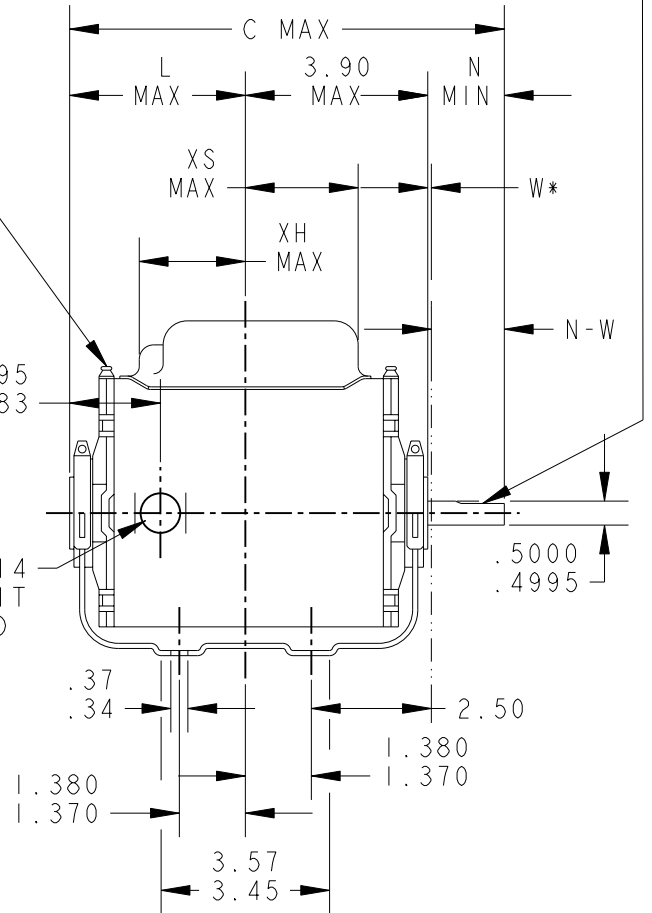


GREASE
FITTINGS
(WHEN SPEC)

.49 DIA
.47
(WHEN
SPECIFIED)

.500-14
CONDUIT
THREAD

.05 X (K) LG.
FULL FLAT



*W IS A CLEARANCE DUE TO VARIATION IN PARTS & ASSEMBLY.

7	KC	38	48	11.00	5.65	4.02	7.31	1.60	1.75	1.50	1.63/1.41	1.16
6	KC	35	48Z	10.32	4.22	2.59	7.93	2.22	1.97	2.25	2.38/2.16	1.91
5	KC	36	48	10.00	4.65	3.02	7.93	2.22	1.22	1.50	1.63/1.41	1.16
4	KC	37	48	10.40	5.05	3.42	7.31	1.60	2.35	1.50	1.63/1.41	1.16
3	KC	36	48	10.00	4.65	3.02	7.31	1.60	2.35	1.50	1.63/1.41	1.16
2	KC	35	48	9.57	4.22	2.59	7.31	1.60	1.97	1.50	1.63/1.41	1.16
1	KC	33	48	9.19	3.84	2.21	7.31	1.60	2.35	1.50	1.63/1.41	1.16

PT	TYPE	GE SIZE	NEMA FR	C	L	XH	XO	XR	XS	N	N-W	K
----	------	------------	------------	---	---	----	----	----	----	---	-----	---

SIGNATURES DATE

MODEL GLB 02/18/75

DETAIL . .

CHECKED . .

ENGRG . .

MFG . .

FOR ADDITIONAL INFO REFER TO:

APPLIED PRACTICES

DIMENSIONS ARE IN INCHES ✓

ISSUED MDP 07/10/96

MATERIAL

QUALITY . .

SOLID MODEL: 52A101469



REGAL-BELOIT CORPORATION

TITLE
OUTLINE
FORM N - GENERAL PURPOSE MOTOR - DRIP PROOF -
SOLID OR RESIL BASE - BALL OR SLEEVE BEARING

SIZE DRAWING A
52A101469 REV 10

SCALE: 1.000 REF. No: . SHEET 1 of 1