

4

3

2

1

GENERAL INFORMATION:

SHAFT RUNOUT: .001[.03] T.I.R. PER INCH LENGTH OF EXTENSION

END PLAY: .010[.25] TO .063[1.60]

BEARINGS: SLEEVE

MOUNTING POSITION: HORIZONTAL

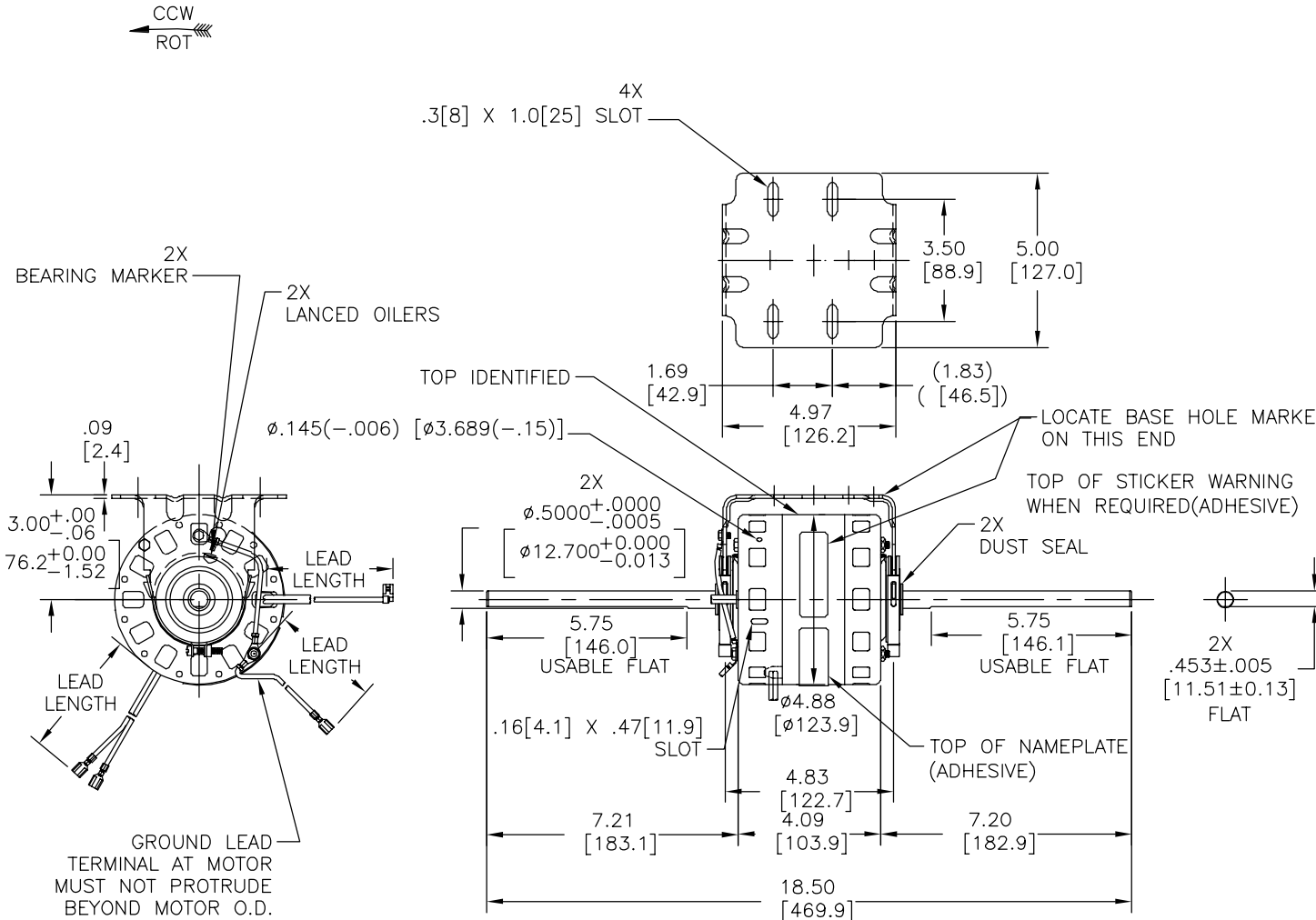
ELECTRICAL DATA:

OVERLOAD PROTECTOR: AUTOMATIC RESET (T.I. 7AM 034)

LEADS: NO. 18 GA., .06[1.5] THK., 125°C INSULATION

GROUND LEAD: NO. 18 GA., .03[.8] THK., GREEN INSULATION

REV	ECO	REV BY	DATE	APPD	DATE
E	0026394	H.ZHOU	05-29-2012	B.SHEN	05-29-2012



GREEN (GRD)	5.0/6.0 [127/152]	.25[6.4] FEMALE SPADE
GREEN (GRD)	CONNECTED TO BASE	#8 EYELET
BROWN	4.5/6.5 [114/165]	.25[6.4] FLAG
BROWN	4.5/6.5 [114/165]	.25[6.4] FLAG
2 CONDUIT RIPCORD	31.0/34.0 [787/864]	.25[6.4] FEMALE SPADE
2 CONDUIT RIPCORD	31.0/34.0 [787/864]	.25[6.4] FEMALE SPADE
COLOR	LENGTH	TERMINAL OR STRIP LENGTH

MAIN FRAME - OLE	OPEN
END FRAME - OLE	OPEN
MAIN FRAME - LE	OPEN
END FRAME - LE	OPEN

CUSTOMER	DISTRIBUTION SERVICE
----------	----------------------

NAMEPLATE DATA:	EXTERNAL CONNECTION DIAGRAM
MODEL NO.: 322P756 CUST. P/N: OWW4517 HP: 1/3 ROT.: CCWLE RPM: 1625 TYPE: FLL FRAME: 42Y VOLTS: 208-230 PH: 1 AMPS: 2.3 HZ: 50/60 INS.: A AMB.: 40° C DUTY: AIR COVER CAP.: 6 MFD/ 370V ENCL: OPEN UL LOGO CSA LOGO THERMALLY PROTECTED TYPE C	

PERFORMANCE CURVE NO.	TORQUE @ 1625 RPM (50°C)	APPROVED SAMPLE	UL COMPONENT		CSA	
C31778	19.7 OZ. FT.	322P684	FILE #	CCN #	FILE #	CLASS #
			E46412	PRGY2	LR43341	4211-01

GEOMETRIC CHARACTERISTICS & SYMBOLS

- ▮ FLATNESS
- STRAIGHTNESS
- ∠ ANGULARITY
- ⊥ PERPENDICULARITY (SQUARENESS)
- // PARALLELISM
- ROUNDNESS (CIRCULARITY)
- ⊘ CYLINDRICITY
- △ PROFILE OF ANY SURFACE
- ⌒ PROFILE OF ANY LINE
- ↑ RUNOUT
- ⊕ TRUE POSITION
- ◎ CONCENTRICITY
- = SYMMETRY

ASME Y14.5M 1994

REGAL-BELOIT CORPORATION (RBC) PROVIDES TECHNICAL ASSISTANCE TO OUR CUSTOMERS IN SEVERAL AREAS. SINCE RBC DOES NOT RECEIVE ALL DATA CONCERNING THE USE AND APPLICATION OF THE MOTOR, THE SUITABILITY OF THE MOTOR FOR THE APPLICATION MUST BE DETERMINED BY THE CUSTOMER.

DIMENSIONS WITHOUT TOLERANCES ARE FOR REFERENCE ONLY.

DR BY: J. RUPERT 05-05-2003

APPD: J. RUPERT 05-07-2003

THIRD ANGLE PROJECTION

EDS DATE 11-11-2011
FORMAT REV H

CONFIDENTIAL: THIS DRAWING AND ITS INFORMATION ARE THE EXCLUSIVE AND CONFIDENTIAL PROPERTY OF REGAL-BELOIT CORPORATION AND ARE NOT TO BE DISCLOSED, DUPLICATED, DISTRIBUTED OR OTHERWISE USED WITHOUT THE WRITTEN CONSENT OF REGAL-BELOIT CORPORATION. -ALL RIGHTS RESERVED.

REGAL REGAL-BELOIT CORPORATION

DESCRIPTION: MODEL-RFHP-42FR OUTLINE

SIZE C DWG NO 11927-048

SCALE NONE SHEET 1

4

3

2

1

4 3 2 1

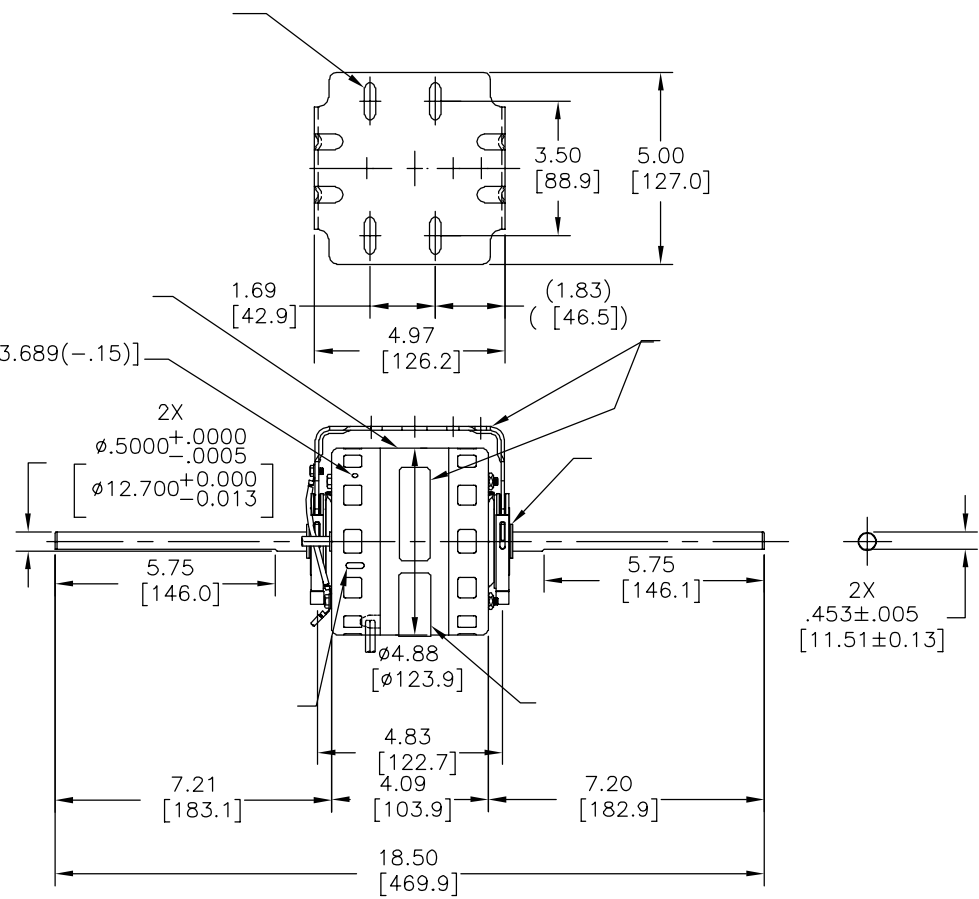
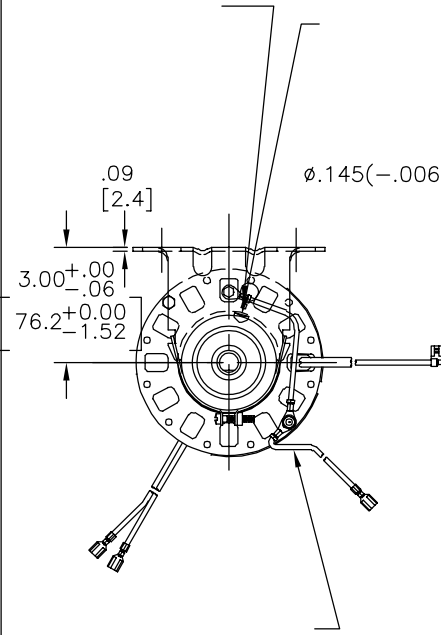
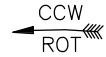
REVISION:	ECO	REVISADO POR:	FECHA:	APROBADO POR:	FECHA:
E	0026394	H.ZHOU	05-29-2012	B.SHEN	05-29-2012

INFORMACION GENERAL:

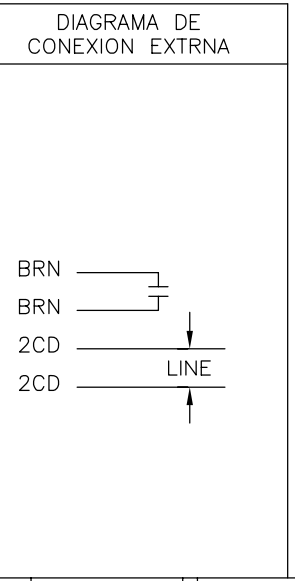
- OSCILACION DE FLECHA: -
- JUEGO AXIAL: -
- BALEROS: -
- POSICION DEL MONTAJE: -

INFORMACION ELECTRICICA:

- PROTECTOR DE SOBRECARGA: -
- CABLES: -
- CABLE DE TIERRA: -



INFORMACION DE ETIQUETA:
 MODEL NO.: 322P756
 CUST. P/N: OWW4517
 HP: 1/3
 ROT.: CCWLE
 RPM: 1625
 TYPE: FLL
 FRAME: 42Y
 VOLTS: 208-230
 PH: 1
 AMPS: 2.3
 HZ: 50/60
 INS.: A
 AMB.: 40° C
 DUTY: AIR COVER
 CAP.: 6 MFD/ 370V
 ENCL: OPEN
 UL LOGO
 CSA LOGO
 THERMALLY PROTECTED TYPE C



	5.0/6.0	[127/152]	
-	4.5/6.5	[114/165]	-
-	4.5/6.5	[114/165]	-
-	31.0/34.0	[787/864]	-
-	31.0/34.0	[787/864]	-

CARCASA - LOC	-
TAPA - LOC	-
CARCASA - LC	-
TAPA - LC	-

CLIENTE	DISTRIBUTION SERVICE
---------	----------------------

CURVAS DE FUNCIONAMIENTO	TORSION @ RPM (25°C)	MUESTRA APROBADA	COMPONENTE UL	CSA
C31778	19.7 OZ. FT.	322P684	#ARCHIVO PRGY2	LR43341 4211-01

CARACTERISTICAS DE GEOMETRIA Y SIMBOLOS:
 Z PLANICIDAD
 - RECTITUD
 < ANGULARIDAD
 ⊥ PERPENDICULARIDAD (A ESCUADRA)
 // PARALELISMO
 ○ REDONDEZ (CIRCULARIDAD)
 ∅ CILINDRICIDAD
 △ PERFIL DE CUALQUIER SUPERFICIE
 ∩ PERFIL DE CUALQUIER LINEA
 / VARIACION
 ⊕ POSICION REAL
 ⊙ CONCENTRICIDAD
 = SIMETRIA

REGAL-BELOIT CORPORATION (RBC) OTRA PROVEEDORA ASISTENCIA TECNICA A NUESTROS CLIENTES EN VARIAS AREAS. DESDE QUE RBC NO RECIBIÓ LOS DATOS EN RELACION AL USO Y A ANGULO DE PROYECCION DEL MOTOR, LA ELIMINACION ADECUADA DEL MOTOR DEBE SER DETERMINADA POR EL POLS. 003-411-1111 0.1-0.2 FILETEAR ESQUINAS EN 0.20 mm 0.5 MAQUINAR SUPERFICIES DIMENSIONES SIN TOLERANCIA SON DE REFERENCIA SOLAMENTE DIMS METRICAS MOSTRADAS [PARENTESIS]

DIBUJADO POR:	J. RUPERT	05-05-2003
APROBADO POR:	J. RUPERT	05-07-2003
TERCER ANGULO DE PROYECCION	FECHA EDS: 11-11-2011	REV. FORMATO: H

CONFIDENCIAL: ESTE DIBUJO Y SU INFORMACION SON PROPIEDAD DE REGAL-BELOIT CORPORATION, Y NO DEBERAN SER REVELADOS, DUPLICADOS, DISTRIBUIDOS O USARSE DE OTRA MANERA SIN EL CONSENTIMIENTO ESCRITO DE REGAL-BELOIT CORPORATION. -TODOS LOS DERECHOS RESERVADOS.

REGAL REGAL-BELOIT CORPORATION

DESCRIPCION: MODEL-RFHP-42FR OUTLINE

TAMAÑO: C NUMERO DE DIBUJO: 11927-048

ESCALA: NONE HOJA: 1

4 3 2 1

