



4

3

2

1

GENERAL INFORMATION:

SHAFT RUNOUT: .001[.02] T.I.R. PER 1.00[25.4] LENGTH OF EXTENSION.

BEARINGS: 203 BALL

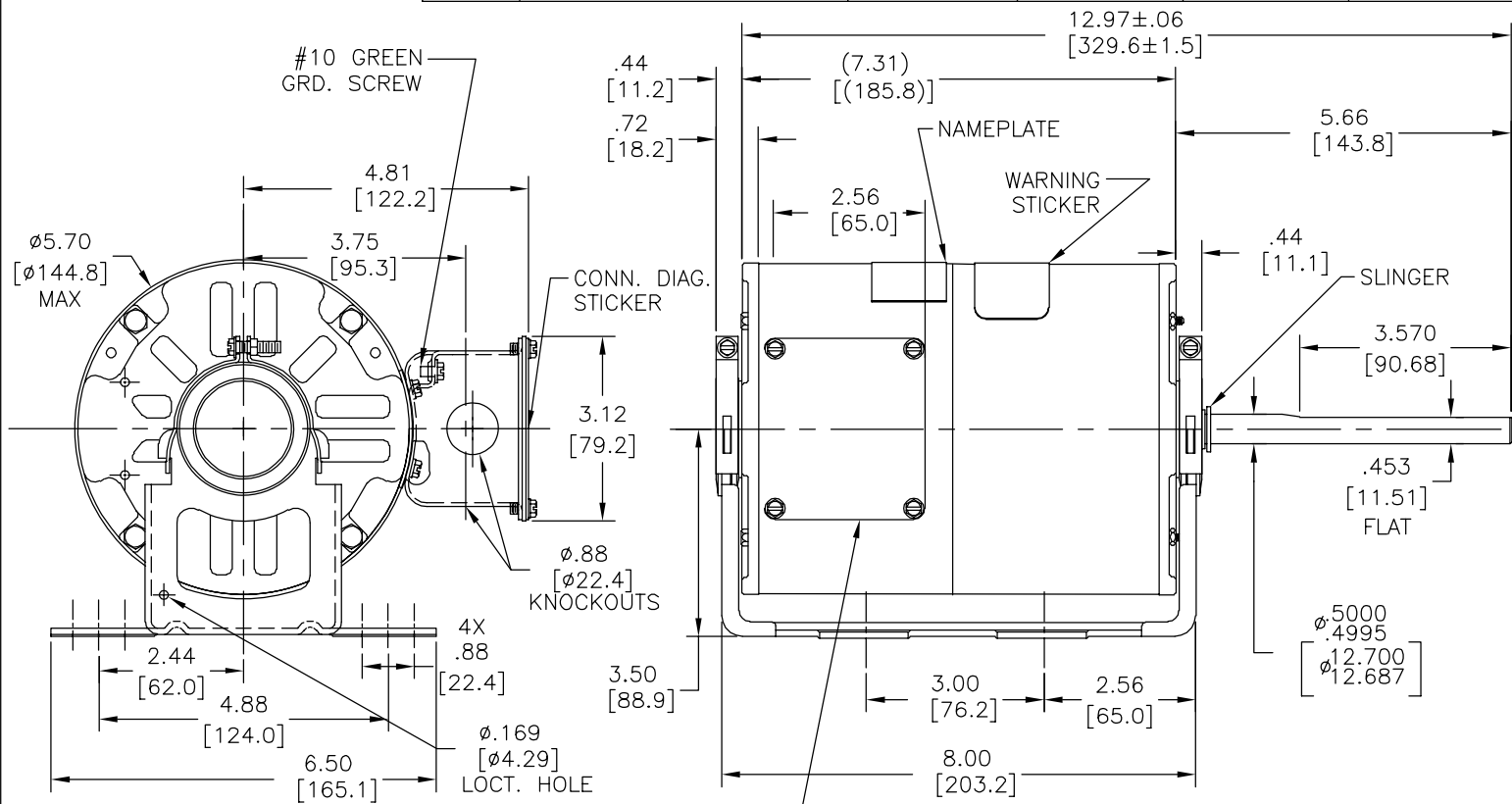
MOUNTING POSITION: RESILIENT BASE

ELECTRICAL DATA:

OVERLOAD PROTECTOR: AUTOMATIC RESET (SPENCER MWJ73KR)

LEADS: NO. 18 AWG STRANDED COPPER SINGLE CONDUCTOR WITH 2/64 CROSS LINKED POLYETHYLENO INSUL. 125°C

REV	ECO	REV BY	DATE	APPD	DATE
H	0037541	G. RODRIGUEZ	08-28-2013	TERESITA REYES	08-28-2013



BLACK	5.0/7.0 [127/178]	.50[12.7] SKIN
BLACK	5.0/7.0 [127/178]	.50[12.7] SKIN
BLACK	5.0/7.0 [127/178]	.50[12.7] SKIN
BLUE	5.0/7.0 [127/178]	.50[12.7] SKIN
BLUE	5.0/7.0 [127/178]	.50[12.7] SKIN
BLUE	5.0/7.0 [127/178]	.50[12.7] SKIN
YELLOW	5.0/7.0 [127/178]	.50[12.7] SKIN
YELLOW	5.0/7.0 [127/178]	.50[12.7] SKIN
YELLOW	5.0/7.0 [127/178]	.50[12.7] SKIN
RED	5.0/7.0 [127/178]	.50[12.7] SKIN
RED	5.0/7.0 [127/178]	.50[12.7] SKIN
RED	5.0/7.0 [127/178]	.50[12.7] SKIN
COLOR	LENGTH	TERMINAL OR STRIP LENGTH

MAIN FRAME - OLE	CLOSED
END FRAME - OLE	CLOSED
MAIN FRAME - LE	CLOSED
END FRAME - LE	OPEN

CUSTOMER	DISTRIBUTION SERVICE
----------	----------------------

NAMEPLATE DATA:	EXTERNAL CONNECTION DIAGRAM
MODEL NO.: P48SQ6V2 CUST. P/N: FB3056 HP: 1/2 ROT.: REVERSIBLE RPM: 1140 TYPE: UAP FRAME: 56Y VOLTS: 208-230/460 PH: 3 AMPS: 2.5/1.25 HZ: 60 INS.: B AMB.: 60° C DUTY: AIR COVER CAP.: - ENCL: SEMI-ENCL UL LOGO CSA LOGO THERMALLY PROTECTED MWJ73KR	<p>HI VOLTAGE</p> <p>⑩ ④ ⑦ ① L1</p> <p>⑪ ⑤ ⑧ ② L2</p> <p>⑫ ⑥ ⑨ ③ L3</p> <p>LO VOLTAGE</p> <p>⑩ ④ ⑦ ① L1</p> <p>⑪ ⑤ ⑧ ② L2</p> <p>⑫ ⑥ ⑨ ③ L3</p> <p>TO REVERSE, INTERCHANGE ANY 2 LINE LEADS 614131-045</p>

PERFORMANCE CURVE NO.	TORQUE @ 1140 RPM (25°C)	APPROVED SAMPLE	UL COMPONENT FILE #	CCN #	CSA FILE #	CLASS #
C24881	45.0 OZ. FT.	88AC119A	E46412	PRGY2	LR43341	4211-01

GEOMETRIC CHARACTERISTICS & SYMBOLS  
 □ FLATNESS  
 — STRAIGHTNESS  
 < ANGLARITY  
 ⊥ PERPENDICULARITY (SQUARENESS)  
 // PARALLELISM  
 ○ ROUNDNESS (CIRCULARITY)  
 ⌀ CYLINDRICITY  
 △ PROFILE OF ANY SURFACE  
 ∩ PROFILE OF ANY LINE  
 ↗ RUNOUT  
 ⊕ TRUE POSITION  
 ⊙ CONCENTRICITY  
 = SYMMETRY  
 ASME Y14.5M 1994

REGAL-BELOIT CORPORATION (RBC) PROVIDES TECHNICAL ASSISTANCE TO OUR CUSTOMERS IN SEVERAL AREAS. SINCE RBC DOES NOT RECEIVE ALL DATA CONCERNING THE USE AND APPLICATION OF THE MOTOR, THE SUITABILITY OF THE MOTOR FOR THE APPLICATION MUST BE DETERMINED BY THE CUSTOMER.  
 DIMENSIONS WITHOUT TOLERANCES ARE FOR REFERENCE ONLY.

DR BY: J. WILLIAMS 06-04-1990  
 APPD: M. FRENCH 06-04-1990  
 THIRD ANGLE PROJECTION  
 EDS DATE 11-11-2011  
 FORMAT REV H  
 CONFIDENTIAL: THIS DRAWING AND ITS INFORMATION ARE THE EXCLUSIVE AND CONFIDENTIAL PROPERTY OF REGAL-BELOIT CORPORATION AND ARE NOT TO BE DISCLOSED, DUPLICATED, DISTRIBUTED OR OTHERWISE USED WITHOUT THE WRITTEN CONSENT OF REGAL-BELOIT CORPORATION. -ALL RIGHTS RESERVED.

<b>REGAL REGAL-BELOIT CORPORATION</b>	
DESCRIPTION	
MODEL-RFHP-48FR OUTLINE	
SIZE C	DWG NO FB3056
SCALE NONE	SHEET 1

4

3

2

1

4

3

2

1

REVISION:	ECO	REVISADO POR:	FECHA:	APROBADO POR:	FECHA:
H	0037541	G. RODRIGUEZ	08-28-2013	TERESITA REYES	08-28-2013

**INFORMACION GENERAL:**

OSCILACION DE FLECHA: .001[.02] L.T.I. POR 1.00[25.4] DE LONG. DE EXTENSION

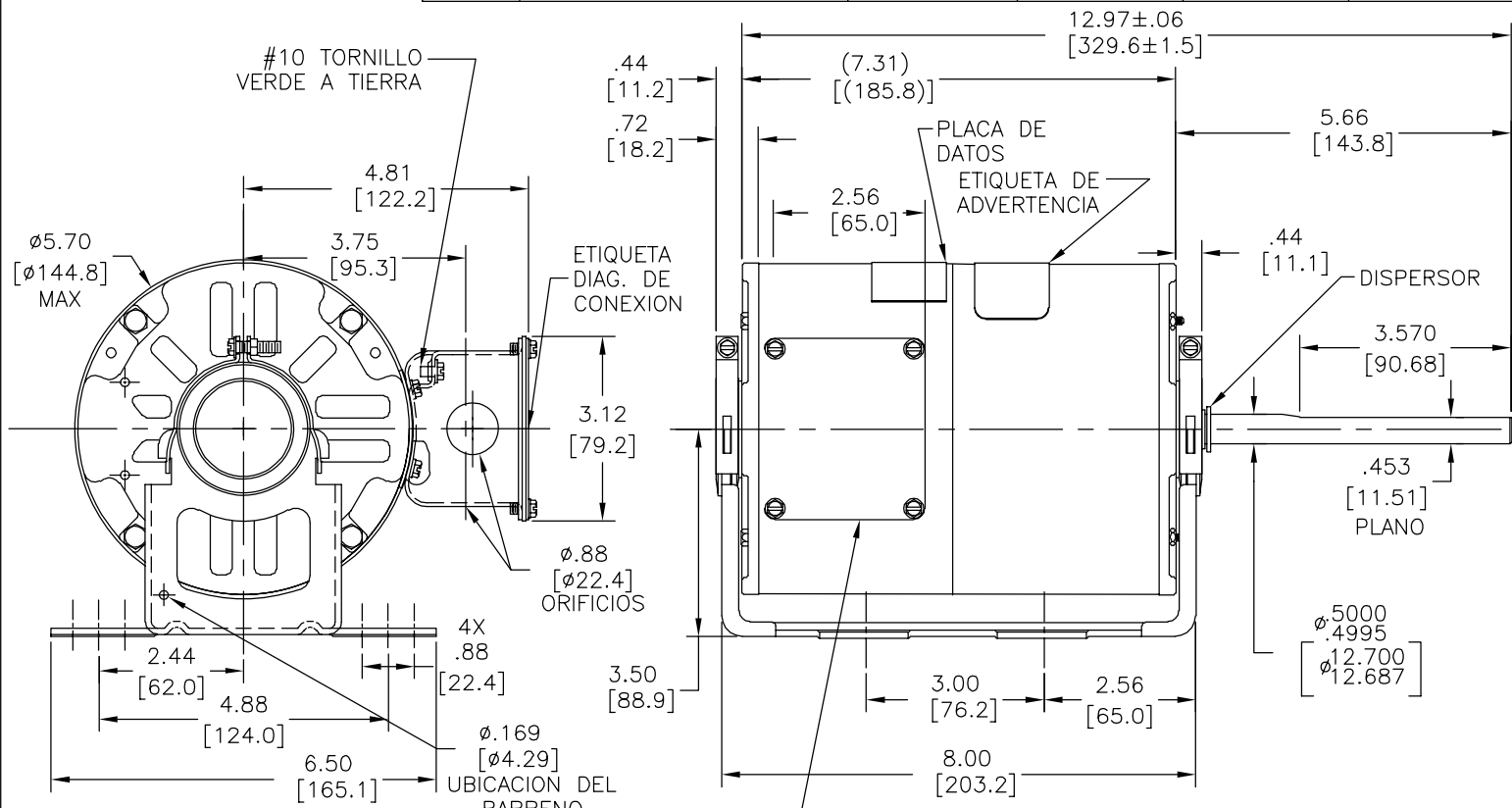
BALEROS: 203 DE BOLA

POSICION DEL MONTAJE: BASE AJUSTABLE

**INFORMACION ELECTRICA:**

PROTECTOR DE SOBRECARGA: REINICIO AUTOMATICO (SPENCER MWJ73KR)

CABLES: NO. 18 AWG CONDUCTOR DE COBRE SENCILLO CON 2/64 LIGADOS EN CRUZ POLIETILENO AISL. 125°C



NEGRO	5.0/7.0 [127/178]	.50[12.7] FORRO
NEGRO	5.0/7.0 [127/178]	.50[12.7] FORRO
NEGRO	5.0/7.0 [127/178]	.50[12.7] FORRO
AZUL	5.0/7.0 [127/178]	.50[12.7] FORRO
AZUL	5.0/7.0 [127/178]	.50[12.7] FORRO
AZUL	5.0/7.0 [127/178]	.50[12.7] FORRO
AMARILLO	5.0/7.0 [127/178]	.50[12.7] FORRO
AMARILLO	5.0/7.0 [127/178]	.50[12.7] FORRO
AMARILLO	5.0/7.0 [127/178]	.50[12.7] FORRO
ROJO	5.0/7.0 [127/178]	.50[12.7] FORRO
ROJO	5.0/7.0 [127/178]	.50[12.7] FORRO
ROJO	5.0/7.0 [127/178]	.50[12.7] FORRO
COLOR	LONGITUD	TERMINAL O LONGITUD DE DESFORRE

LONG. DEL CABLE DENTRO DE LA CAJA DE CONDUCTORES

CARCASA - LOC	CERRADO
TAPA - LOC	CERRADO
CARCASA - LC	CERRADO
TAPA - LC	ABIERTO
TIPO DE MOTOR	

CLIENTE	DISTRIBUTION SERVICE
---------	----------------------

INFORMACION DE ETIQUETA:	DIAGRAMA DE CONEXION EXTRNA
MODEL NO.: P48SQ6V2 CUST. P/N: FB3056 HP: 1/2 ROT.: REVERSIBLE RPM: 1140 TYPE: UAP FRAME: 56Y VOLTS: 208-230/460 PH: 3 AMPS: 2.5/1.25 HZ: 60 INS.: B AMB.: 60° C DUTY: AIR COVER CAP.: - ENCL: SEMI-ENCL UL LOGO CSA LOGO THERMALLY PROTECTED MWJ73KR	HI VOLTAGE  LO VOLTAGE  TO REVERSE, INTERCHANGE ANY 2 LINE LEADS 614131-045

CURVAS DE FUNCIONAMIENTO	TORSION @ 1140 RPM (25°C)	MUESTRA APROBADA	COMPONENTE UL	CSA
C24881	45.0 OZ. FT.	88AC119A	#ARCHIVO CCN #	#ARCHIVO CLASE #
			E46412 PRGY2	LR43341 4211-01

**CARACTERISTICAS DE GEOMETRIA Y SIMBOLOS**  
 ▽ PLANICIDAD  
 ⊥ RECTITUD  
 ∠ ANGULARIDAD  
 ⊥ PERPENDICULARIDAD (A ESCUADRA)  
 // PARALELISMO  
 ○ REDONDEZ (CIRCULARIDAD)  
 ∅ CILINDRICIDAD  
 △ PERFIL DE CUALQUIER SUPERFICIE  
 ∇ PERFIL DE CUALQUIER LINEA  
 ↗ VARIACION  
 ⊕ POSICION REAL  
 ⊙ CONCENTRICIDAD  
 = SIMETRIA  
 ASME Y14.5M 1994

REGAL-BELOIT CORPORATION (RBC) PROVEE ASISTENCIA TECNICA A NUESTROS CLIENTES EN VARIAS AREAS. DESDE QUE RBC NO RECIBE TODOS LOS DATOS EN RELACION AL USO Y A LA APLICACION DEL MOTOR, LA APLICACION ADECUADA DEL MOTOR DEBE SER DETERMINADA POR EL CLIENTE.  
 DIMENSIONES SIN TOLERANCIA SON DE REFERENCIA SOLAMENTE

DIBUJADO POR: J. WILLIAMS 06-04-1990  
 APROBADO POR: M. FRENCH 06-04-1990  
 TERCER ANGULO DE PROYECCION  
 CONFIDENCIAL: ESTE DIBUJO Y SU INFORMACION SON PROPIEDAD DE USO EXCLUSIVO Y CONFIDENCIAL DE REGAL-BELOIT CORPORATION. Y NO DEBERAN SER REVELADOS, DUPLICADOS, DISTRIBUIDOS O USARSE DE OTRA MANERA SIN EL CONSENTIMIENTO ESCRITO DE REGAL-BELOIT CORPORATION. -TODOS LOS DERECHOS RESERVADOS.

**REGAL REGAL-BELOIT CORPORATION**

DESCRIPCION: MODEL-RFHP-48FR OUTLINE

TAMAÑO: C NUMERO DE DIBUJO: FB3056

ESCALA: NONE HOJA: 1

4

3

2

1