

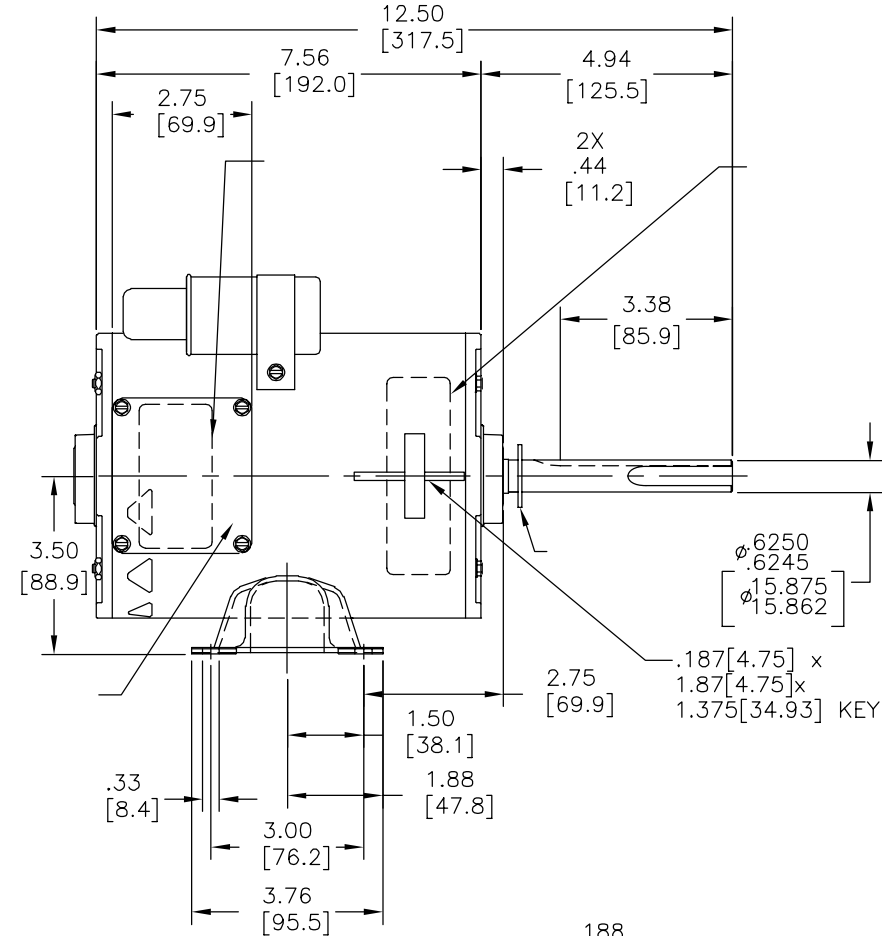
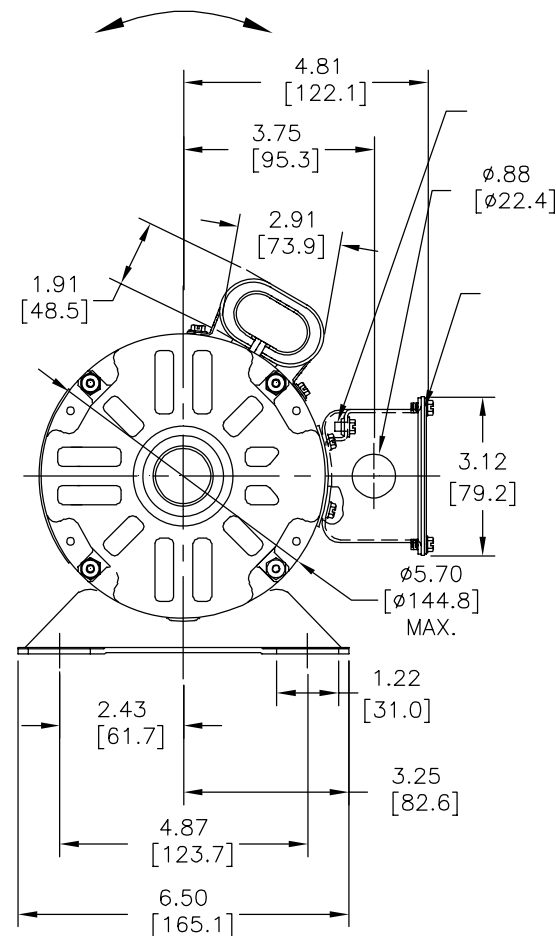
4

3

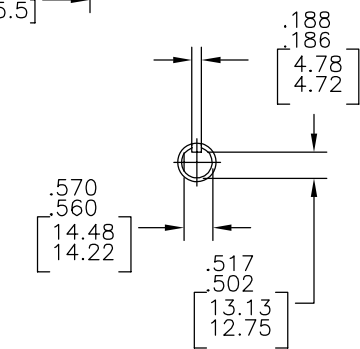
2

1

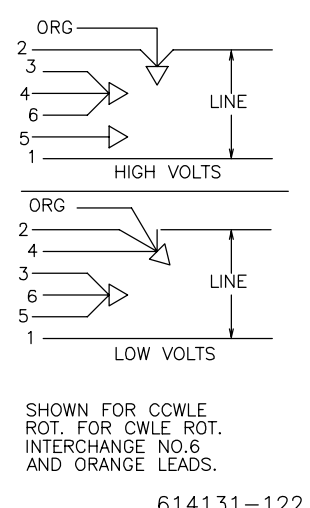
版本	ECO	编制	日期	批准	日期
C	0038331	G. RODRIGUEZ	09-18-2013	TERESITA REYES	09-18-2013



		.25[6.4]
		.25[6.4]
	6.0/7.0 [152/178]	.50[12.7]
	6.0/7.0 [152/178]	.50[12.7]
	6.0/7.0 [152/178]	.50[12.7]
	6.0/7.0 [152/178]	.50[12.7]
	6.0/7.0 [152/178]	.50[12.7]
	6.0/7.0 [152/178]	.50[12.7]
	6.0/7.0 [152/178]	.50[12.7]
	6.0/7.0 [152/178]	.50[12.7]



MODEL NO.: F48SX6V22
 CUST. P/N: FR1106
 HP: 1
 ROT.: REVERSIBLE
 RPM: 1075
 TYPE: UF
 FRAME: 56Y
 VOLTS: 208-230/460
 PH: 1
 AMPS: 7.6/3.8 MAX AMPS:9.0/4.5
 HZ: 60
 INS.: B
 AMB.: 60° C
 DUTY: AIR OVER
 CAP.: 17.5 MFD/370V
 ENCL: SEMI-ENCL
 UL LOGO
 CSA LOGO
 THERMALLY PROTECTED



614131-122

C20443	77.9 OZ. FT.	SV2038	E46412	PRGY2	LR43341	4211-01
--------	--------------	--------	--------	-------	---------	---------

- 形位公差
- 平面度
- 直线度
- ∠ 倾斜度
- ⊥ 垂直度
- // 平行度
- 圆度
- ⊘ 圆柱度
- ⊙ 面轮廓度
- △ 面轮廓度
- ⌒ 线轮廓度
- ⌒ 圆跳动
- ⊕ 位置度
- ⊙ 同轴度
- ≡ 对称度

ASME Y14.5M 1994

REGAL-BELOIT CORPORATION (RBC) 在个别领域为客户提供技术支持。鉴于RBC未收到任何涉及电机使用和应用环境的数据，电机的适用性由客户自己决定。

未注公差尺寸仅供参考。

绘图:	J.ZHU	03-08-2012
批准:	B.SHEN	03-08-2012
第三角投影		图纸格式发布日期 11-11-2011 图纸格式版本 H
机密: 本图纸及相关信息所有权归REGAL-BELOIT CORPORATION 未经REGAL-BELOIT CORPORATION书面授权, 不得泄露、复制、传播或作其他用途。—版权所有		

REGAL REGAL-BELOIT CORPORATION

名称: MODEL-RFHP-48FR OUTLINE

图幅: C 图号: FR1106

比例: NONE 页号: 1

4

3

2

1

4

3

2

1

GENERAL INFORMATION:

SHAFT RUNOUT: .001[.03] T.I.R. PER INCH LENGTH OF EXTENSION

BEARINGS: BALL

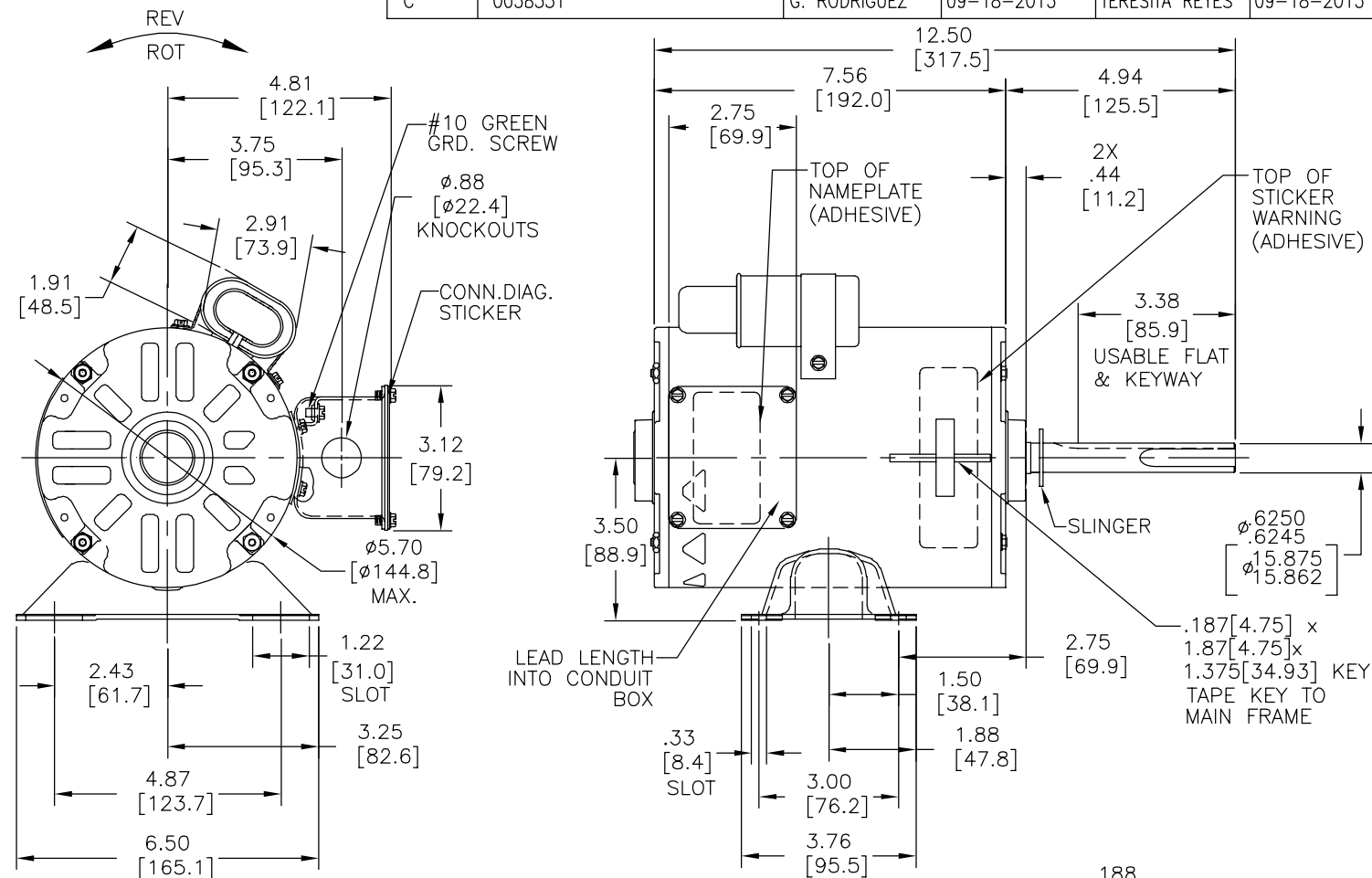
MOUNTING POSITION: HORIZONTAL/VERTICLE SHAFT UP

ELECTRICAL DATA:

OVERLOAD PROTECTOR: AUTOMATIC RESET (SENSATA 7AM 036)

LEADS: NO. 18 GA., .03[.8] THK., 125°C INSUL.

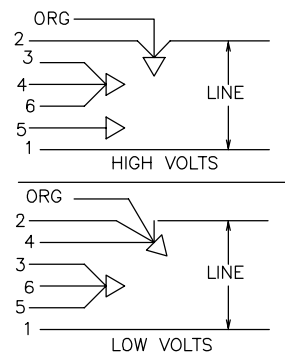
REV	ECO	REV BY	DATE	APPD	DATE
C	0038331	G. RODRIGUEZ	09-18-2013	TERESITA REYES	09-18-2013



NAMEPLATE DATA:

EXTERNAL CONNECTION DIAGRAM

MODEL NO.: F48SX6V22
 CUST. P/N: FR1106
 HP: 1
 ROT.: REVERSIBLE
 RPM: 1075
 TYPE: UF
 FRAME: 56Y
 VOLTS: 208-230/460
 PH: 1
 AMPS: 7.6/3.8 MAX AMPS:9.0/4.5
 HZ: 60
 INS.: B
 AMB.: 60° C
 DUTY: AIR OVER
 CAP.: 17.5 MFD/370V
 ENCL: SEMI-ENCL
 UL LOGO
 CSA LOGO
 THERMALLY PROTECTED



SHOWN FOR CCWLE ROT. FOR CWLE ROT. INTERCHANGE NO.6 AND ORANGE LEADS.

614131-122

ORANGE	CONNECTED TO CAPACITOR	.25[6.4] FLAG
BROWN	CONNECTED TO CAPACITOR	.25[6.4] FLAG
ORANGE	6.0/7.0 [152/178]	.50[12.7] SKIN
RED 1	6.0/7.0 [152/178]	.50[12.7] SKIN
RED 2	6.0/7.0 [152/178]	.50[12.7] SKIN
RED 3	6.0/7.0 [152/178]	.50[12.7] SKIN
YELLOW 4	6.0/7.0 [152/178]	.50[12.7] SKIN
YELLOW 5	6.0/7.0 [152/178]	.50[12.7] SKIN
YELLOW 6	6.0/7.0 [152/178]	.50[12.7] SKIN
COLOR	LENGTH	TERMINAL OR STRIP LENGTH

MAIN FRAME - OLE	ENCLOSED
END FRAME - OLE	ENCLOSED
MAIN FRAME - LE	SEMI-ENCLOSED
END FRAME - LE	OPEN

CUSTOMER	DISTRIBUTION SERVICE
----------	----------------------

PERFORMANCE CURVE NO.	TORQUE @ 1075 RPM (25°C)	APPROVED SAMPLE	UL COMPONENT FILE #	CSA CCN #	FILE #	CLASS #
C20443 C20444 C20446	77.9 OZ. FT.	SV2038	E46412	PRGY2	LR43341	4211-01

GEOMETRIC CHARACTERISTICS & SYMBOLS
 ▢ FLATNESS
 - STRAIGHTNESS
 < ANGLARITY
 ⊥ PERPENDICULARITY (SQUARENESS)
 // PARALLELISM
 ○ ROUNDNESS (CIRCULARITY)
 ⌀ CYLINDRICITY
 △ PROFILE OF ANY SURFACE
 ▽ PROFILE OF ANY LINE
 ↗ RUNOUT
 ⊕ TRUE POSITION
 ⊙ CONCENTRICITY
 = SYMMETRY
 ASME Y14.5M 1994

REGAL-BELOIT CORPORATION (RBC) PROVIDES TECHNICAL ASSISTANCE TO OUR CUSTOMERS IN SEVERAL AREAS. SINCE RBC DOES NOT RECEIVE ALL DATA CONCERNING THE USE AND APPLICATION OF THE MOTOR, THE SUITABILITY OF THE MOTOR FOR THE APPLICATION MUST BE DETERMINED BY THE CUSTOMER.

DIMENSIONS WITHOUT TOLERANCES ARE FOR REFERENCE ONLY.

DR BY: J.ZHU 03-08-2012
 APPD: B.SHEN 03-08-2012
 THIRD ANGLE PROJECTION
 EDS DATE 11-11-2011
 FORMAT REV H
 CONFIDENTIAL: THIS DRAWING AND ITS INFORMATION ARE THE EXCLUSIVE AND CONFIDENTIAL PROPERTY OF REGAL-BELOIT CORPORATION AND ARE NOT TO BE DISCLOSED, DUPLICATED, DISTRIBUTED OR OTHERWISE USED WITHOUT THE WRITTEN CONSENT OF REGAL-BELOIT CORPORATION. -ALL RIGHTS RESERVED.

REGAL REGAL-BELOIT CORPORATION
 DESCRIPTION: MODEL-RFHP-48FR OUTLINE
 SIZE: C DWG NO: FR1106
 SCALE: NONE SHEET: 1

4

3

2

1

4

3

2

1

INFORMACION GENERAL:

OSCILACION DE FLECHA: .001[.03] L.T.I. POR PULGADA LONGITUD DE EXTENSION

BALEROS: BOLA

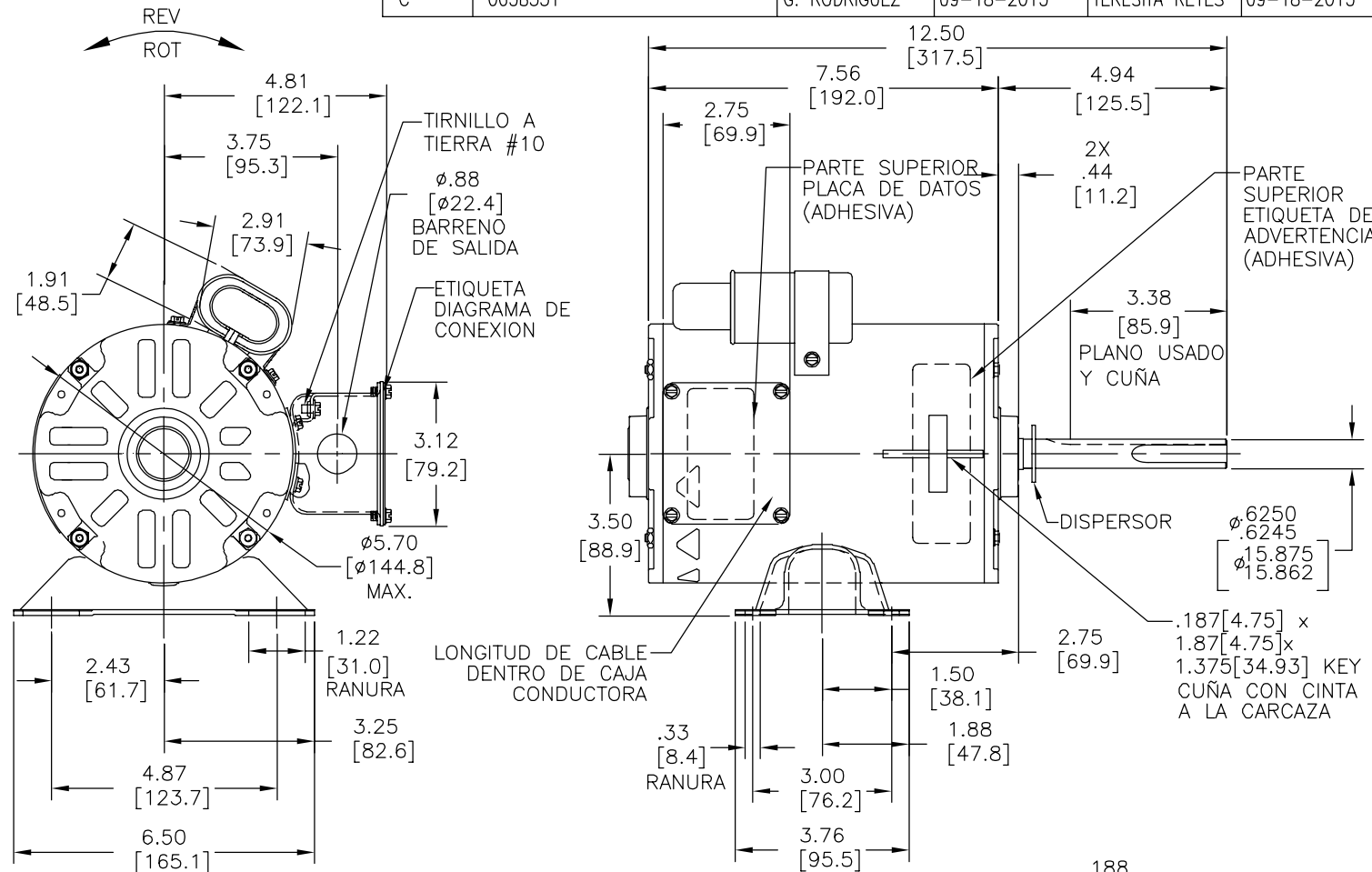
POSICION DEL MONTAJE: HORIZONTAL/VERTICAL FLECHA ARRIBA

INFORMACION ELECTRICA:

PROTECTOR DE SOBRECARGA: REINICIO AUTOMATICO (SENSATA 7AM 036)

CABLES: CALIBRE NO. 18, .03[.8] ESPESOR, 125°C AISLANTE

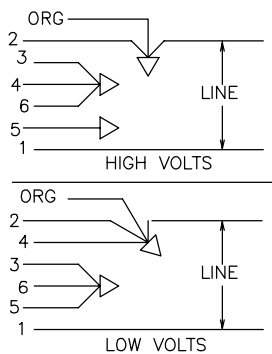
REVISION:	ECO	REVISADO POR:	FECHA:	APROBADO POR:	FECHA:
C	0038331	G. RODRIGUEZ	09-18-2013	TERESITA REYES	09-18-2013



PLACA DE DATOS:

DIAGRAMA CONEXION EXTERNA

MODEL NO.: F48SX6V22
 CUST. P/N: FR1106
 HP: 1
 ROT.: REVERSIBLE
 RPM: 1075
 TYPE: UF
 FRAME: 56Y
 VOLTS: 208-230/460
 PH: 1
 AMPS: 7.6/3.8 MAX AMPS:9.0/4.5
 HZ: 60
 INS.: B
 AMB.: 60° C
 DUTY: AIR OVER
 CAP.: 17.5 MFD/370V
 ENCL: SEMI-ENCL
 UL LOGO
 CSA LOGO
 THERMALLY PROTECTED



SHOWN FOR CCWLE
 ROT. FOR CWLE ROT.
 INTERCHANGE NO.6
 AND ORANGE LEADS.

614131-122

CURVAS DE FUNCIONAMIENTO	TORSION @ 1075 RPM (25°C)	MUESTRA APROBADA	COMPONENTE UL	CSA
C20443 C20444 C20446	77.9 OZ. FT.	SV2038	#ARCHIVO CCN #	#ARCHIVO CLASE #
			E46412 PRGY2	LR43341 4211-01

ANARANJADO	CONECTADO AL CAPACITOR	.25[6.4] BANDERA
CAFE	CONECTADO AL CAPACITOR	.25[6.4] BANDERA
ANARANJADO	6.0/7.0 [152/178]	.50[12.7] FORRO
ROJO 1	6.0/7.0 [152/178]	.50[12.7] FORRO
ROJO 2	6.0/7.0 [152/178]	.50[12.7] FORRO
ROJO 3	6.0/7.0 [152/178]	.50[12.7] FORRO
AMARILLO 4	6.0/7.0 [152/178]	.50[12.7] FORRO
AMARILLO 5	6.0/7.0 [152/178]	.50[12.7] FORRO
AMARILLO 6	6.0/7.0 [152/178]	.50[12.7] FORRO
COLOR	LONGITUD	TERMINAL O LONGITUD DE DESFORRE

CARCASA - LOC	CERRADO
TAPA - LOC	CERRADO
CARCASA - LC	SEMI-CERRADO
TAPA - LC	ABIERTO

CLIENTE	SERVICIO DE DISTRIBUCION
---------	--------------------------

CARACTERISTICAS DE GEOMETRIA Y SIMBOLOS
 □ PLANICIDAD
 — RECTITUD
 < ANGULARIDAD
 ⊥ PERPENDICULARIDAD (A ESCUADRA)
 // PARALELISMO
 ○ REDONDEZ (CIRCULARIDAD)
 ∅ CILINDRICIDAD
 △ PERFIL DE CUALQUIER SUPERFICIE
 ∩ PERFIL DE CUALQUIER LINEA
 ↗ VARIACION
 ⊕ POSICION REAL
 ⊙ CONCENTRICIDAD
 = SIMETRIA

REGAL-BELOIT CORPORATION (RBC) PROVEE ASISTENCIA TECNICA A NUESTROS CLIENTES EN VARIAS AREAS. DESDE QUE RBC NO RECIBE TODOS LOS DATOS EN RELACION AL USO Y A LA APLICACION DEL MOTOR, LA APLICACION ADECUADA DEL MOTOR DEBE SER DETERMINADA POR EL CLIENTE.

DIMENSIONES SIN TOLERANCIA SON DE REFERENCIA SOLAMENTE

DIBUJADO POR: J.ZHU 03-08-2012
 APROBADO POR: B.SHEN 03-08-2012
 TERCER ANGULO DE PROYECCION
 CONFIDENCIAL: ESTE DIBUJO Y SU INFORMACION SON PROPIEDAD DE USO EXCLUSIVO Y CONFIDENCIAL DE REGAL-BELOIT CORPORATION. Y NO DEBERAN SER REVELADOS, DUPLICADOS, DISTRIBUIDOS O USARSE DE OTRA MANERA SIN EL CONSENTIMIENTO ESCRITO DE REGAL-BELOIT CORPORATION. -TODOS LOS DERECHOS RESERVADOS.

REGAL REGAL-BELOIT CORPORATION
 DESCRIPCION: MODEL-RFHP-48FR OUTLINE
 TAMAÑO: C NUMERO DE DIBUJO: FR1106
 ESCALA: NONE HOJA: 1

4

3

2

1