

4

3

2

1

GENERAL INFORMATION:

SHAFT RUNOUT: .001[.02] T.I.R. PER INCH LENGTH OF EXTENSION.

BEARINGS: BALL

MOUNTING POSITION: VERTICLE SHAFT UP

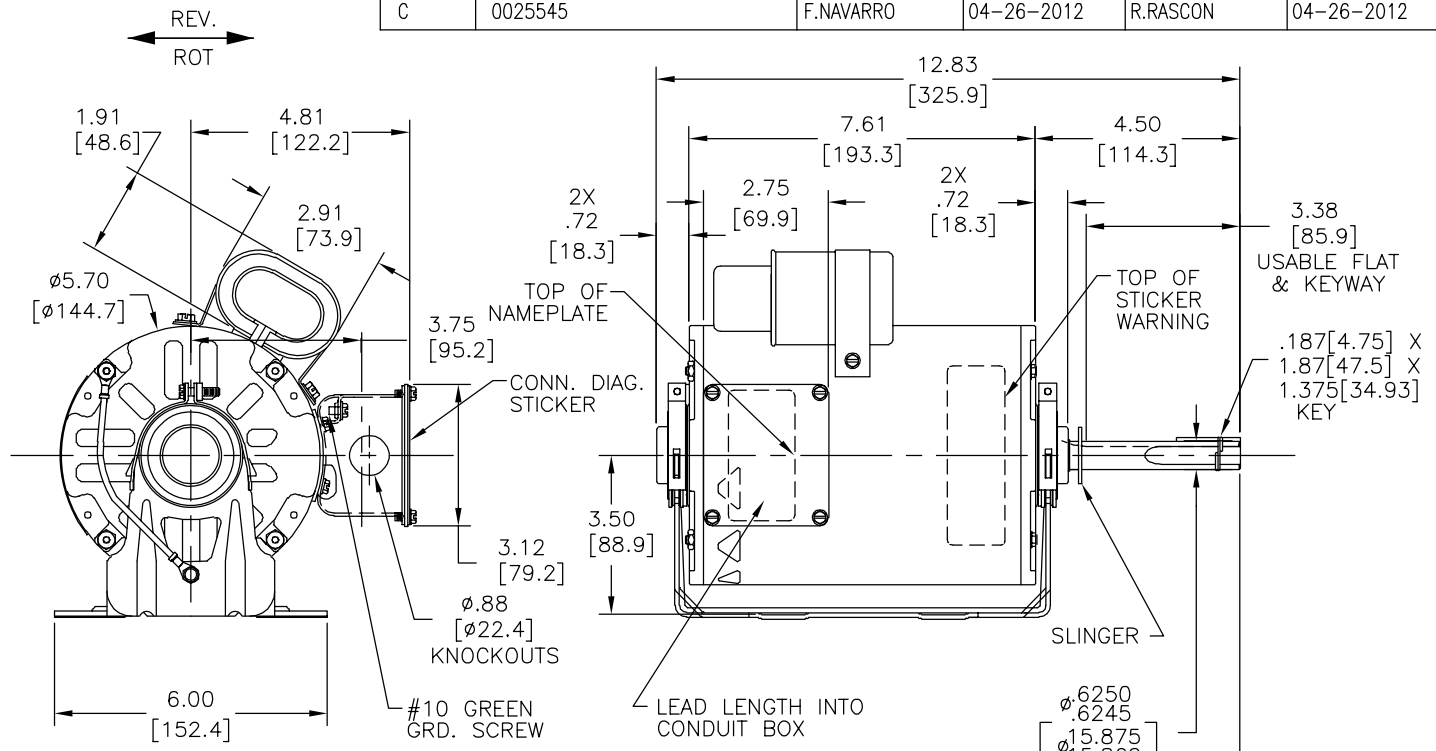
ELECTRICAL DATA:

OVERLOAD PROTECTOR: AUTOMATIC RESET (T.I. 7AM 036)

LEADS: NO. 18 GA., .03[.8] THK., 125' INSUL.

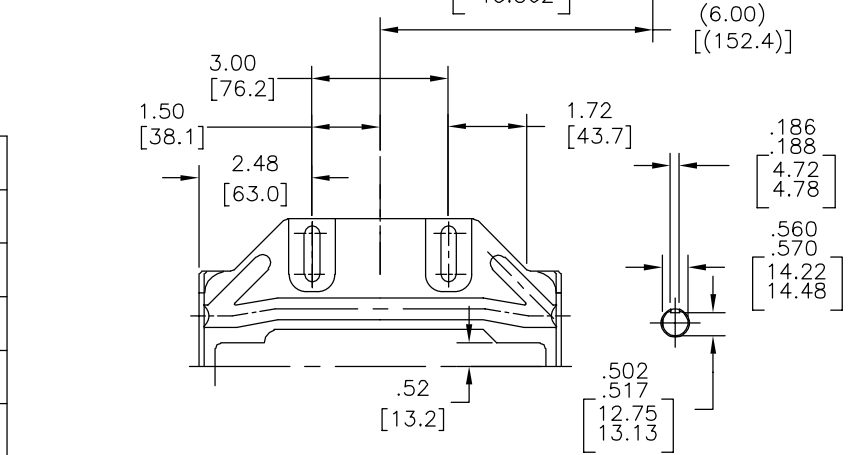
GROUND LEAD: NO. 18 GA., .03[.8] THK., (GREEN) INSUL.

| REV | ECO | REV BY | DATE | APPD | DATE |
|-----|---------|-----------|------------|----------|------------|
| C | 0025545 | F.NAVARRO | 04-26-2012 | R.RASCON | 04-26-2012 |



| NAMEPLATE DATA: | EXTERNAL CONNECTION DIAGRAM |
|--|-----------------------------|
| MODEL NO.: F48SX6V13A1 CUST. P/N: FB1106 HP: 1.0 ROT.: REVERSIBLE RPM: 1075 TYPE: UF FRAME: 56Y VOLTS: 208-230/460 PH: 1 AMPS: 7.6/3.8 HZ: 60 INS.: B AMB.: 60° C DUTY: AIR OVER CAP.: 17.5 MFD/440 V UL & CSA LOGOS THERMALLY PROTECTED SEMI-ENCL. | |

| COLOR | LENGTH | TERMINAL OR STRIP LENGTH |
|----------------|------------------------|--------------------------|
| GREEN (GROUND) | CONNECTED TO BASE | #8 EYELET |
| ORANGE | CONNECTED TO CAPACITOR | .25[6.4] FLAG |
| BROWN | CONNECTED TO CAPACITOR | .25[6.4] FLAG |
| ORANGE | 6/7 [152/178] | .50[12.7] SKIN |
| RED 1 | 6/7 [152/178] | .50[12.7] SKIN |
| RED 2 | 6/7 [152/178] | .50[12.7] SKIN |
| RED 3 | 6/7 [152/178] | .50[12.7] SKIN |
| YELLOW 4 | 6/7 [152/178] | .50[12.7] SKIN |
| YELLOW 5 | 6/7 [152/178] | .50[12.7] SKIN |
| YELLOW 6 | 6/7 [152/178] | .50[12.7] SKIN |



| PERFORMANCE CURVE NO. | TORQUE @ 1100 RPM (25°C) | APPROVED SAMPLE | UL COMPONENT | CSA |
|----------------------------|--------------------------|-----------------|--------------|-----------------|
| C20443 C20444 C20446 | 105.6 OZ.-FT. | EX10180 | E46412 PRGY2 | LR43341 260-Ø-0 |

| MAIN FR. - OLE | ENCLOSURE | CUSTOMER | AMMO |
|----------------|----------------|----------|------|
| END FR. - OLE | ENCLOSURE | | |
| MAIN FR. - LE | SEMI-ENCLOSURE | | |
| END FR. - LE | OPEN | | |

GEOMETRIC CHARACTERISTICS & SYMBOLS
 ▭ FLATNESS
 - STRAIGHTNESS
 ∠ ANGULARITY
 ⊥ PERPENDICULARITY (SQUARENESS)
 // PARALLELISM
 ○ ROUNDNESS (CIRCULARITY)
 ∅ CYLINDRICITY
 △ PROFILE OF ANY SURFACE
 ∩ PROFILE OF ANY LINE
 ↑ RUNOUT
 ⊕ TRUE POSITION
 ⊙ CONCENTRICITY
 = SYMMETRY
 ASME Y14.5M 1994

REGAL-BELOIT CORPORATION (RBC) PROVIDES TECHNICAL ASSISTANCE TO OUR CUSTOMERS IN SEVERAL AREAS. SINCE RBC DOES NOT RECEIVE ALL DATA CONCERNING THE USE AND APPLICATION OF THE MOTOR, THE SUITABILITY OF THE MOTOR FOR THE APPLICATION MUST BE DETERMINED BY THE CUSTOMER.
 DIMENSIONS WITHOUT TOLERANCES ARE FOR REFERENCE ONLY.

DR BY: GORDON 10-30-2002
 APPD:
 THIRD ANGLE PROJECTION
 EDS DATE 11-11-2011
 FORMAT REV G
 CONFIDENTIAL: THIS DRAWING AND ITS INFORMATION ARE THE EXCLUSIVE AND CONFIDENTIAL PROPERTY OF REGAL-BELOIT CORPORATION AND ARE NOT TO BE DISCLOSED, DUPLICATED, DISTRIBUTED OR OTHERWISE USED WITHOUT THE WRITTEN CONSENT OF REGAL-BELOIT CORPORATION. -ALL RIGHTS RESERVED.

REGAL-BELOIT CORPORATION
 DESCRIPTION: MODEL-RFHP-48FR OUTLINE
 SIZE C DWG NO 12370-002
 SCALE NONE SHEET 1

4

3

2

1

4

3

2

1

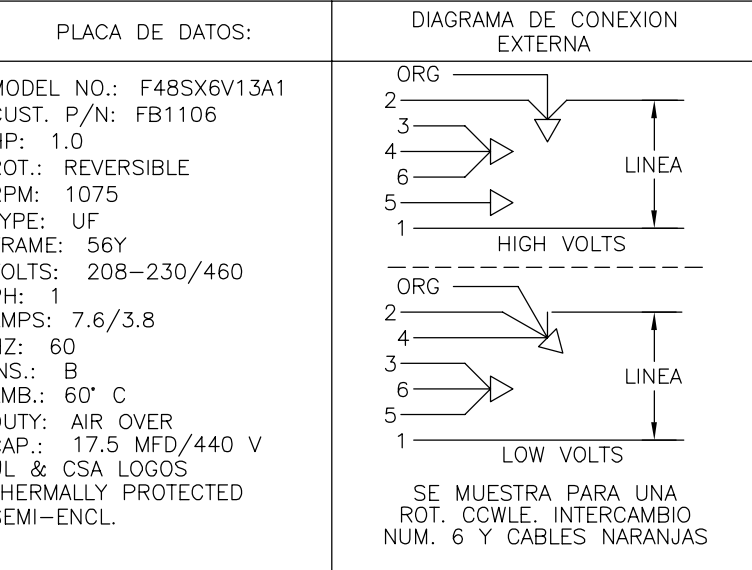
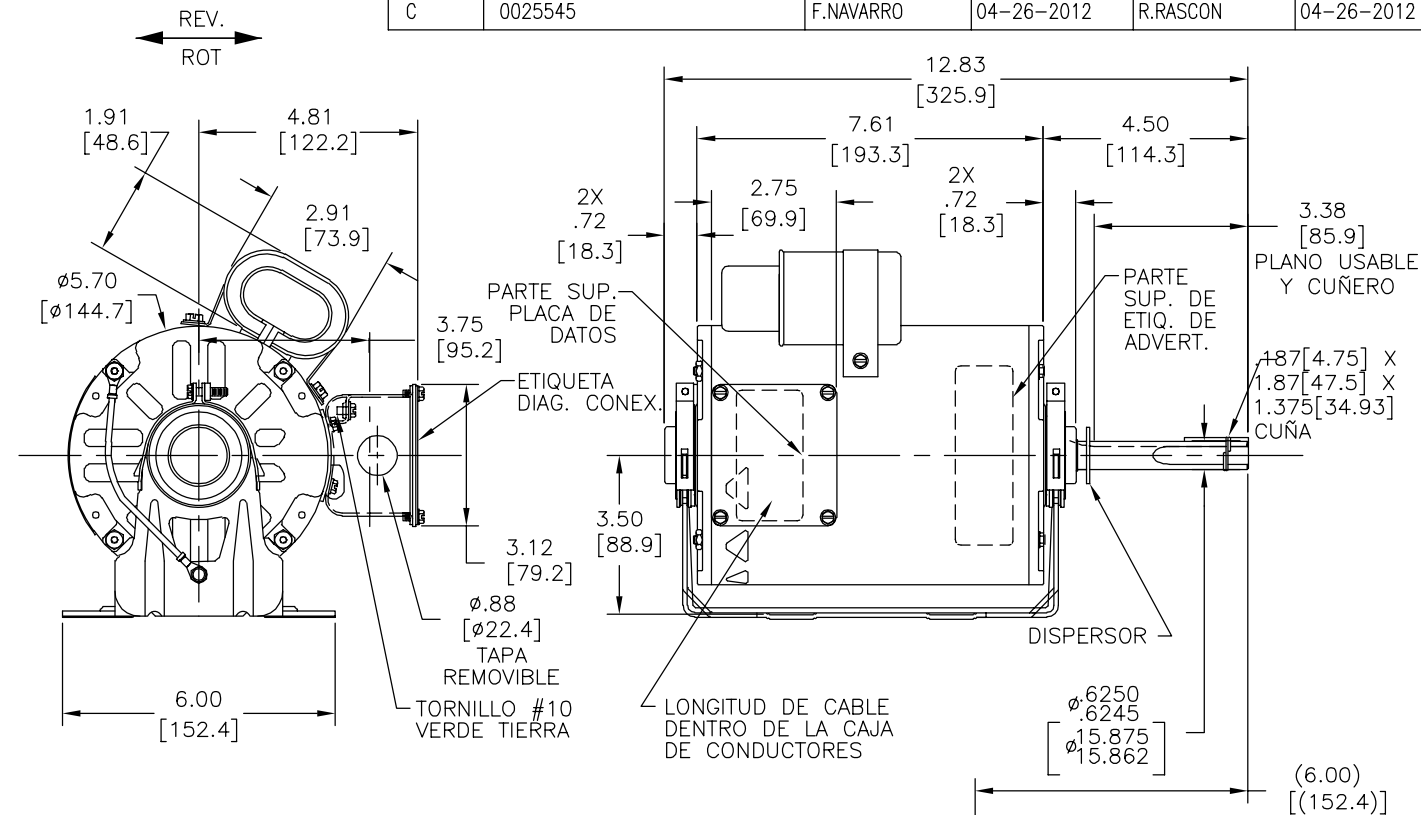
INFORMACION GENERAL:

OSCILACION DE FLECHA: .001[.02] L.T.I. POR PULGADA DE LONGITUD DE EXTENSION.
 JUEGO AXIAL: .010[.25] A .063[1.60]
 POSICION DE MONTAJE: FLECHA VERTICAL HACIA ABAJO

INFORMACION ELECTRICA:

SOBRECARGA DEL PROTECTOR: REINICIO AUTOMATICO (T.I. 7AM 036)
 CABLES: CALIBRE NO. 18, .03[.8] GROSOR, AISLANTE 125°C.
 CABLE DE TIERRA: CALIBRE NO. 18, AISLANTE (VERDE) .03[.8] GROSOR.

| | | | | | |
|-----------|---------|---------------|------------|---------------|------------|
| REVISION: | ECO | REVISADO POR: | FECHA: | APROBADO POR: | FECHA: |
| C | 0025545 | F.NAVARRO | 04-26-2012 | R.RASCON | 04-26-2012 |



| | | |
|----------------|-----------------------|---------------------------|
| VERDE (TIERRA) | CONECTADO A BASE | #8 OJAL |
| NARANJA | CONECTADO A CAPACITOR | .25[6.4] TERMINAL BANDERA |
| CAFE | CONECTADO A CAPACITOR | .25[6.4] TERMINAL BANDERA |
| NARANJA | 6/7 [152/178] | .50[12.7] FORRO |
| ROJO 1 | 6/7 [152/178] | .50[12.7] FORRO |
| ROJO 2 | 6/7 [152/178] | .50[12.7] FORRO |
| ROJO 3 | 6/7 [152/178] | .50[12.7] FORRO |
| AMARILLO 4 | 6/7 [152/178] | .50[12.7] FORRO |
| AMARILLO 5 | 6/7 [152/178] | .50[12.7] FORRO |
| AMARILLO 6 | 6/7 [152/178] | .50[12.7] FORRO |

| | |
|---------------|--------------|
| CARCAZA - OLE | CERRADO |
| TAPA - OLE | CERRADO |
| CARCAZA - LE | SEMI-CERRADO |
| TAPA - LE | ABIERTO |

| CURVA DE FUNCIONAMIENTO | TORSION @1100 RPM (25°C) | MUESTRA APROBADA | COMPONENTE UL | | CSA | |
|----------------------------|--------------------------|------------------|---------------|--------|----------|---------|
| | | | #ARCHIVO | # GUIA | #ARCHIVO | # GUIA |
| C20443 C20444 C20446 | 105.6 ONZAS PIE | EX10180 | E46412 | PRGY2 | LR43341 | 260-0-0 |

INFORMACION DE CABLES TIPO DE MOTOR CLIENTE AMMO

- CARACTERISTICAS DE GEOMETRIA Y SIMBOLOS
- ∠ PLANICIDAD
 - RECTITUD
 - ∠ ANGULARIDAD
 - ⊥ PERPENDICULARIDAD (A ESCUADRA)
 - // PARALELISMO
 - REDONDEZ (CIRCULARIDAD)
 - ∅ CILINDRICIDAD
 - △ PERFIL DE CUALQUIER SUPERFICIE
 - ∩ PERFIL DE CUALQUIER LINEA
 - ∇ VARIACION
 - ⊕ POSICION REAL
 - ⊙ CONCENTRICIDAD
 - = SIMETRIA
- ASME Y14.5M 1994

REGAL-BELOIT CORPORATION (RBC) PROVEE ASISTENCIA TECNICA A NUESTROS CLIENTES EN VARIAS AREAS, DESDE QUE RBC NO RECIBE TODOS LOS DATOS EN RELACION AL USO Y A LA APLICACION DEL MOTOR, LA APLICACION ADECUADA DEL MOTOR DEBE SER DETERMINADA POR EL CLIENTE.

DIMENSIONES SIN TOLERANCIA SON DE REFERENCIA SOLAMENTE

DIBUJADO POR: GORDON 10-30-2002

APROBADO POR:

TERCER ANGULO DE PROYECCION

FECHA EDS: 11-11-2011
REV. FORMATO: G

CONFIDENCIAL: ESTE DIBUJO Y SU INFORMACION SON PROPIEDAD DE USO EXCLUSIVO Y CONFIDENCIAL DE REGAL-BELOIT CORPORATION. Y NO DEBERAN SER REVELADOS, DUPLICADOS, DISTRIBUIDOS O USARSE DE OTRA MANERA SIN EL CONSENTIMIENTO ESCRITO DE REGAL-BELOIT CORPORATION. -TODOS LOS DERECHOS RESERVADOS.

REGAL-BELOIT CORPORATION

DESCRIPCION: MODEL-RFHP-48FR OUTLINE

TAMAÑO: C NUMERO DE DIBUJO: 12370-002

ESCALA: NONE HOJA: 1

4

3

2

1

