

4

3

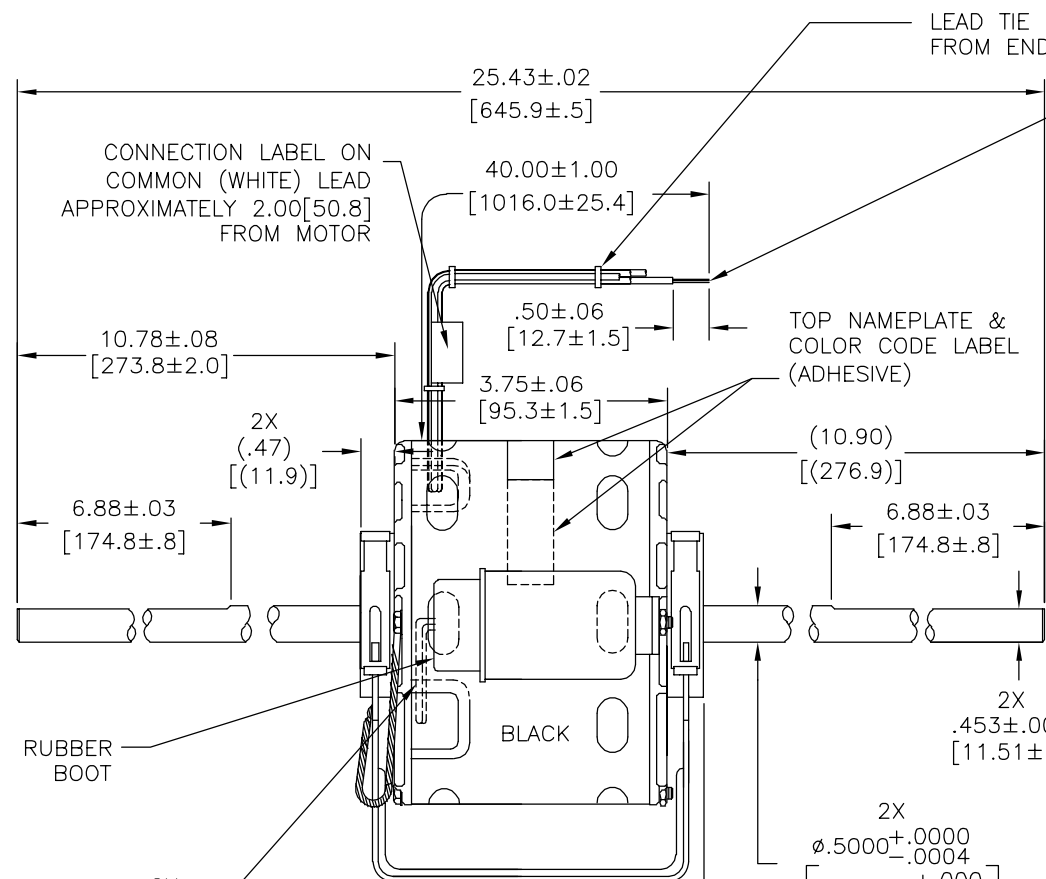
2

1

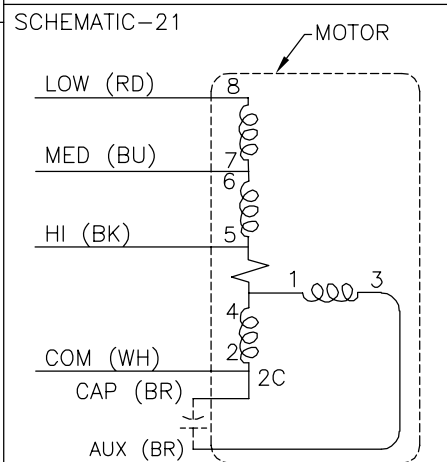
CUSTOMER IS SOLELY RESPONSIBLE FOR MOTOR PERFORMANCE AND SUITABILITY IN APPLICATIONS FOR CUSTOMER'S USES

REV	ECO	REV BY	DATE	APPD	DATE
F	0028999	A. ESCOBAR	10-16-2012	R. RASCON	10-16-2012

END PLAY .005[.13] MINIMUM - .040[1.02] MAXIMUM
 MAXIMUM SHAFT RUN OUT .001[.03] PER INCH
 MAXIMUM RUN OUT NOT TO EXCEED .010[.25]



COLOR CODE LABEL:
 63T7452-8
 BK HI .8 1/15HP
 BU MED .5A 1/45HP
 RD LO .35A 1/60HP
 WH COM



GEOMETRIC CHARACTERISTICS & SYMBOLS

- FLATNESS
- STRAIGHTNESS
- ∠ ANGULARITY
- ⊥ PERPENDICULARITY (SQUARENESS)
- // PARALLELISM
- ROUNDNESS (CIRCULARITY)
- ∅ CYLINDRICITY
- △ PROFILE OF ANY SURFACE
- ∩ PROFILE OF ANY LINE
- ↗ RUNOUT
- ⊕ TRUE POSITION
- ◎ CONCENTRICITY
- ≡ SYMMETRY

ASME Y14.5M 1994

REGAL-BELOIT CORPORATION (RBC) PROVIDES TECHNICAL ASSISTANCE TO OUR CUSTOMERS IN SEVERAL AREAS. SINCE RBC DOES NOT RECEIVE ALL DATA CONCERNING THE USE AND APPLICATION OF THE MOTOR, THE SUITABILITY OF THE MOTOR FOR THE APPLICATION MUST BE DETERMINED BY THE CUSTOMER.

DIMENSIONS WITHOUT TOLERANCES ARE FOR REFERENCE ONLY.

DR BY: J. AGUILERA 12-11-2010

APPD:

THIRD ANGLE PROJECTION

EDS DATE 11-11-2011
 FORMAT REV H

CONFIDENTIAL: THIS DRAWING AND ITS INFORMATION ARE THE EXCLUSIVE AND CONFIDENTIAL PROPERTY OF REGAL-BELOIT CORPORATION AND ARE NOT TO BE DISCLOSED, DUPLICATED, DISTRIBUTED OR OTHERWISE USED WITHOUT THE WRITTEN CONSENT OF REGAL-BELOIT CORPORATION. -ALL RIGHTS RESERVED.

ROT: CWLE-CCWSE

NAMEPLATE DATA:

Century Tipp City, OH THERMALLY PROTECTED

SER. DATE & PO# PLT LTR MOD DE3E248N' STK NO. 953
 VOLTS 115 HZ 60 AMPS
 RPM 1100 SP PH CAP5MFD 370VAC
 INS CL B AMB 40°C HP CONT AO
 BRG SLV #20 NON-DET OIL EVERY 6 MO ASSEMBLED IN MEXICO

REGAL REGAL-BELOIT CORPORATION

DESCRIPTION
**MODEL-RFHP-42FR
 OUTLINE**

SIZE C DWG NO 953

SCALE NONE SHEET 1

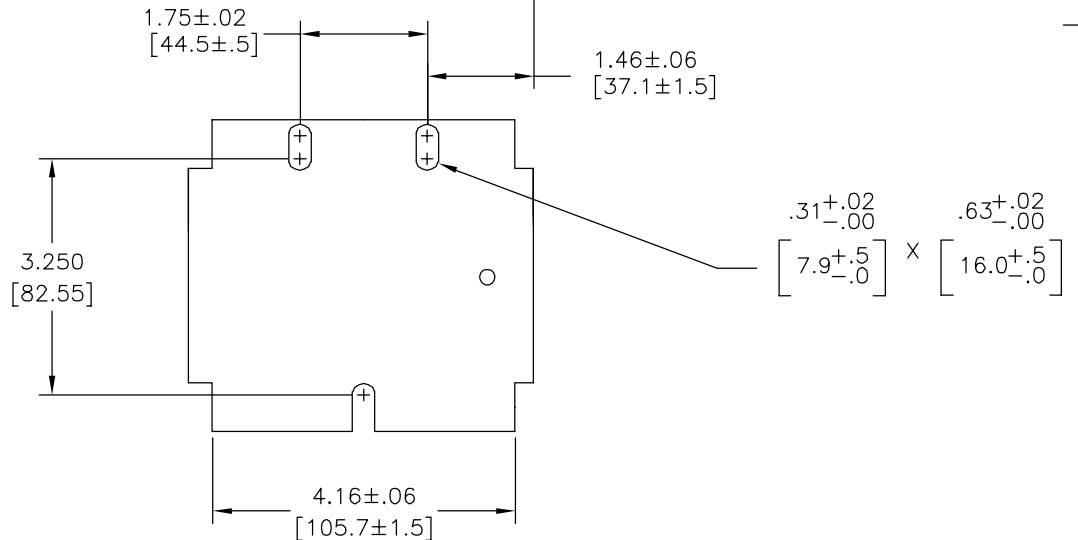
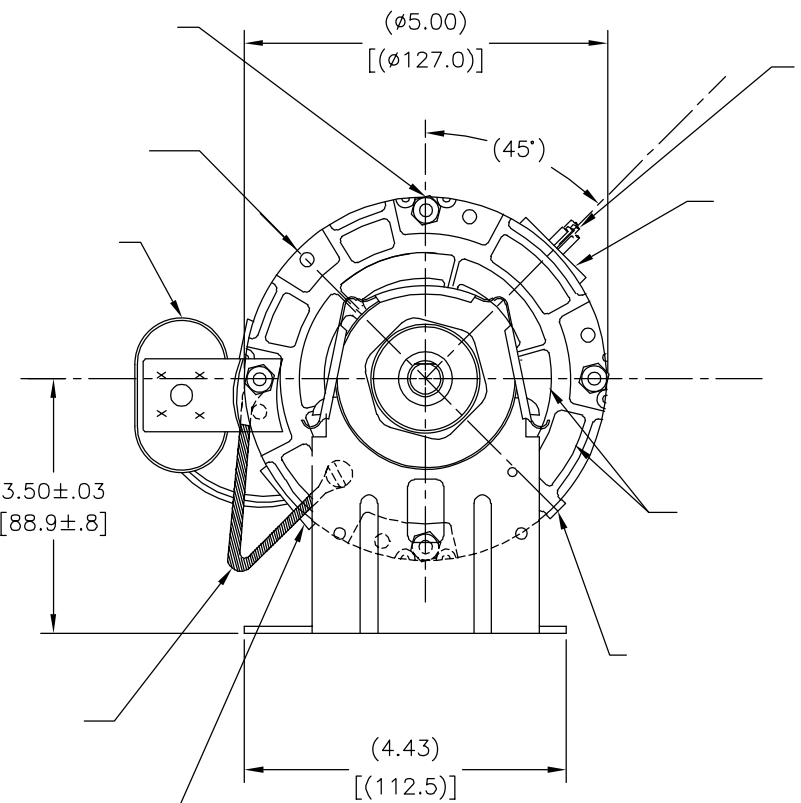
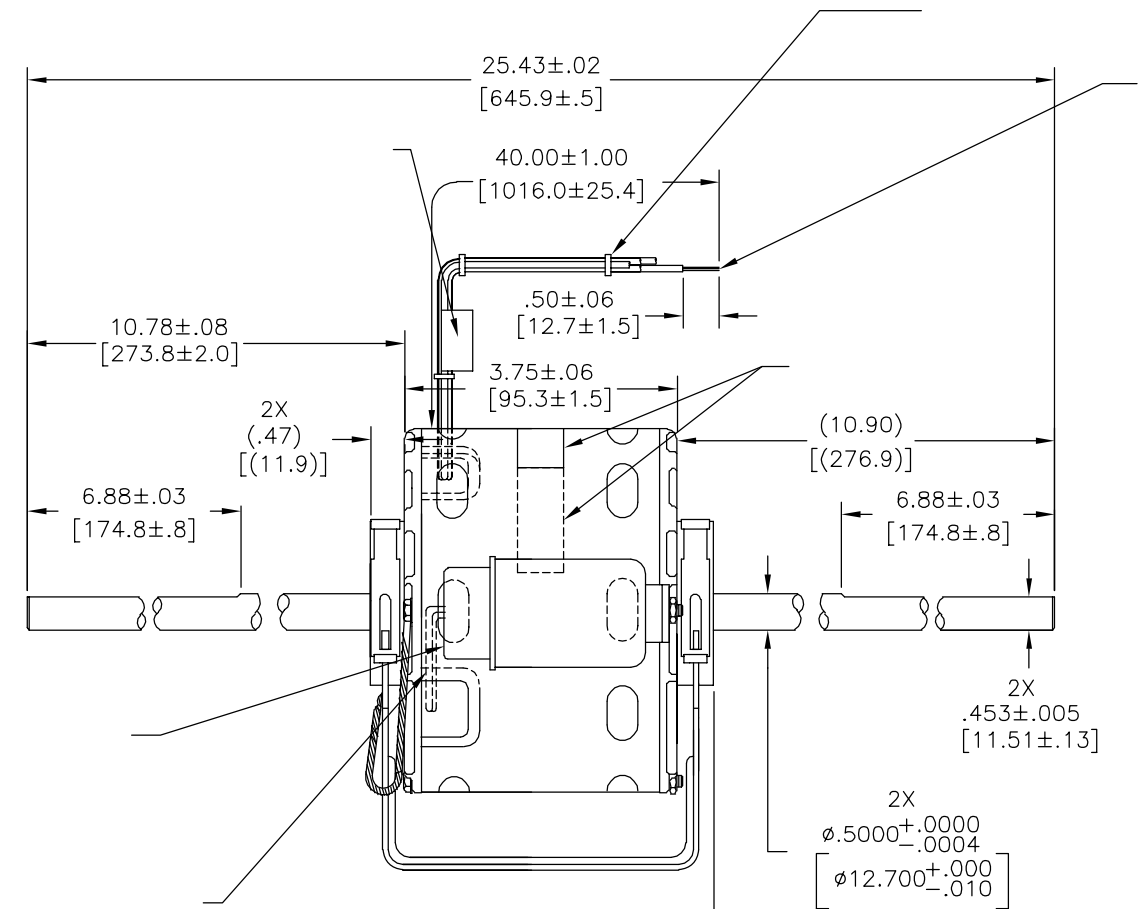
4

3

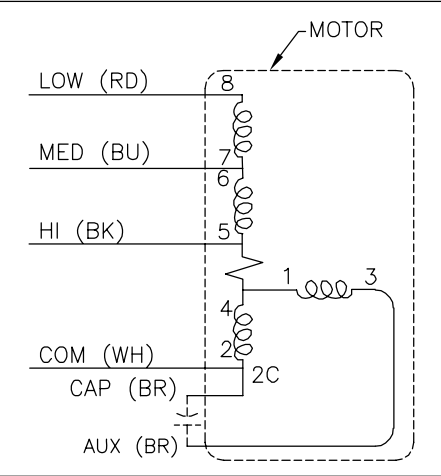
2

1

版本	ECO	编制	日期	批准	日期
F	0028999	A. ESCOBAR	10-16-2012	R. RASCON	10-16-2012



63T7452-8
BK HI .8 1/15HP
BU MED .5A 1/45HP
RD LO .35A 1/60HP
WH COM



ROT: CWLE-CCWSE

Century Tipp City, OH THERMALLY PROTECTED

SER. DATE & PO# PLT LTR MOD DE3E248N' STK NO. 953
VOLTS 115 HZ 60 AMPS
RPM 1100 SP PH CAP5MFD 370VAC
INS CL B AMB 40°C HP CONT AO
BRG SLV #20 NON-DET OIL EVERY 6 MO ASSEMBLED IN MEXICO

- 形位公差
- 平面度
 - 直线度
 - ∠ 倾斜度
 - ⊥ 垂直度
 - // 平行度
 - 圆度
 - ⊘ 圆柱度
 - △ 面轮廓度
 - ∩ 线轮廓度
 - ↗ 圆跳动
 - ⊕ 位置度
 - ⊙ 同轴度
 - ≡ 对称度

ASME Y14.5M 1994

REGAL-BELOIT CORPORATION (RBC) 在个别领域为客户提供技术支持。鉴于RBC未收到任何涉及电机使用和应用环境的数据，电机的适用性由客户自己决定。

未注公差尺寸仅供参考。

绘图:	J. AGUILERA	12-11-2010
批准:		
第三角投影		图纸格式发布日期 11-11-2011 图纸格式版本 H
机密:	本图纸及相关信息所有权归REGAL-BELOIT CORPORATION。未经REGAL-BELOIT CORPORATION书面授权，不得泄露、复制或传播作其他用途。—版权所有	

REGAL REGAL-BELOIT CORPORATION	
名称	MODEL-RFHP-42FR OUTLINE
图幅	C
图号	953
比例	NONE
页号	1