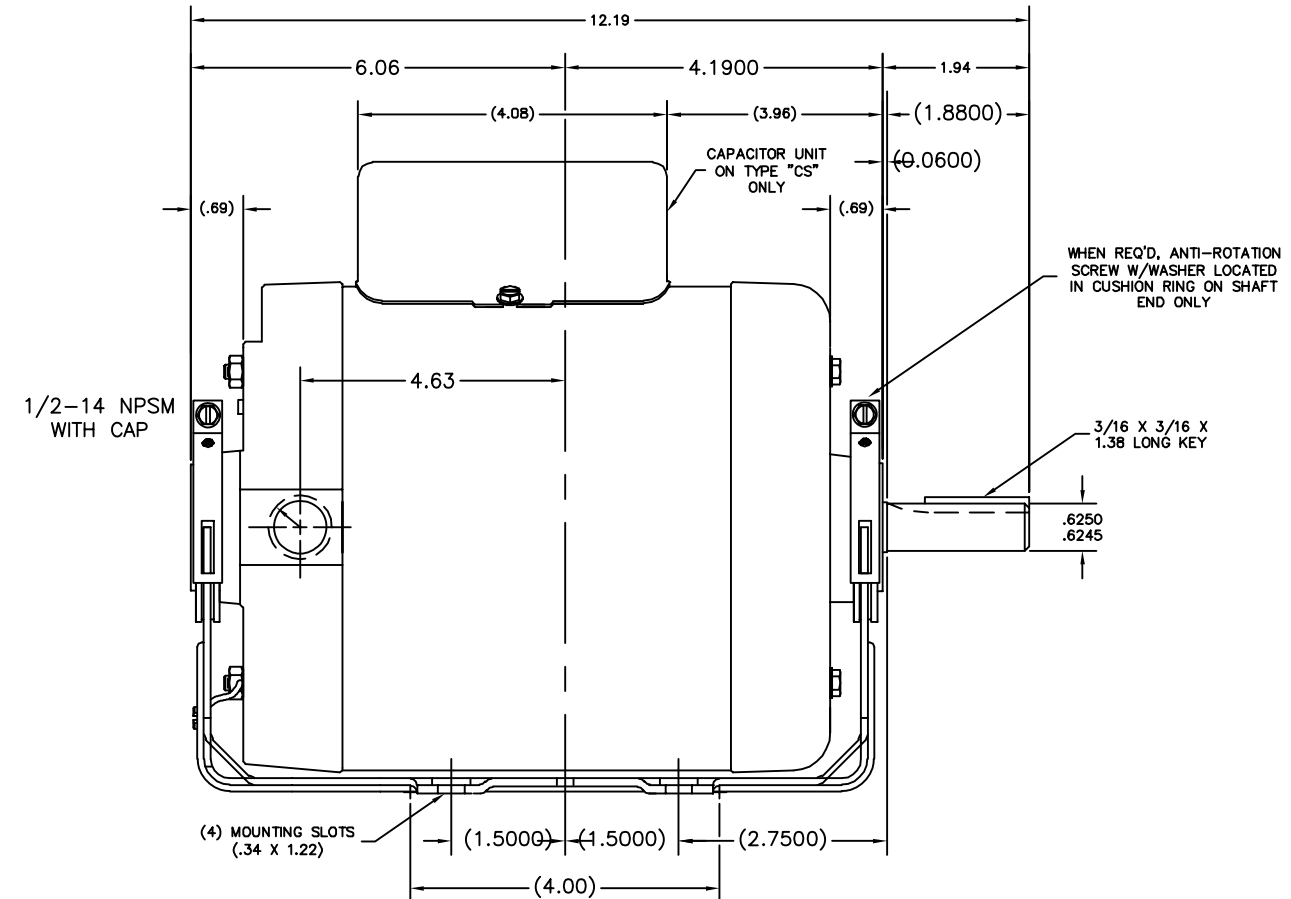
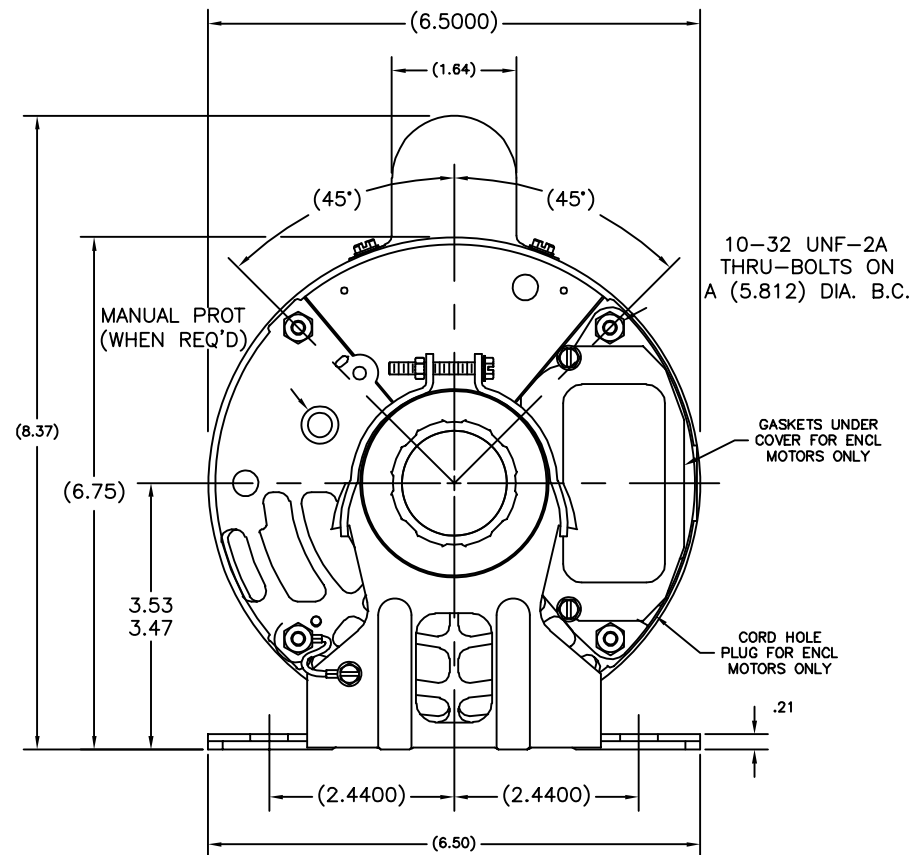


TYPE	FRAME	PERFORMANCE CURVE#
CSM	L56	C26034

REV	ECO	REV BY	DATE	APPD	DATE
B	0025373	Y.LIU	04-18-2012	B.SHEN	04-18-2012

ALL DIMENSIONS SHOWN IN PARENTHESIS ARE REFERENCE DIMENSIONS. ALL OTHER DIMENSIONS ARE TOLERANCED PER THE FOLLOWING CHART UNLESS OTHERWISE SPECIFIED.

"C" DIM. = +/- .055
 SHAFT EXT. = +/- .034
 LEAD LENGTHS = +/- 1.00
 EXTENDED THRU-BOLTS = +/- .050
 ANGULAR DIMS. = +/- 2 DEGS.



GEOMETRIC CHARACTERISTICS & SYMBOLS

- FLATNESS
- STRAIGHTNESS
- ANGULARITY
- PERPENDICULARITY (SQUARENESS)
- PARALLELISM
- ROUNDNESS (CIRCULARITY)
- CYLINDRICITY
- PROFILE OF ANY SURFACE
- PROFILE OF ANY LINE
- RUNOUT
- TRUE POSITION
- CONCENTRICITY
- SYMMETRY

ASME Y14.5M 1994

UNLESS OTHERWISE SPECIFIED DIM. TOLERANCES ARE AS FOLLOWS:

INCH: .1 ±.02 ±.005 ±.0005
 mm: ±0.5 ±0.13 ±0.013

ANG. ±.50 DEG

REMOVE BURRS & BREAK SHARP EDGES:

INCH: .003-.015 mm: 0.1-0.4

CORNER FILLETS TO:

INCH: .020 mm: 0.5

MACHINE SURFACES:

INCH: 125 mm: 3.2

METRIC DIMS. SHOWN IN [BRACKETS]

DR BY: JBLANK 7/30/04

APPD:

THIRD ANGLE PROJECTION

EDS DATE 11-11-2011
 FORMAT REV G

CONFIDENTIAL: THIS DRAWING AND ITS INFORMATION ARE THE EXCLUSIVE AND CONFIDENTIAL PROPERTY OF REGAL-BELOIT CORPORATION AND ARE NOT TO BE DISCLOSED, DUPLICATED, DISTRIBUTED OR OTHERWISE USED WITHOUT THE WRITTEN CONSENT OF REGAL-BELOIT CORPORATION. -ALL RIGHTS RESERVED.

REGAL-BELOIT CORPORATION

DESCRIPTION: 56F OUTLINE SB/BB OP/EN

SIZE: D DWG NO: 18857501-002

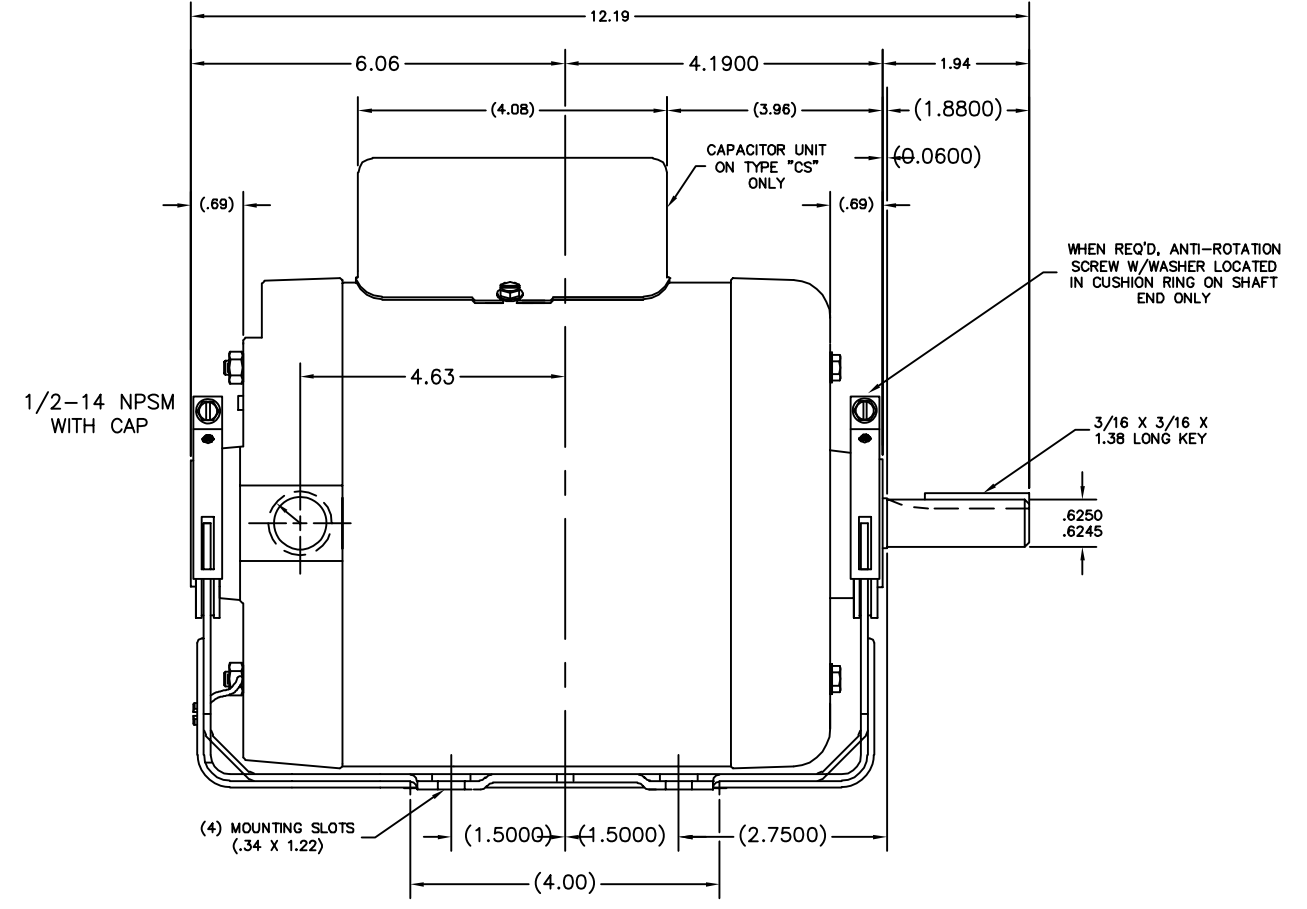
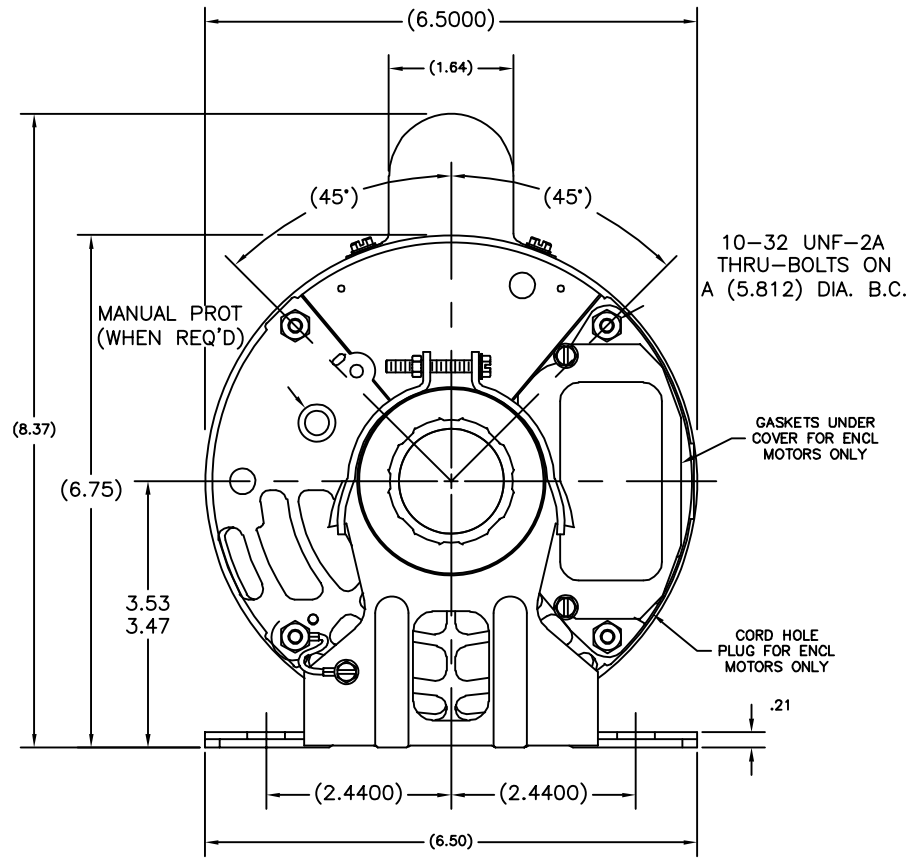
SCALE: NONE SHEET: 2

REVISION:	ECO	REVISADO POR:	FECHA:	APROBADO POR:	FECHA:
B	0025373	Y.LIU	04-18-2012	B.SHEN	04-18-2012

TYPE	FRAME	PERFORMANCE CURVE#
CSM	L56	C26034

ALL DIMENSIONS SHOWN IN PARENTHESIS ARE REFERENCE DIMENSIONS. ALL OTHER DIMENSIONS ARE TOLERANCED PER THE FOLLOWING CHART UNLESS OTHERWISE SPECIFIED.

"C" DIM. = +/- .055
 SHAFT EXT. = +/- .034
 LEAD LENGTHS = +/- 1.00
 EXTENDED THRU-BOLTS = +/- .050
 ANGULAR DIMS. = +/- 2 DEGS.



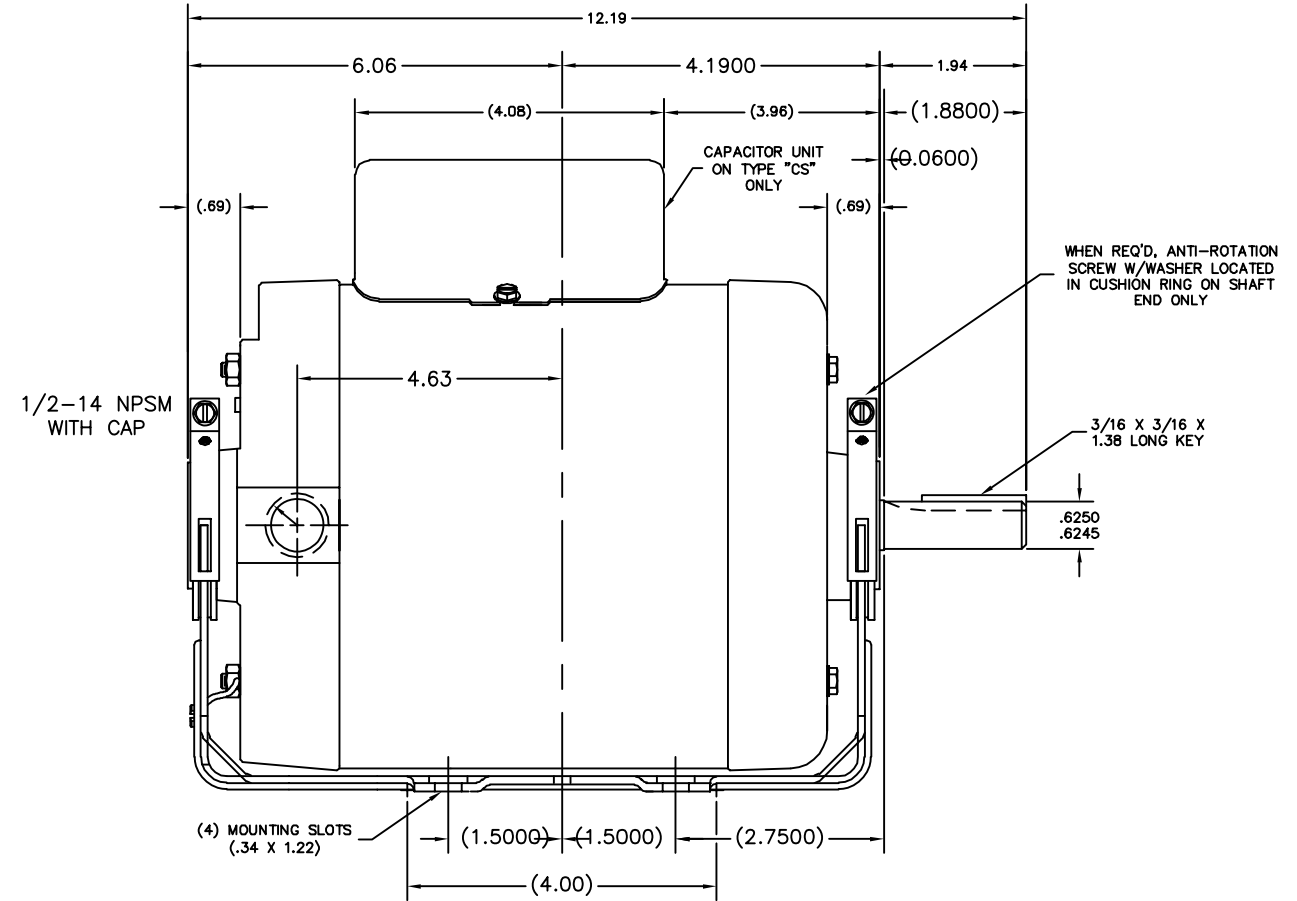
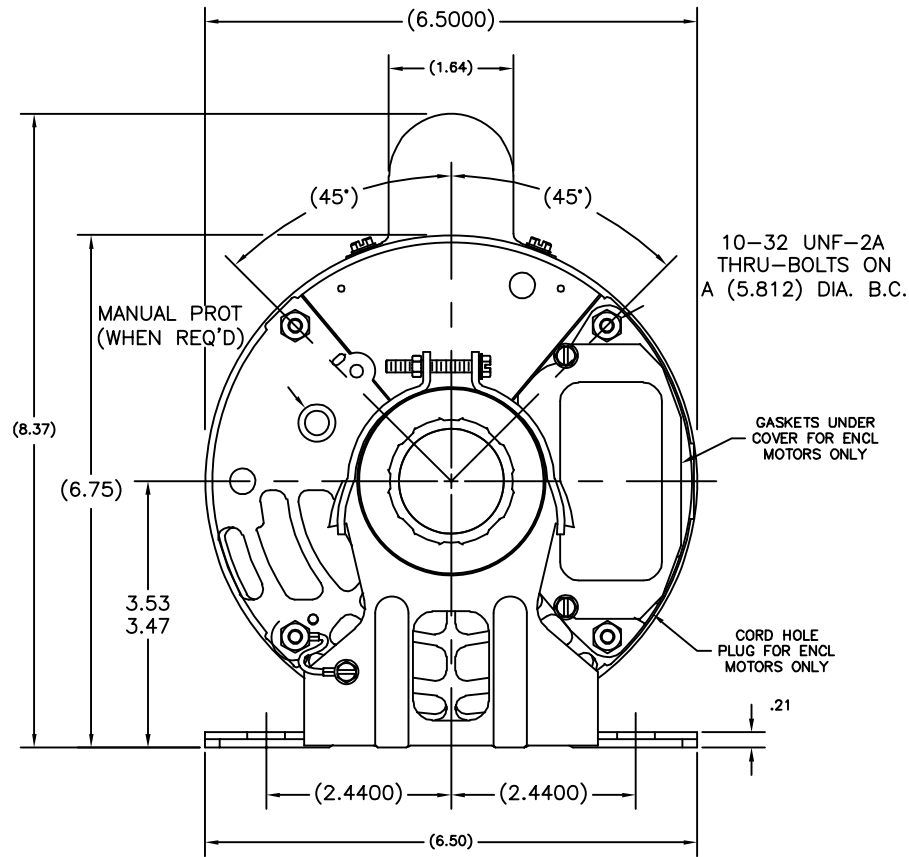
CARACTERISTICAS DE GEOMETRIA Y SIMBOLOS: □ PLANICIDAD — RECTITUD ∠ ANGULARIDAD ⊥ PERPENDICULARIDAD (A ESCUADRA) // PARALELISMO ○ REDONDEZ (CIRCULARIDAD) R CILINDRICIDAD ≡ PERFIL DE CUALQUIER SUPERFICIE ^ PERFIL DE CUALQUIER LINEA † VARIACION ⊕ POSICION REAL ⊙ CONCENTRICIDAD = SIMETRIA	A MENOS QUE SE ESPECIFIQUE DE OTRA MANERA, LAS TOLERANCIAS DE LAS DIMS; SON LAS SIGUIENTES: PULG ±.1 ±.02 ±.005 ±.0005 mm ±0.5 ±0.13 ±0.013 ANG. ±50 GRADOS ELIMINAR REBABAS Y ORILLAS FILOSAS DEL BORDE. PULG .003-.015 mm 0.1-0.4 FILETEAR ESQUINA: PULG .020 mm 0.5 MAQUINAR SUPERFICIES PULG 125 mm 3.2 DIMS METRICAS MOSTRADAS [PARENTESIS]	DIBUJADO POR: JBLANK	7/30/04	DESCRIPCION: 56F OUTLINE SB/BB OP/EN
		APROBADO POR:	FECHA EDS: 11-11-2011 REV. FORMATO: G	
CONFIDENCIAL: ESTE DIBUJO Y SU INFORMACION SON PROPIEDAD DE USO EXCLUSIVO Y CONFIDENCIAL DE REGAL-BELOIT CORPORATION, Y NO DEBERAN SER REVELADOS, DUPLICADOS, DISTRIBUIDOS O USARSE DE OTRA MANERA SIN EL CONSENTIMIENTO ESCRITO DE REGAL-BELOIT CORPORATION. -TODOS LOS DERECHOS RESERVADOS.		ESCALA: NONE	HOJA: 2	

TYPE	FRAME	PERFORMANCE CURVE#
CSM	L56	C26034

版本	ECO	编制	日期	批准	日期
B	0025373	Y.LIU	04-18-2012	B.SHEN	04-18-2012

ALL DIMENSIONS SHOWN IN PARENTHESIS ARE REFERENCE DIMENSIONS. ALL OTHER DIMENSIONS ARE TOLERANCED PER THE FOLLOWING CHART UNLESS OTHERWISE SPECIFIED.

- "C" DIM. = +/- .055
- SHAFT EXT. = +/- .034
- LEAD LENGTHS = +/- 1.00
- EXTENDED THRU-BOLTS = +/- .050
- ANGULAR DIMS. = +/- 2 DEGS.



形位公差	除另有注明
□ 平面度	尺寸公差如下:
— 直线度	英寸 X XX XXX XXXX
∠ 倾斜度	英寸 ±.1 ±.02 ±.005 ±.0005
⊥ 垂直度	毫米 ±0.5 ±0.13 ±0.013
∥ 平行度	清理毛刺和尖棱
∅ 圆度	英寸 .003-.015 毫米 0.1-0.4
⊙ 圆柱度	内圆角
⊙ 面轮廓度	英寸 .020 毫米 0.5
⊙ 线轮廓度	表面粗糙度
↗ 圆跳动	英制 125 米制 3.2
⊕ 位置度	米制尺寸显示在 []
⊙ 同轴度	
≡ 对称度	

ASME Y14.5M 1994

绘图:	JBLANK	7/30/04
批准:		
第三角投影		
图框格式发布日期	11-11-2011	
图框格式版本	G	
机密: 本图纸及相关信息所有权归REGAL-BELOIT CORPORATION 未经REGAL-BELOIT CORPORATION书面授权, 不得泄露、 复制、传播或作其他用途。—版权所有		

名称	56F OUTLINE SB/BB OP/EN
图号	18857501-002
比例	NONE
页号	2