

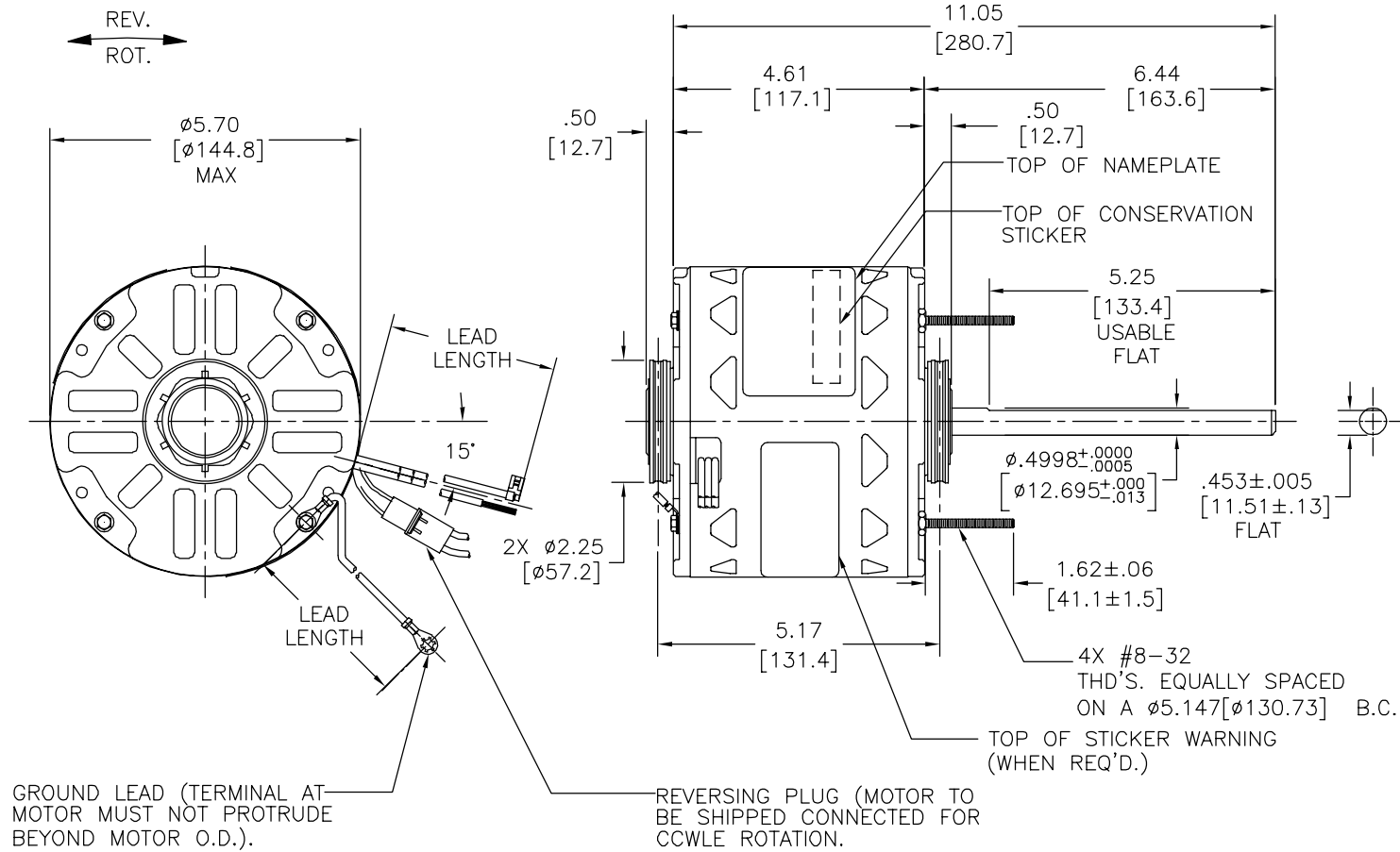
GENERAL INFORMATION:

SHAFT RUNOUT: .001 [.03] T.I.R. PER INCH LENGTH OF EXTENSION
 END PLAY: .010[.25] TO .063[1.60]
 BEARINGS: SLEEVE
 MOUNTING POSITION: HORIZONTAL

ELECTRICAL DATA:

OVERLOAD PROTECTOR: AUTOMATIC RESET (T.I. 7AM 032)
 LEADS: NO. 18 GA., .03 [.8] THK. 125°C INSUL.
 REVERSING PLUGS: NO. 18 GA., .03 [.8] THK. 125°C INSUL.
 GROUND LEAD: NO. 18 GA., .03 [.8] THK. (GREEN) INSUL.

NOTE:
 1. 4X SNAP RINGS 615035 TO BE PACKED WITH EACH MOTOR



NAMEPLATE DATA:	EXTERNAL CONNECTION DIAGRAM
MODEL NO.: F48SL6L14 CUST. P/N: FD1036 HP: 1/3 ROT.: REVERSIBLE RPM: 1075/3 SPD. TYPE: UF FRAME: 48Y VOLTS: 208-230 PH: 1 AMPS: 3.2 HZ: 60 INS.: A AMB.: 50°C DUTY: AIR OVER CAP.: 5 MFD/370V ENCL: OPEN UL LOGO CSA LOGO THERMALLY PROTECTED	<p>614131-111</p>

LEAD DATA		
COLOR	LENGTH	TERMINAL OR STRIP LENGTH
RED	26.0/28.0 [660/711]	.50 [12.7] SKIN
BLUE	26.0/28.0 [660/711]	.50 [12.7] SKIN
BLACK	26.0/28.0 [660/711]	.50 [12.7] SKIN
YELLOW	26.0/28.0 [660/711]	.50 [12.7] SKIN
BROWN/WHITE	26.0/28.0 [660/711]	.25 [6.4] FLAG
BROWN	26.0/28.0 [660/711]	.25 [6.4] FLAG
BLACK/WHITE	3.0/5.0 [76/127]	REVERSING PLUG
GREEN (GROUND)	12.0/13.0 [305/330]	#10 EYELET

REGAL-BELOIT CORPORATION (RBC) PROVIDES TECHNICAL ASSISTANCE TO OUR CUSTOMERS IN SEVERAL AREAS. SINCE RBC DOES NOT RECEIVE ALL DATA CONCERNING THE USE AND APPLICATION OF THE MOTOR, THE SUITABILITY OF THE MOTOR FOR THE APPLICATION MUST BE DETERMINED BY THE CUSTOMER.

DIMENSIONS WITHOUT TOLERANCES ARE FOR REFERENCE ONLY.

ENCLOSURE	
END FRAME - LE	OPEN
MAIN FRAME - LE	OPEN
END FRAME - OLE	OPEN
MAIN FRAME - OLE	OPEN

PERFORMANCE CURVE NO.	TORQUE @ 1075 RPM (25°C)	APPROVED SAMPLE	UL COMPONENT FILE #	CCN #	CSA FILE #	CLASS #
C22902	40.1 OZ. FT.	EX11217	E46412	PRGY2	LR43341	260-Ø-0

CUSTOMER	DISTRIBUTION SERVICE

DRAWING REVISION: A
 J. COX 11-20-2013
 ECO-0041020 APPROVED BY: C. McREYNOLDS 11-20-2013
 CHANGE AMPS

REGAL-BELOIT CORPORATION (RBC) PROVIDES TECHNICAL ASSISTANCE TO OUR CUSTOMERS IN SEVERAL AREAS. SINCE RBC DOES NOT RECEIVE ALL DATA CONCERNING THE USE AND APPLICATION OF THE MOTOR, THE SUITABILITY OF THE MOTOR FOR THE APPLICATION MUST BE DETERMINED BY THE CUSTOMER.

DRAWN BY: S. THARP
 DATE: 12-05-1995
 APPROVED BY: D.CORD
 DATE: 12-07-1995
 PROCESS/FINISH: -

THIRD ANGLE PROJECTION

REGAL™ Regal Beloit America, Inc.
 DESCRIPTION: MODEL-RFHP-48FR OUTLINE
 MATERIAL: -
 SIZE DWG NO: C FD1036
 SHEET: 1