

GENERAL INFORMATION:

SHAFT RUNOUT: .001 [.025] T.I.R. PER INCH LENGTH OF EXTENSION

END PLAY: .010 TO .063 [.254 TO 1.600]

BEARINGS: SLEEVE

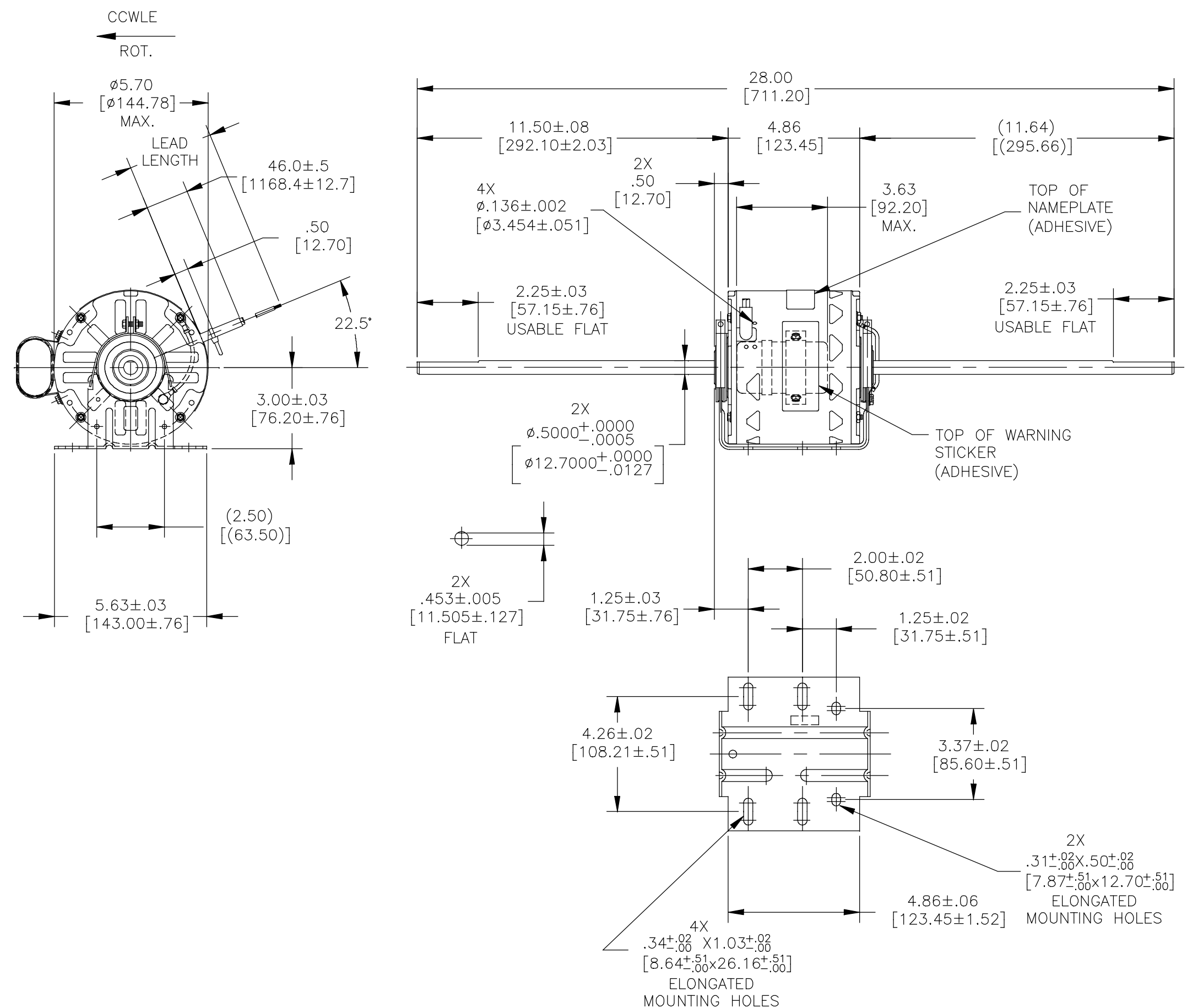
MOUNTING POSITION: HORIZONTAL

ELECTRICAL DATA:

OVERLOAD PROTECTOR: AUTOMATIC RESET (T.I. 7AM 034)

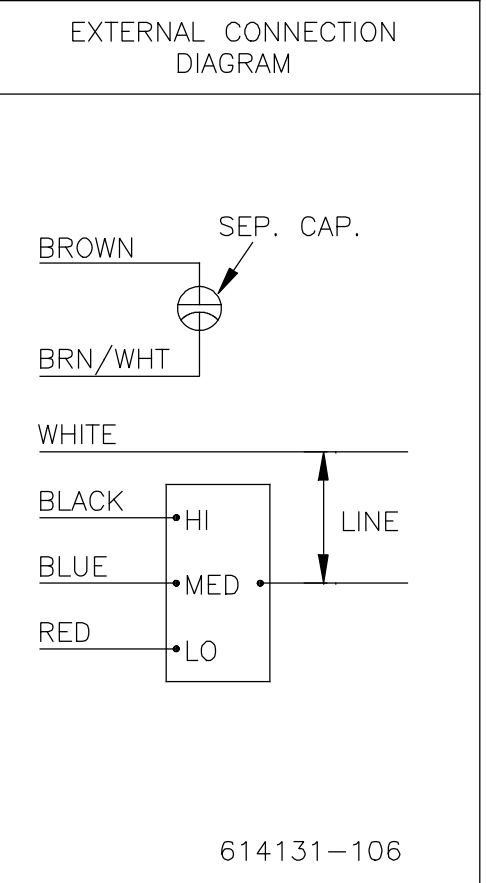
LEADS: NO. 18 GA., .06 [1.52] THK. PVC 105°C INSUL.

GROUND LEAD: NO. 18 GA., .03 [.76] THK. (GREEN/YELLOW) INSUL.



NAMEPLATE DATA:

MODEL NO.: F48Z30A01
 CUST. P/N: 680A
 HP: 1/8
 ROT.: CCWLE
 RPM: 775/650/525
 TYPE: UF
 FRAME: 48Y
 VOLTS: 115
 PH: 1
 AMPS: 1.5
 HZ: 60
 INS.: B
 AMB.: 40 °C
 DUTY: AIR OVER
 CAP.: 6 MFD/370V
 ENCL: OPEN
 UL LOGO
 CSA LOGO
 THERMALLY PROTECTED



GREEN/YELLOW (GRD)	3/5 [76/127]	#10 EYELET
BROWN	CONNECTED TO CAPACITOR	.25[6.35] FLAG
BROWN/WHITE	CONNECTED TO CAPACITOR	.25[6.35] FLAG
RED	47/51 [1194/1295]	.50[12.70] STRIP
BLUE	47/51 [1194/1295]	.50[12.70] STRIP
BLACK	47/51 [1194/1295]	.50[12.70] STRIP
WHITE	47/51 [1194/1295]	.50[12.70] STRIP
COLOR	LENGTH	TERMINAL OR STRIP LENGTH

REGAL-BELOIT CORPORATION (RBC) PROVIDES TECHNICAL ASSISTANCE TO OUR CUSTOMERS IN SEVERAL AREAS. SINCE RBC DOES NOT RECEIVE ALL DATA CONCERNING THE USE AND APPLICATION OF THE MOTOR, THE SUITABILITY OF THE MOTOR FOR THE APPLICATION MUST BE DETERMINED BY THE CUSTOMER.

DIMENSIONS WITHOUT TOLERANCES ARE FOR REFERENCE ONLY.

MAIN FRAME - OLE	OPEN
END FRAME - OLE	OPEN
MAIN FRAME - LE	SEMI-ENCLOSED
END FRAME - LE	OPEN

CUSTOMER DISTRIBUTION SERVICES

PERFORMANCE CURVE NO.	TORQUE @ 775 RPM (25°C)	APPROVED SAMPLE	UL COMPONENT	CSA
C32702	10.0 OZ. FT.	0603093B	FILE # E46412 CCN # PRGY2	FILE # LR43341 CLASS # 4211-01

DRAWING REVISION

C	REVISION BY HANNA.ZOU	DATE 09-08-2017
ECO-0130978	APPROVED BY JASMINE.ZHU	DATE 09-08-2017

ECO DESCRIPTION
UPDATED LOGO

COPYRIGHT REGAL BELOIT AMERICA, INC. ALL RIGHTS RESERVED. PROPRIETARY AND CONFIDENTIAL INFORMATION - THIS DOCUMENT IS THE PROPERTY OF REGAL BELOIT AMERICA, INC. (OWNER) AND CONTAINS OWNER'S PROPRIETARY INFORMATION. ANY PERSON, CORPORATION OR OTHER FIRM RECEIVING IT IS DEEMED, BY RECEIVING IT, TO AGREE THAT IT, AND/OR ANY PART OF IT, SHALL NOT BE DISCLOSED TO ANY PERSON, CORPORATION OR OTHER ENTITY, DUPLICATED, AND/OR USED, EXCEPT AS EXPRESSLY APPROVED IN WRITING IN ADVANCE BY OWNER. THIS DOCUMENT SHALL BE RETURNED TO OWNER UPON REQUEST. IT MAY BE SUBJECT TO CERTAIN RESTRICTIONS UNDER APPLICABLE EXPORT CONTROL LAWS AND REGULATIONS.

ENCLOSURE

DRAWN BY: BZ	Regal Beloit America, Inc.
DATE: 04-18-2011	
APPROVED BY: CZ	
DATE: 04-18-2011	
PROCESS/FINISH	DESCRIPTION
	MODEL-RFHP-48FR OUTLINE
THIRD ANGLE PROJECTION	MATERIAL
SIZE DWG NO	SHEET
C	680A 1