

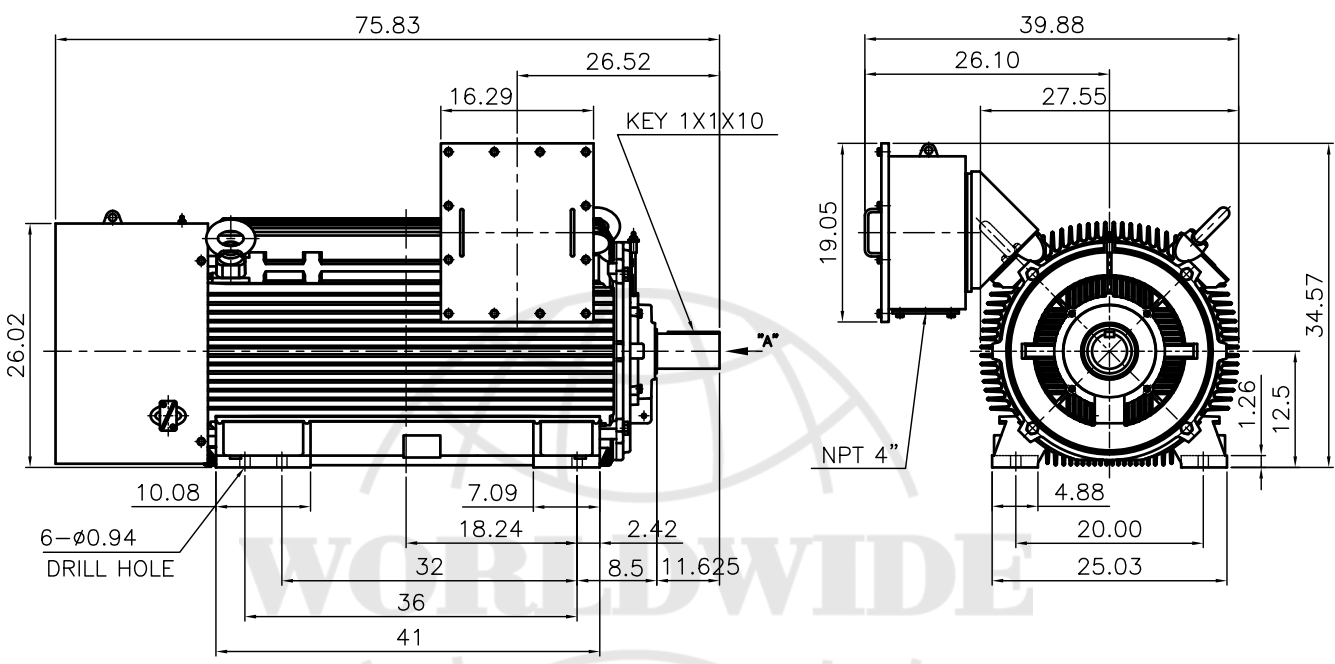
THIS DRAWING IS PROPRIETARY TO HHI. NO PART OF THIS DRAWING
MAYBE REPRODUCED WITHOUT THE PERMISSION OF HHI.



TEFC
THREE PHASE INDUCTION MOTOR

TYPE

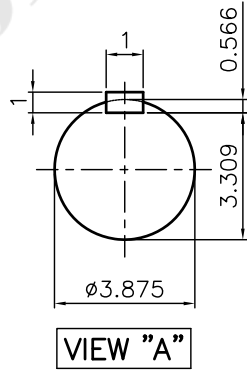
(1)
L,J,LP,JP
CAST IRON FRAME



NOTE

1.TOLERANCE :

| | | | |
|----------------|--------|--------|--------|
| CENTER HEIGHT | 12.5 | +0.000 | -0.060 |
| SHAFT DIAMETER | ø3.875 | +0.000 | -0.001 |
| KEYWAY WIDTH | 1 | +0.003 | -0.000 |



TEFC STANDARD

| Q'TY | DESCRIPTION | MATERIAL | DIMENSION | WEIGHT | PART NO. | REMARK | NO. |
|---------|-------------|----------|-----------------|-----------------|------------------------------|----------------|-----------|
| APPD BY | 강경중 | UNIT | mm | SUBJECT | XL SERIES Fr.5010/5011-4~20P | DWG SIZE | A4 (1:21) |
| CHKD BY | 김진홍 | SCALE | 1/21 | TITLE | STEEL T-BOX | | |
| CHKD BY | 김옥진 | PROJEC'N | 3각법 (3rd Angle) | Outline | | | |
| DSND BY | 김양규 | DATE | 2013-01-31 | | | | |
| REF. NO | | | | Sheet No. | | of | |
| DWG NO | | | | LM-T0511B3PL002 | | Revision No. 0 | |

