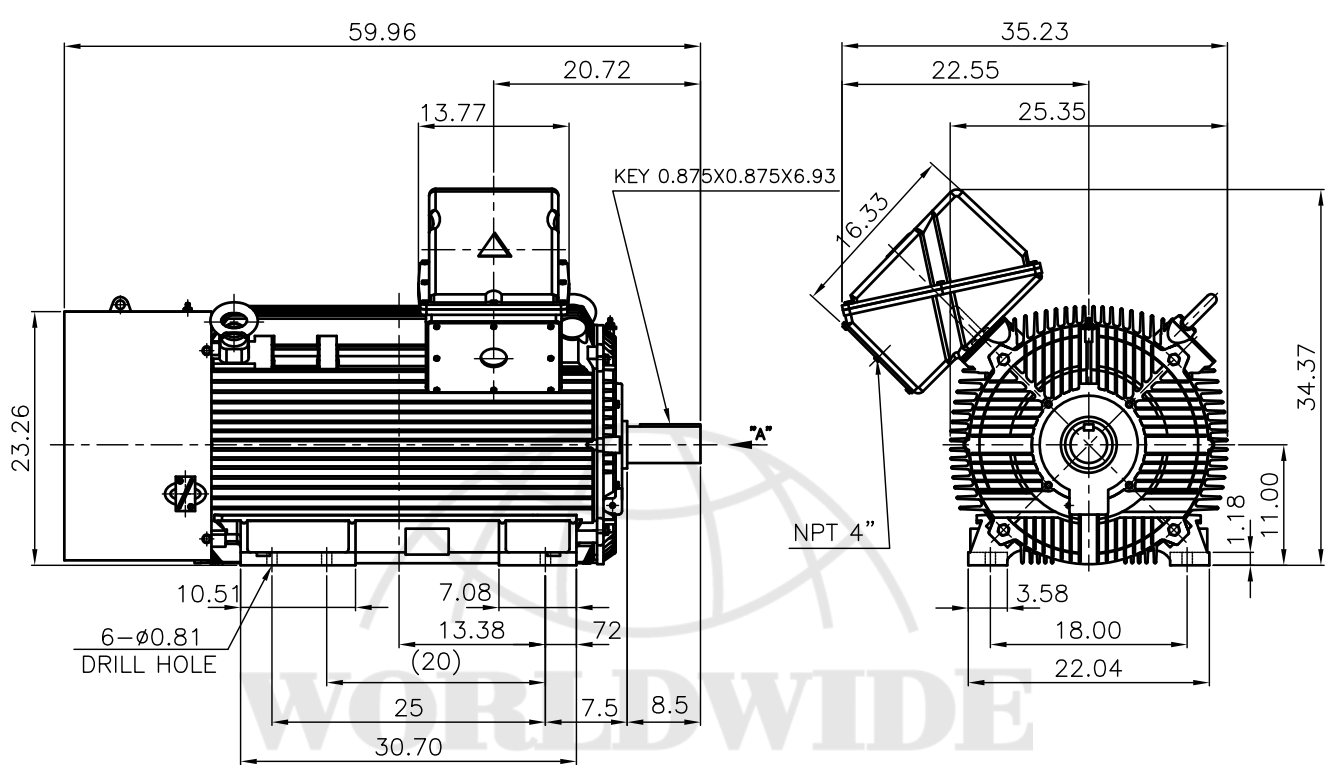


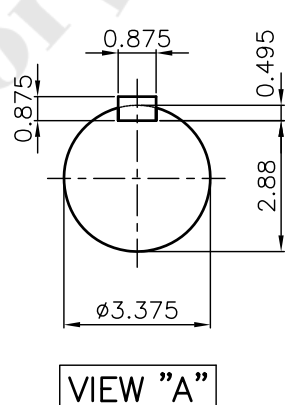
	<h1>TEFC</h1> <h2>THREE PHASE INDUCTION MOTOR</h2>	<b>TYPE</b>	L,J,LP,JP <hr/> CAST IRON FRAME
--	--	-------------	------------------------------------



**NOTE**

1. TOLERANCE :

CENTER HEIGHT	11	+0.000	-0.060
SHAFT DIAMETER	ø3.375	+0.000	-0.001
KEYWAY WIDTH	0.875	+0.003	-0.000



TEFC STANDARD

Q'TY	DESCRIPTION	MATERIAL	DIMENSION	WEIGHT	PART NO.	REMARK	NO.
APPD BY	강경중	UNIT	mm	SUBJECT	XL SERIES Fr.449T-6~20P(44KJH)	DWG SIZE	A4 (1:18)
CHKD BY	김진홍	SCALE	1/18	TITLE	NEMA STD SHAFT(4140 SHAFT) Outline		
CHKD BY	김옥진	PROJEC'N	3각법 (3rd Angle)	REF. NO	Sheet No. of		
DSND BY	김양규	DATE	2013-01-05	DWG NO	LM-T044XB3UL001	Revision No. 1	