

THIS DRAWING IS PROPRIETARY TO HHI. NO PART OF THIS DRAWING MAYBE REPRODUCED WITHOUT THE PERMISSION OF HHI.

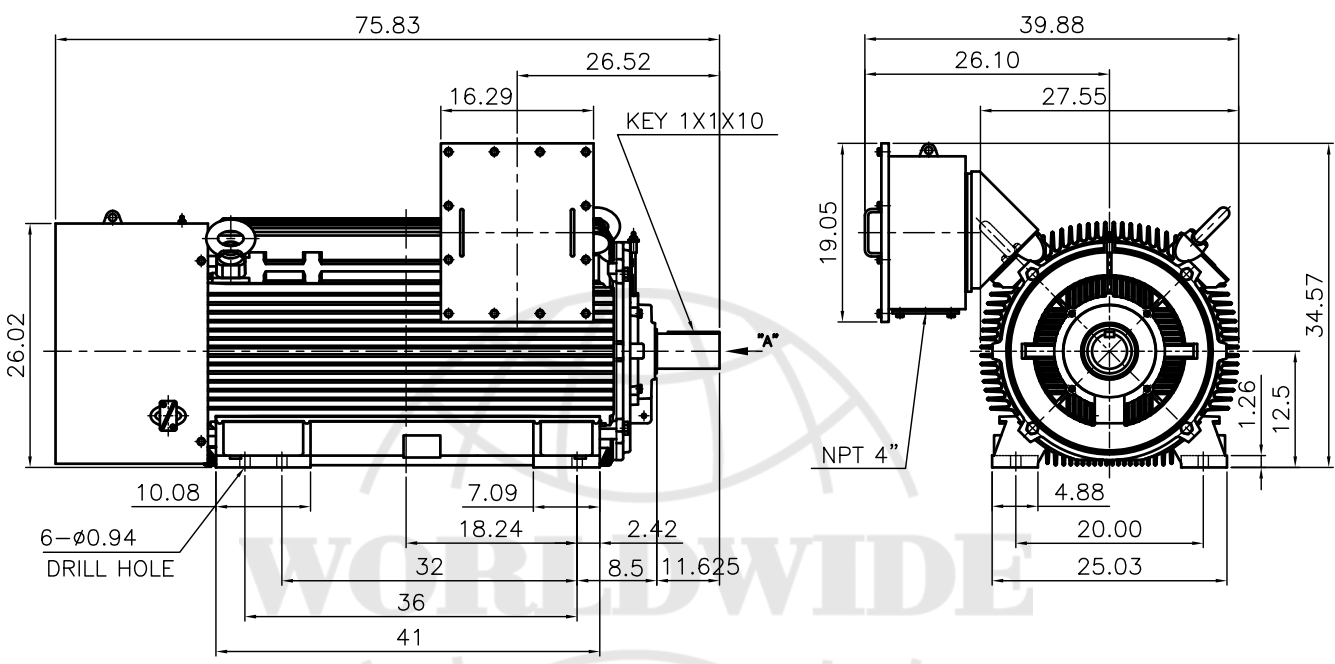


# TEFC

## THREE PHASE INDUCTION MOTOR

**TYPE**

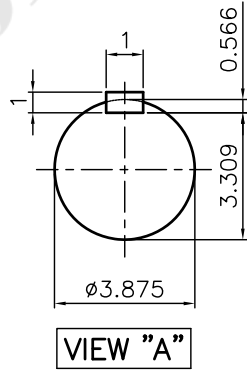
(1)  
L,J,LP,JP  
CAST IRON FRAME



**NOTE**

1.TOLERANCE :

CENTER HEIGHT	12.5	+0.000	-0.060
SHAFT DIAMETER	ø3.875	+0.000	-0.001
KEYWAY WIDTH	1	+0.003	-0.000



TEFC STANDARD

Q'TY	DESCRIPTION	MATERIAL	DIMENSION	WEIGHT	PART NO.	REMARK	NO.
APPD BY	강경중	UNIT	mm	SUBJECT	XL SERIES Fr.5010/5011-4~20P	DWG SIZE	A4 (1:21)
CHKD BY	김진홍	SCALE	1/21	TITLE	STEEL T-BOX		
CHKD BY	김옥진	PROJEC'N	3각법 (3rd Angle)	Outline			
DSND BY	김양규	DATE	2013-01-31	REF. NO		Sheet No.	of
				DWG NO	LM-T0511B3PL002	Revision No.	0



REF. NO \_\_\_\_\_ Sheet No. \_\_\_\_\_ of \_\_\_\_\_  
 DWG NO LM-T0511B3PL002 Revision No. 0