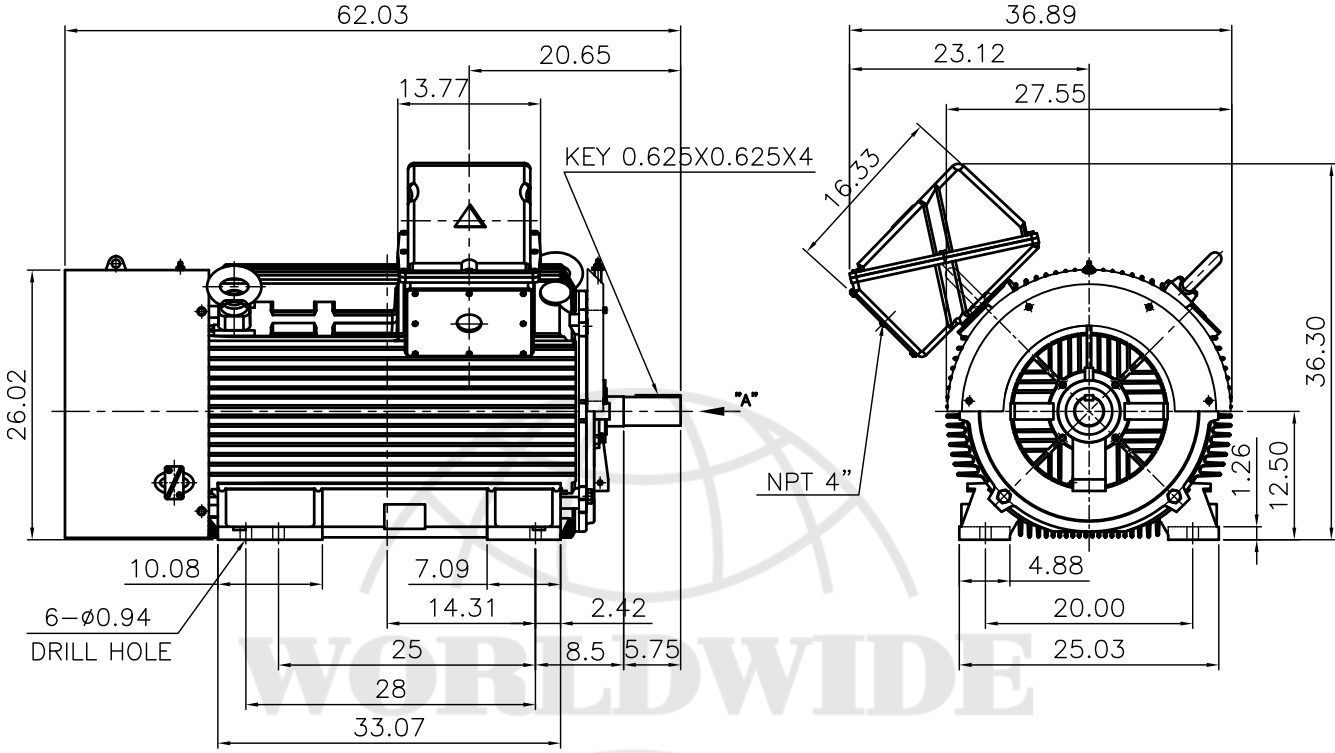




TEFC
THREE PHASE INDUCTION MOTOR

TYPE

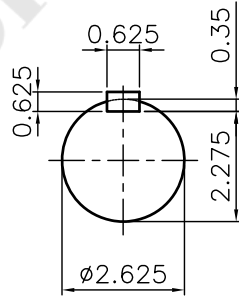
L,J,LP,JP
CAST IRON FRAME



NOTE

1.TOLERANCE :

| | | |
|----------------|--------|------------------|
| CENTER HEIGHT | 12.5 | +0.000 -0.060 |
| SHAFT DIAMETER | ∅2.625 | +0.000 -0.001 |
| KEYWAY WIDTH | 0.625 | +0.002 -0.000 |



VIEW "A"

TEFC STANDARD

| Q'TY | DESCRIPTION | MATERIAL | DIMENSION | WEIGHT | PART NO. | REMARK | NO. |
|---------|-------------|----------|-----------------|---------|-----------------------------------|----------------|-----------|
| APPD BY | 강경중 | UNIT | mm | SUBJECT | XL SERIES Fr.5008/5009-2P | DWG SIZE | A4 (1:19) |
| CHKD BY | 김진홍 | SCALE | 1/19 | TITLE | CAST IRON T-BOX Outline | | |
| CHKD BY | 김옥진 | PROJEC'N | 3각법 (3rd Angle) | REF. NO | Sheet No. | of | |
| DSND BY | 김양규 | DATE | 2013-01-05 | DWG NO | LM-T0509B3CL001 | Revision No. 1 | |

