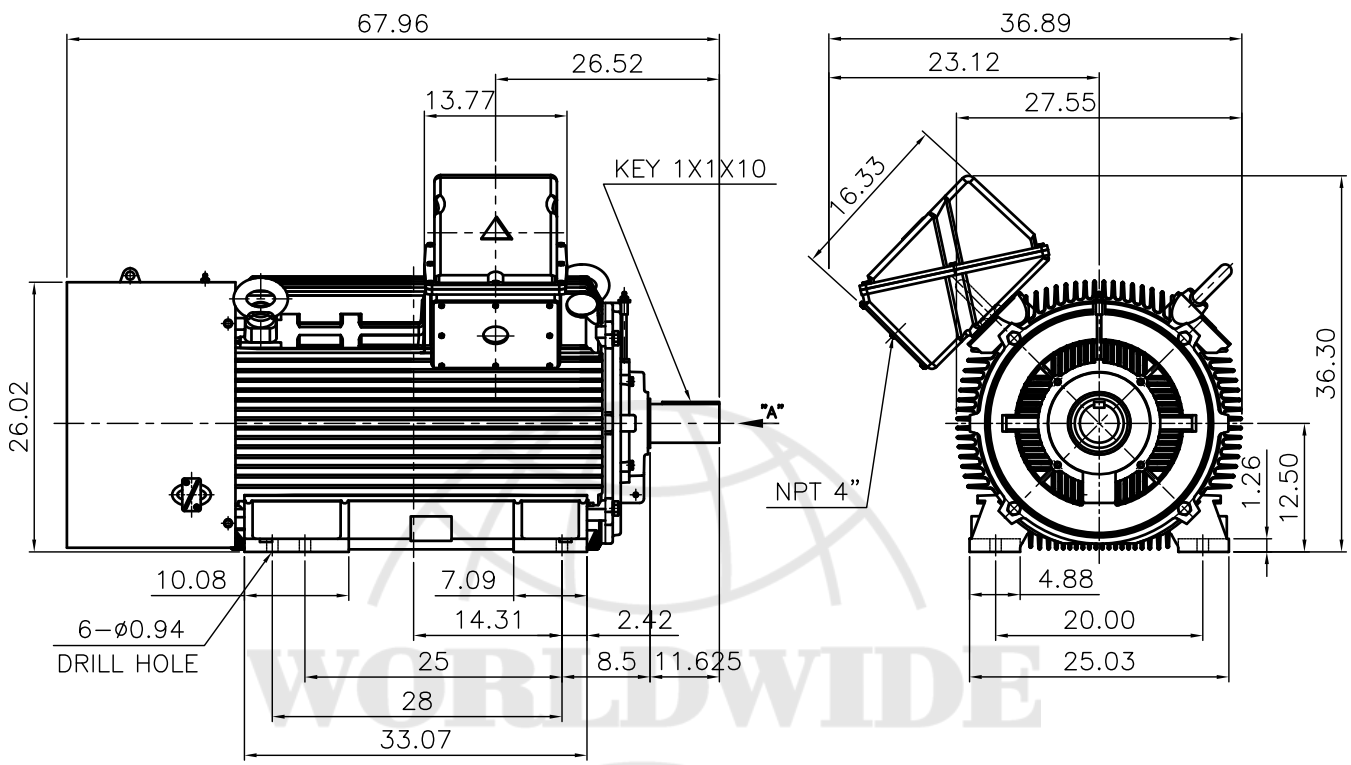




TEFC
THREE PHASE INDUCTION MOTOR

TYPE

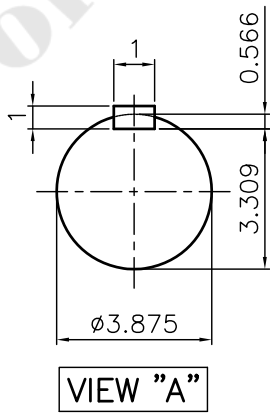
L,J,LP,JP
CAST IRON FRAME



NOTE

1.TOLERANCE :

CENTER HEIGHT	12.5	+0.000 -0.060
SHAFT DIAMETER	ø3.875	+0.000 -0.001
KEYWAY WIDTH	1	+0.003 -0.000



TEFC STANDARD

Q'TY	DESCRIPTION	MATERIAL	DIMENSION	WEIGHT	PART NO.	REMARK	NO.
APPD BY	강경중	UNIT	mm	SUBJECT	XL SERIES Fr.5008/5009-4~20P	DWG SIZE	A4 (1:19)
CHKD BY	김진홍	SCALE	1/19	TITLE	CAST IRON T-BOX		
CHKD BY	김옥진	PROJEC'N	3각법 (3rd Angle)	Outline			
DSND BY	김양규	DATE	2013-01-05				
HYUNDAI HEAVY INDUSTRIES CO., LTD.				REF. NO	Sheet No. of		
				DWG NO	LM-T0509B3PL001	Revision No. 1	