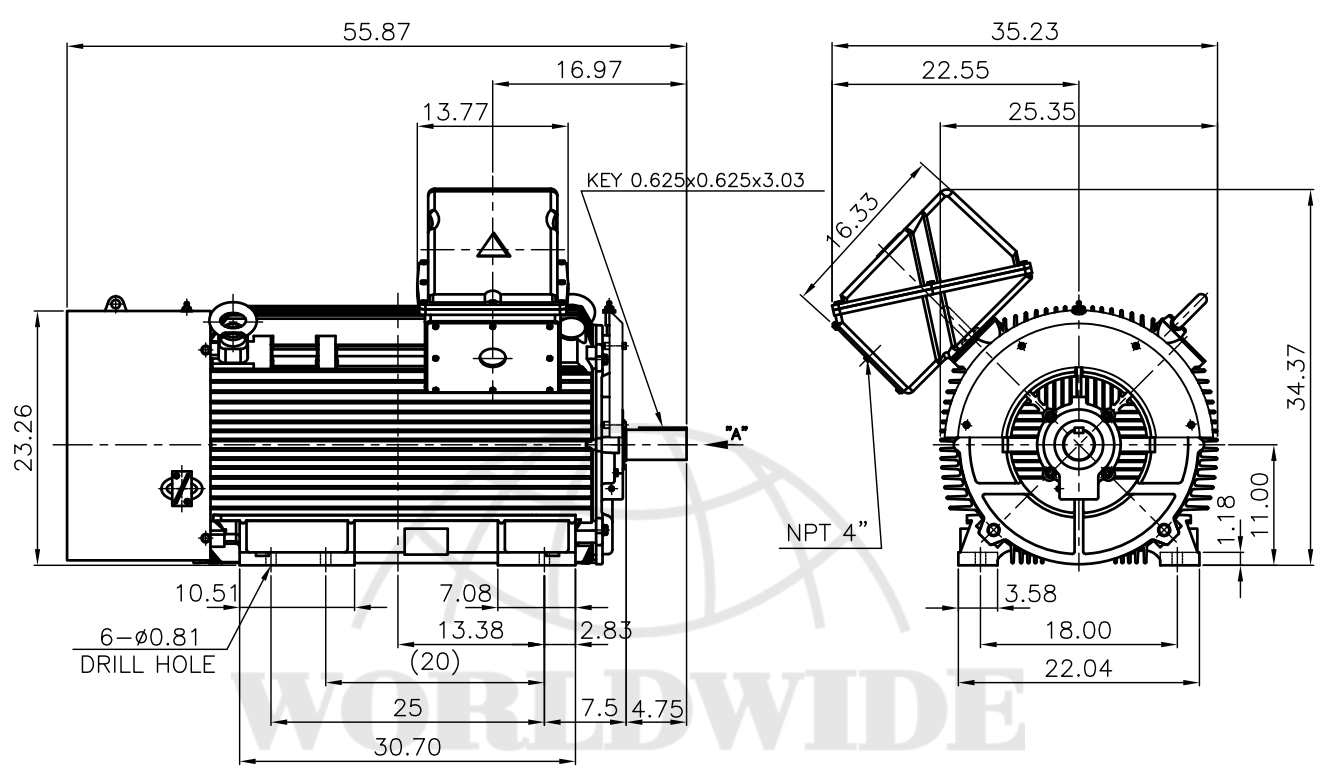


THIS DRAWING IS PROPRIETARY TO HHI. NO PART OF THIS DRAWING MAYBE REPRODUCED WITHOUT THE PERMISSION OF HHI.

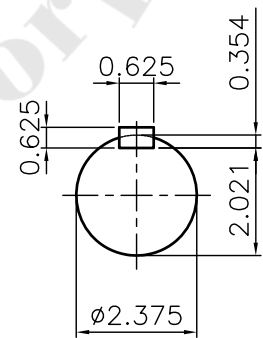
	TEFC	TYPE	L,J,LP,JP
THREE PHASE INDUCTION MOTOR		CAST IRON FRAME	



NOTE

1. TOLERANCE :

CENTER HEIGHT	11	+0.000 -0.060
SHAFT DIAMETER	ø2.375	+0.000 -0.001
KEYWAY WIDTH	0.625	+0.002 -0.000



VIEW "A"

TEFC STANDARD

Q'TY	DESCRIPTION	MATERIAL	DIMENSION	WEIGHT	PART NO.	REMARK	NO.
APPD BY	강경중	UNIT	mm	SUBJECT	XL SERIES Fr.449TS-2P(44KJH)	DWG SIZE	A4 (1:18)
CHKD BY	김진홍	SCALE	1/18				
CHKD BY	김옥진	PROJEC'N	3각법 (3rd Angle)	TITLE NEMA STD SHAFT(AISI 1045 SHAFT) Outline			
DSND BY	김양규	DATE	2013-01-05				