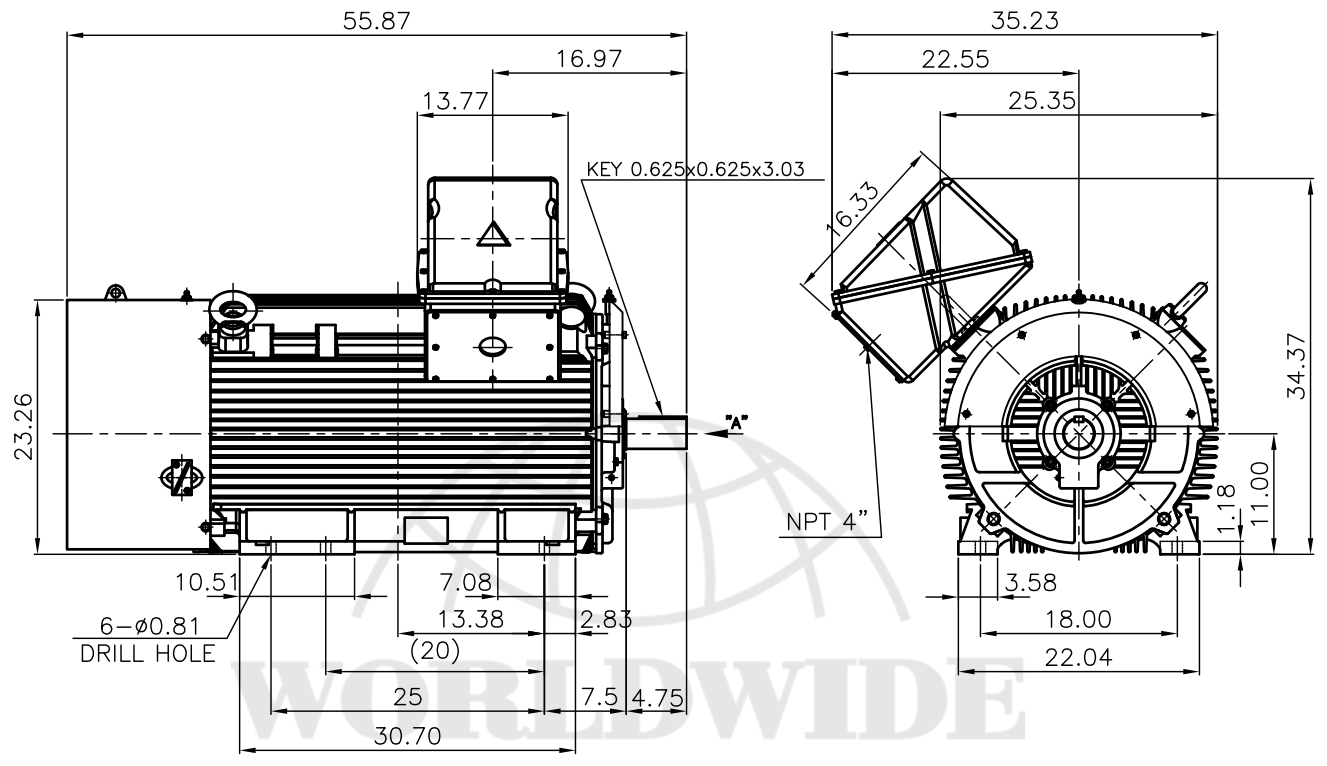


THIS DRAWING IS PROPRIETARY TO HHI. NO PART OF THIS DRAWING MAYBE REPRODUCED WITHOUT THE PERMISSION OF HHI.

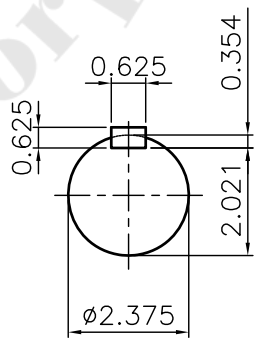
		<h1 style="margin: 0;">TEFC</h1> <h2 style="margin: 0;">THREE PHASE INDUCTION MOTOR</h2>	<b>TYPE</b> L,J,LP,JP CAST IRON FRAME
--	--	--	---



**NOTE**

1. TOLERANCE :

CENTER HEIGHT	11	+0.000	-0.060
SHAFT DIAMETER	$\phi 2.375$	+0.000	-0.001
KEYWAY WIDTH	0.625	+0.002	-0.000



VIEW "A"

TEFC STANDARD

Q'TY	DESCRIPTION	MATERIAL	DIMENSION	WEIGHT	PART NO.	REMARK	NO.
APPD BY	강경중	UNIT	mm	SUBJECT	XL SERIES Fr.449TS-2P(44KJH)	DWG SIZE	A4 (1:18)
CHKD BY	김진홍	SCALE	1/18				
CHKD BY	김옥진	PROJEC'N	3각법 (3rd Angle)	TITLE NEMA STD SHAFT(AISI 1045 SHAFT) <b>Outline</b>			
DSND BY	김양규	DATE	2013-01-05				
				REF. NO	Sheet No. of		
				DWG NO	LM-T044XB3CL001	Revision No. 1	