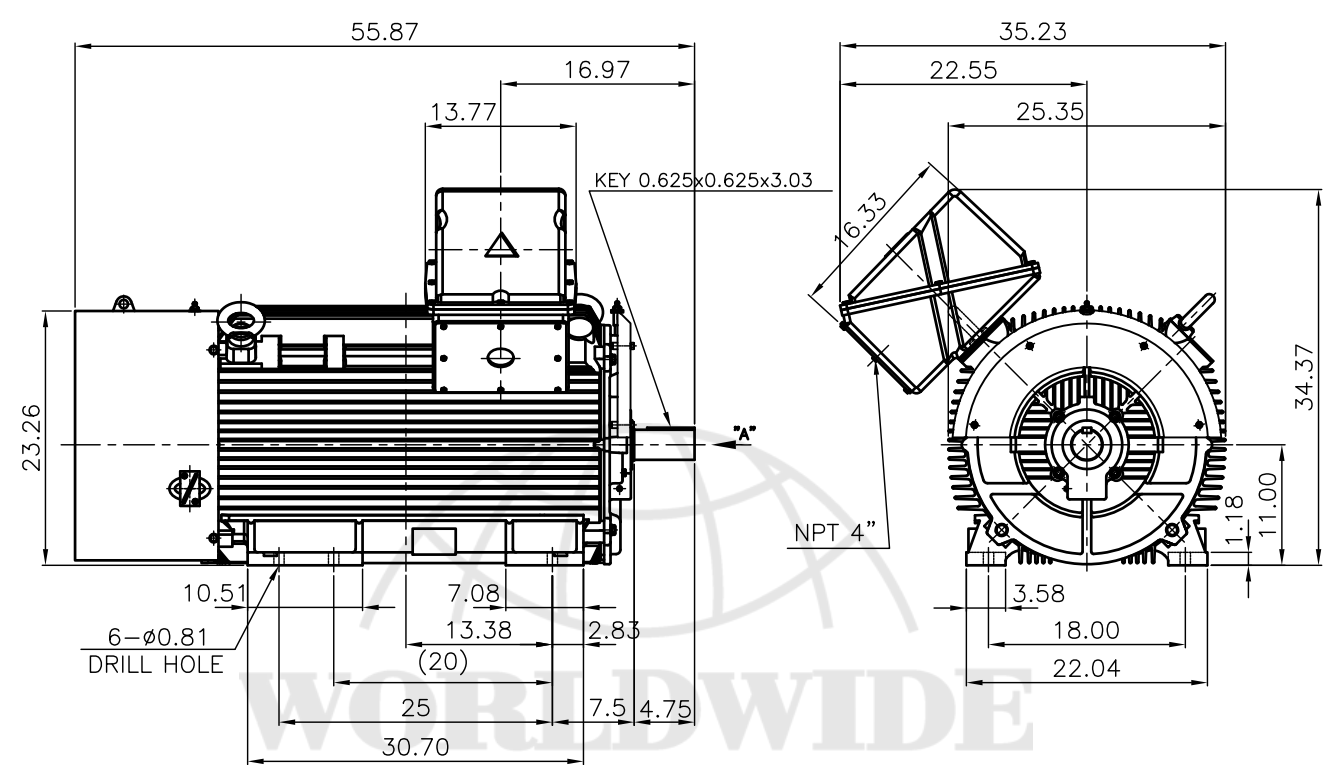


THIS DRAWING IS PROPRIETARY TO HHI. NO PART OF THIS DRAWING  
MAYBE REPRODUCED WITHOUT THE PERMISSION OF HHI.

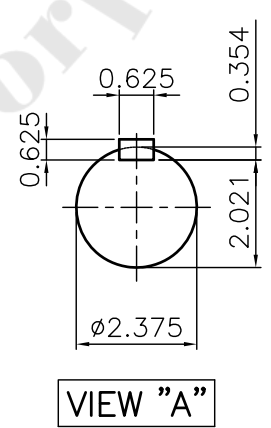
		<h1>TEFC</h1>		<b>TYPE</b> L,J,LP,JP
		<b>THREE PHASE INDUCTION MOTOR</b>		CAST IRON FRAME



**NOTE**

1.TOLERANCE :

CENTER HEIGHT	11	+0.000	-0.060
SHAFT DIAMETER	ø2.375	+0.000	-0.001
KEYWAY WIDTH	0.625	+0.002	-0.000



TEFC STANDARD

Q'TY	DESCRIPTION	MATERIAL	DIMENSION	WEIGHT	PART NO.	REMARK	NO.
APPD BY	강경중	UNIT	mm	SUBJECT	XL SERIES Fr.449TS-2P(44KJH)	DWG SIZE	A4 (1:18)
CHKD BY	김진홍	SCALE	1/18	TITLE	NEMA STD SHAFT(AISI 1045 SHAFT) Outline		
CHKD BY	김옥진	PROJEC'N	3각법 (3rd Angle)	REF. NO	Sheet No. of		
DSND BY	김양규	DATE	2013-01-05	DWG NO	LM-T044XB3CL001	Revision No. 1	