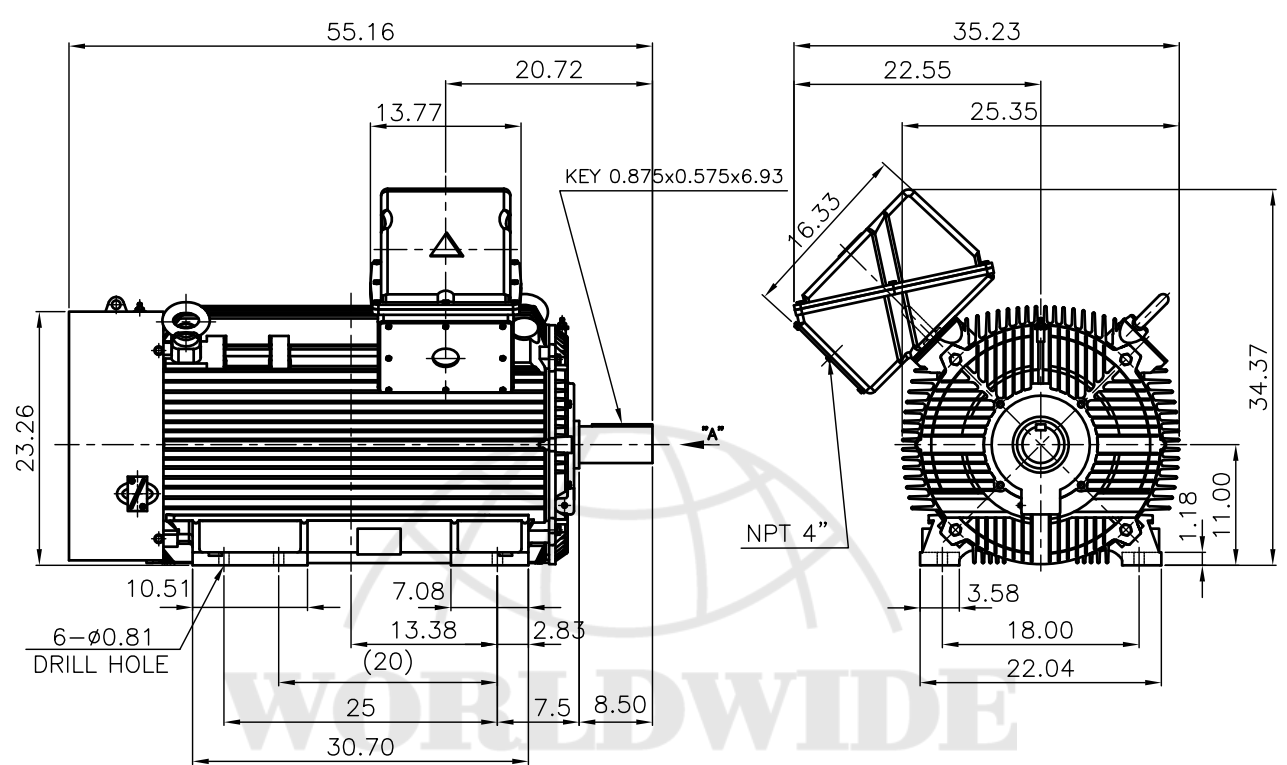


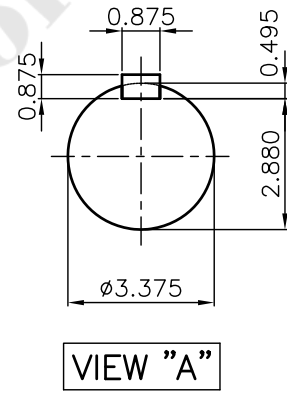
		<h1>TEFC</h1>		<b>TYPE</b>		L,J,LP,JP	
		<b>THREE PHASE INDUCTION MOTOR</b>				CAST IRON FRAME	



**NOTE**

1.TOLERANCE :

CENTER HEIGHT	11	+0.000	-0.060
SHAFT DIAMETER	ø3.375	+0.000	-0.001
KEYWAY WIDTH	0.875	+0.003	-0.000



TEFC STANDARD

Q'TY	DESCRIPTION	MATERIAL	DIMENSION	WEIGHT	PART NO.	REMARK	NO.
APPD BY	강경중	UNIT	mm	SUBJECT	XL SERIES Fr.449T-4P(44KJH)		DWG SIZE
CHKD BY	김진홍	SCALE	1/18	TITLE	NEMA STD SHAFT(4140 SHAFT)		A4 (1:18)
CHKD BY	김옥진	PROJEC'N	3각법 (3rd Angle)	Outline			
DSND BY	김양규	DATE	2013-01-05				