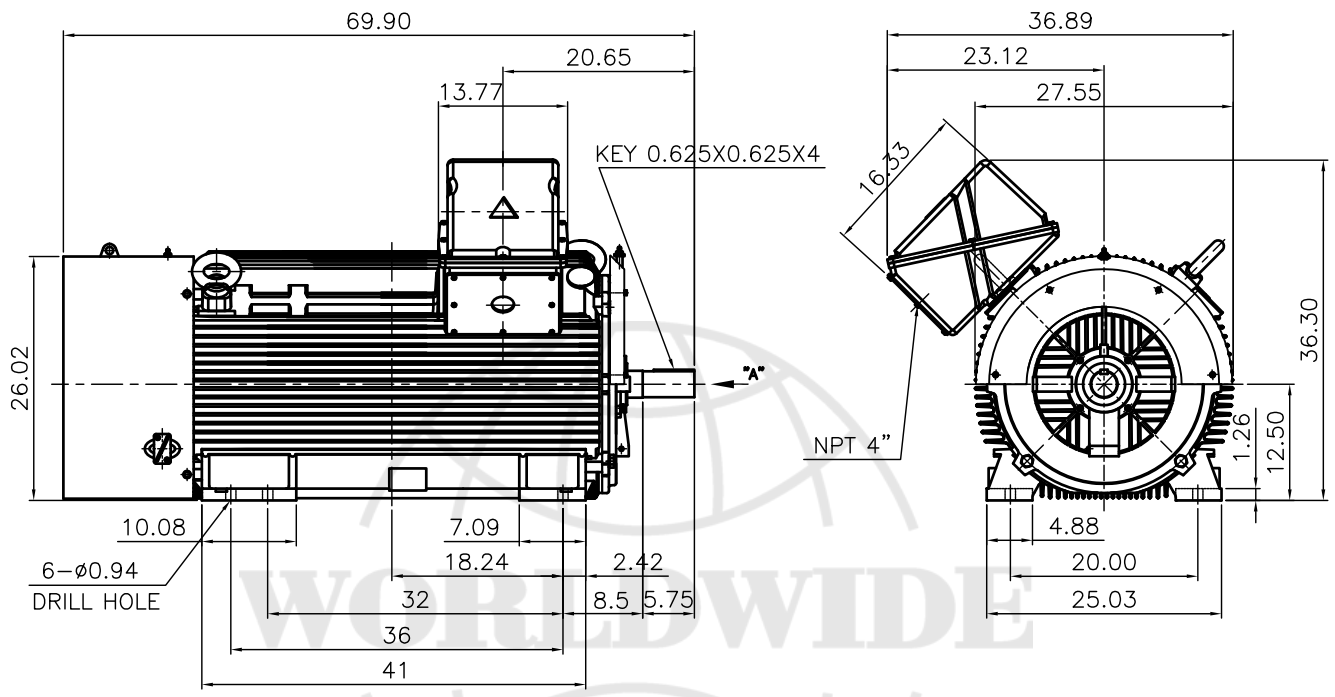




TEFC
THREE PHASE INDUCTION MOTOR

TYPE

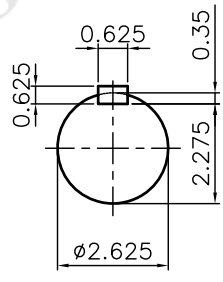
L,J,LP,JP
CAST IRON FRAME



NOTE

1.TOLERANCE :

CENTER HEIGHT	12.5	+0.000	-0.060
SHAFT DIAMETER	ø2.625	+0.000	-0.001
KEYWAY WIDTH	0.625	+0.002	-0.000



VIEW "A"

TEFC STANDARD

Q'TY	DESCRIPTION	MATERIAL	DIMENSION	WEIGHT	PART NO.	REMARK	NO.
APPD BY	강경중	UNIT	mm	SUBJECT	XL SERIES Fr.5010/5011-2P	DWG SIZE	A4 (1:21)
CHKD BY	김진홍	SCALE	1/21	TITLE	CAST IRON T-BOX		
CHKD BY	김옥진	PROJEC'N	3각법 (3rd Angle)	Outline			
DSND BY	김양규	DATE	2013-01-05				



REF. NO	Sheet No.	of
DWG NO	LM-T0511B3CL001	Revision No. 2