



# TEFC

## THREE PHASE INDUCTION MOTOR

TYPE

XLP, XJP

CAST IRON FRAME

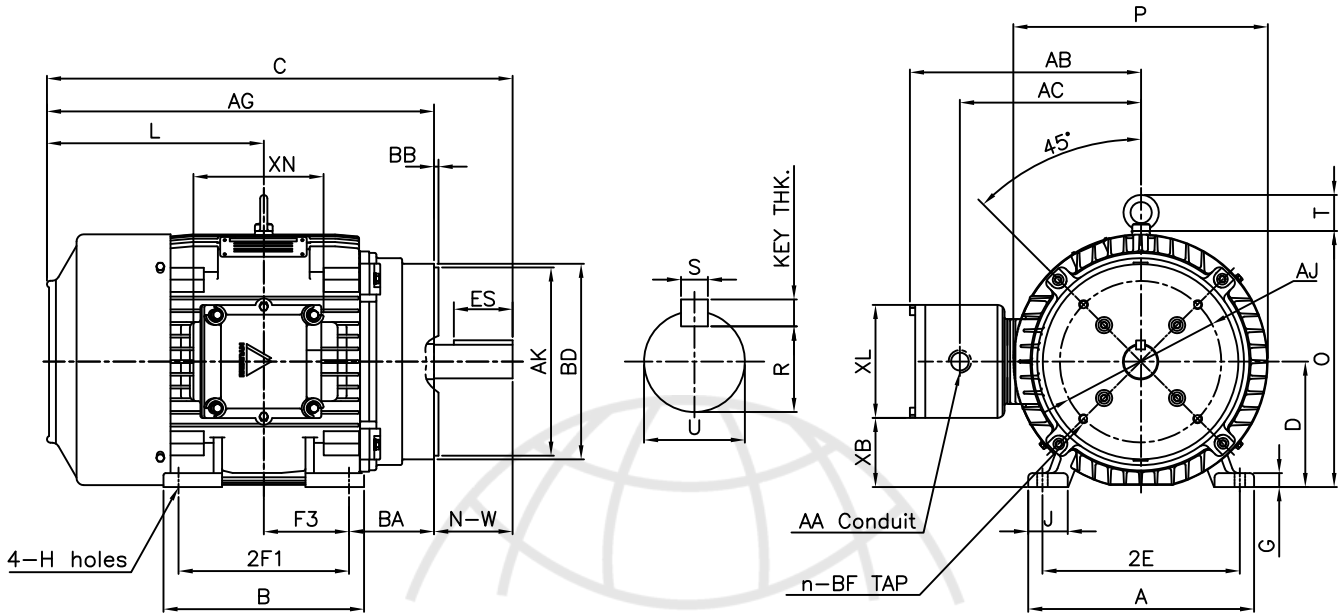
FRAME SIZE

OUTPUT(HP)

POLES

Hz

TIME RATING



### DIMENSIONS

F L A N G E						M O U N T I N G								
AJ	AK	BD	BB	BF	n	A	B	2E	2F1	2F2	F3	G	J	H
9.00	10.50	10.9	0.25	1/2-13	4	12.60	11.18	11.00	9.50	-	4.75	0.78	2.20	0.53

C O N D U I T B O X						O V E R A L L								APPROX. WGT.(LB)
AA	AB	AC	XB	XL	XN	AG	BA	C	D	L	O	P	T	
1.50	12.60	10.10	3.94	6.30	7.32	21.40	4.75	26.02	7.00	12.12	14.28	14.19	2.01	380

S H A F T					KEY THK.	B E A R I N G	
U	N-W	K E Y W A Y				D R I V E E N D	O P P . D R I V E E N D
		R	ES	S			
1.875	4.62	1.591	3.28	0.500	0.500	6310ZC3	6310ZC3

#### NOTE

- 1.Dimension "D" tolerance : +0.00inch - 0.03inch
- 2.Dimension "U" tolerance : +0.000inch - 0.0005inch
- 3.Dimension "R" tolerance : +0.000inch - 0.015inch

APPD BY	KIM.Y.S	UNIT	INCH	SUBJECT	NEMA 284TC	CAD PROJ \ FILE
CHKD BY	KO.S.H	SCALE	1/10			XSMOUTIN\A8309AA
CHKD BY		PROJEC'N	3rd Angle	TITLE OUTLINE		
DSND BY	Y.J.HWANG	DATE	2004.11.19			
				REF. NO	A1309AA	Sheet No. of
				DWG NO	LM-U1284B4TL001	Revision No. 0