



TEFC

THREE PHASE INDUCTION MOTOR

TYPE

XKP

CAST IRON FRAME

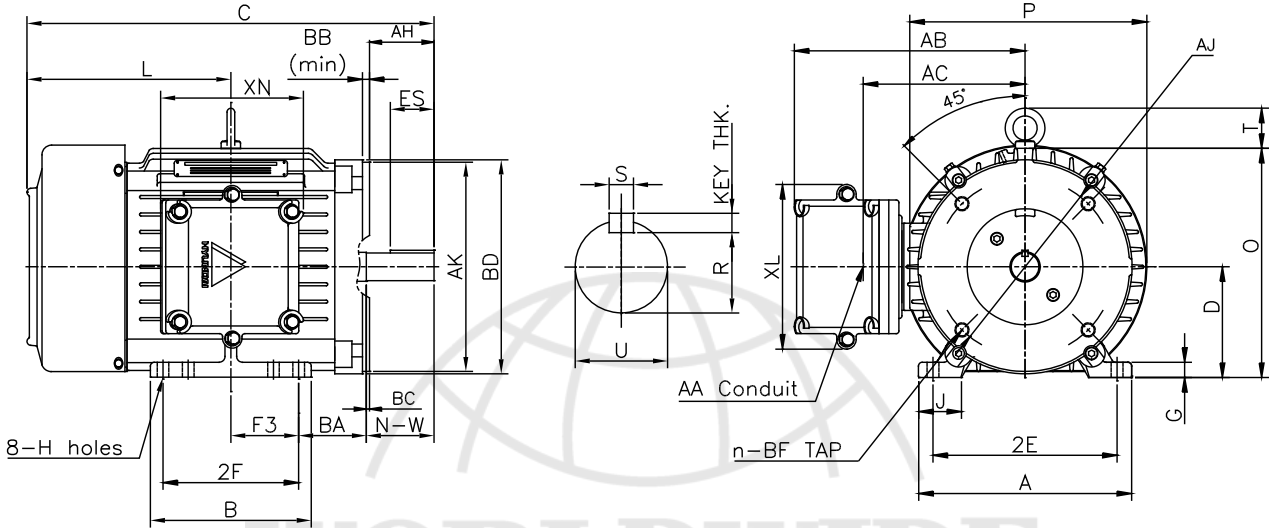
FRAME SIZE

OUTPUT(HP)

POLES

Hz

TIME RATING



DIMENSIONS

FLANGE							M O U N T I N G									
AJ	AK	BD	BB	BC	BF	n	A	B	2E	2F	-	F3	G	J	H	
7.250	8.50	8.70	0.25	+0.12	1/2-13	4	8.66	6.54	7.50	5.50	-	2.75	0.62	1.74	0.41	

CONDUIT BOX						O V E R A L L							APPROX. WGT.(LB)
AA	AB	AC	XB	XL	XN	BA	C	D	L	O	P	T	
0.75	9.38	6.58	-	6.70	5.98	2.75	16.55	4.50	8.29	9.32	9.64	1.63	121

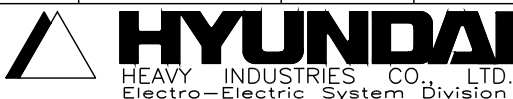
S H A F T						KEY THK.	B E A R I N G	
U	N-W	A-H	KEYWAY				DRIVE END	OPP. DRIVE END
			R	ES	S			
1.125	2.75	2.62	0.986	1.78	0.250	0.250	6206ZZC3	6206ZZC3

NOTE

- 1.Dimension "D" tolerance : +0.00inch - 0.03inch
- 2.Dimension "U" tolerance : +0.000inch - 0.0005inch
- 3.Dimension "R" tolerance : +0.000inch - 0.015inch

APPD BY	J.H.KIM	UNIT	INCH	SUBJECT	NEMA 184TC(KIT)	CAD PROJ \ FILE
CHKD BY	N.D.LEE	SCALE	1/8			LM-U0184C4TL001
CHKD BY	K.S.LEE	PROJEC'N	3rd Angle	TITLE		
DSND BY	S.W.SEO	DATE	2012.02.11			

OUTLINE



REF. NO	LM-U0184C4TL001	Sheet No.	of
DWG NO	LM-U0184C4TL001	Revision No.	0