
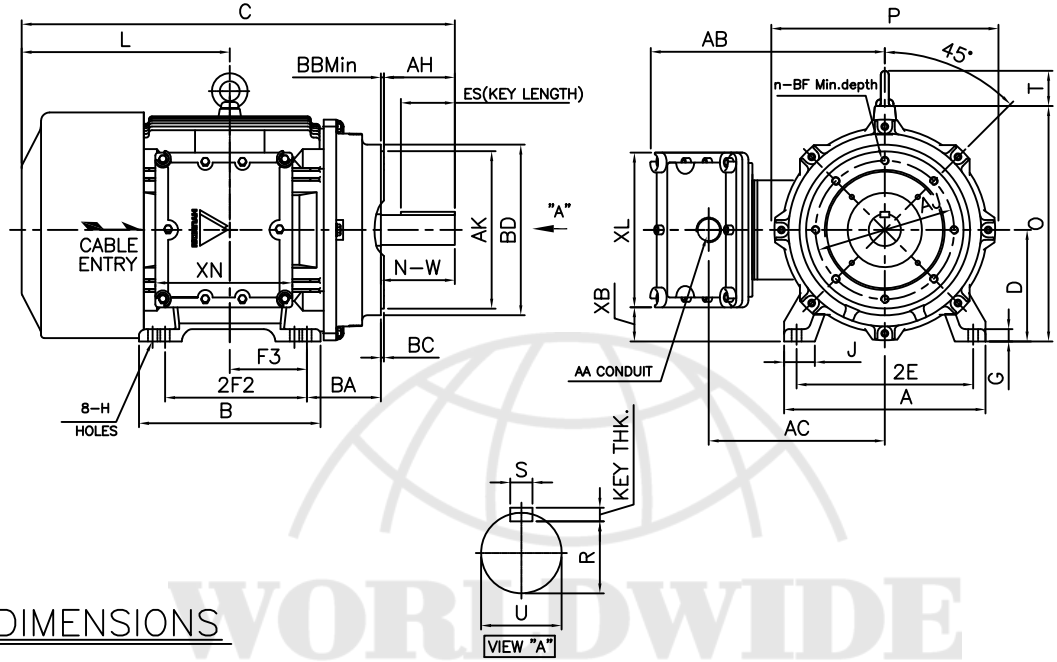


본 도면은 현대중공업(주) 재산이며 복제할 수 없습니다 (취급유의)

THIS DRAWING IS PROPRIETARY TO HHI. NO PART OF THIS DRAWING MAYBE REPRODUCED WITHOUT THE PERMISSION OF HHI.

	<h1 style="margin: 0;">TEFC</h1> <h2 style="margin: 0;">THREE PHASE INDUCTION MOTOR</h2>	<h3 style="margin: 0;">TYPE</h3>	XKP,XIP Cast iron frame
---	--	----------------------------------	----------------------------

FRAME SIZE	OUTPUT(HP)	POLES	Hz	TIME RATING
364TC			60	CONT



MOUNTING									CONDUIT BOX						APPROX. WGT.(LB)
A	B	2E	2F1	2F2	F3	G	J	H	AA	AB	AC	XB	XL	XN	
15.98	14.41	14.00	-	11.25	6.122	0.98	2.44	0.66	3.00	18.89	14.37	2.71	12.28	10.86	2P: 1069 or 4P: 1135 6P: 1135

OVERALL							SHAFT					KEY	BEARING	
BA	C	D	L	O	P	T	U	N-W	KEYWAY			THK.	DRIVE END	OPP. DRIVE END
									R	ES	S			
5.88	34.38	9.00	16.51	18.70	18.03	2.80	2.375	5.88	2.021	4.28	0.625	0.625	6314C3	6213C3

C-FACE								
AJ	AK	BBmin	BC	BD	BF	BF Def.	n	AH
11.00	12.50	0.25	0.25	13.54	5/8-11	0.94	8	5.62

NOTE

- 1.Dimension "D" tolerance : +0.00inch ~ -0.03inch (143TC-365TC) : +0.000inch ~ -0.06inch (404TC-449TC)
- 2.Dimension "U" tolerance : +0.000inch ~ -0.0005inch (143TC-215TC): +0.000inch ~ -0.001inch (254TC-449TC)
- 3.Dimension "R" tolerance : +0.000inch ~ - 0.015inch
- 4.Dimension "AK" tolerance : +0.000inch ~ -0.003inch (143TC-286TC): +0.000inch ~ -0.005inch (324TC-449TC)

Q'TY	DESCRIPTION	MATERIAL	DIMENSION	WEIGHT	PART NO.	REMARK	NO.
APPD BY		UNIT	mm	SUBJECT	364T		DWG SIZE
CHKD BY		SCALE	1/15	<h2 style="margin: 0;">Outline</h2>			A4 (1:15)
CHKD BY		PROJEC'N	3각법(3rd Angle)				
DSND BY	김종선	DATE	2012-05-07				