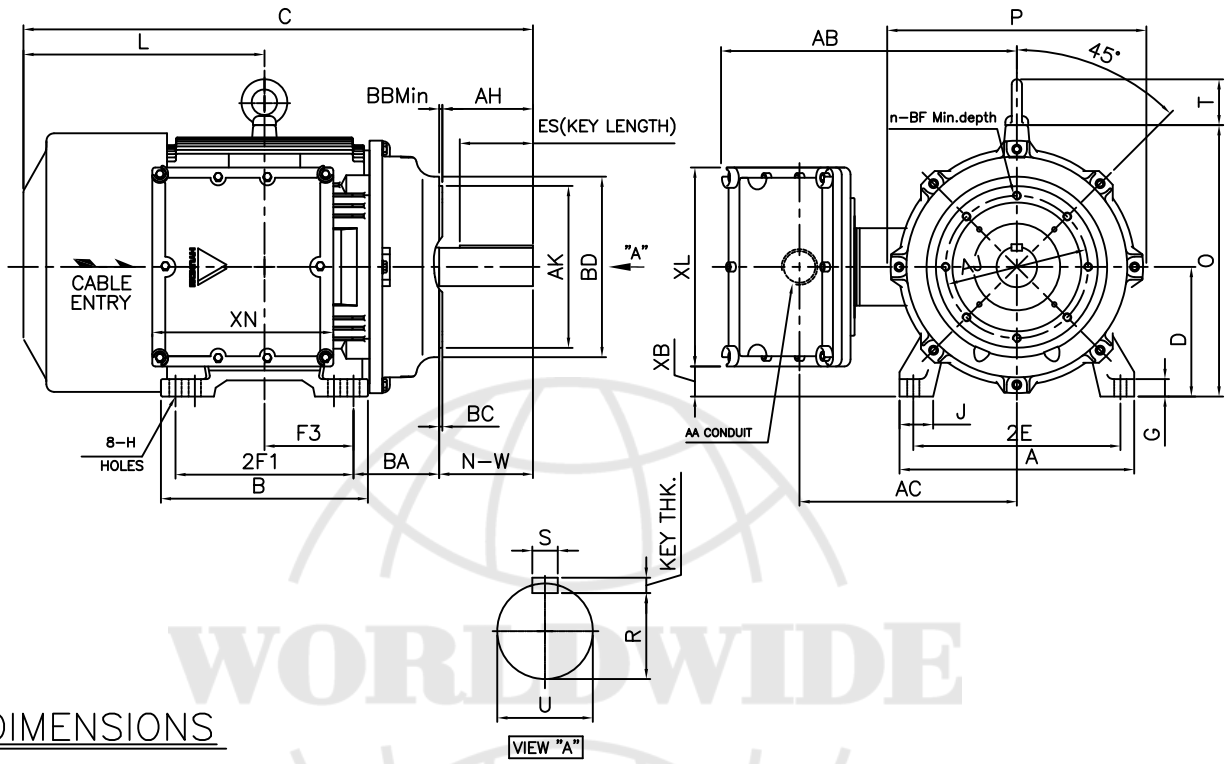


본 도면은 현대중공업(주) 재산이므로 허가없이 복사할 수 없습니다 (취급유의)

THIS DRAWING IS PROPRIETARY TO HHI. NO PART OF THIS DRAWING MAYBE REPRODUCED WITHOUT THE PERMISSION OF HHI.

	TEFC	TYPE	XKP,XIP
THREE PHASE INDUCTION MOTOR			Cast iron frame

FRAME SIZE	OUTPUT(HP)	POLES	Hz	TIME RATING
405TC			60	CONT



MOUNTING									CONDUIT BOX					APPROX. WGT.(LB)	
A	B	2E	2F1	2F2	F3	G	J	H	AA	AB	AC	XB	XL		XN
18.11	15.98	16.00	13.75	-	6.870	1.18	2.59	0.81	3.00	22.83	17.32	2.16	15.35	13.97	2P: 1864 4P: 1852 6P: 1852

OVERALL							SHAFT			KEY THK.	BEARING			
BA	C	D	L	O	P	T	U	N-W	R		ES	S	DRIVE END	OPP. DRIVE END
6.62	39.33	10.00	18.60	20.94	20.00	3.55	2.875	7.25	2.450	5.65	0.750	0.750	NU316 or 6316C3	6313C3

C - F A C E								
AJ	AK	BB Min	BC	BD	BF	BF depth	n	AH
11.00	12.50	0.25	0.25	13.93	5/8-11	0.94	8	7.00

**NOTE**

- 1.Dimension "D" tolerance : +0.00inch ~ -0.03inch (143TC-365TC) : +0.000inch ~ -0.06inch (404TC-449TC)
- 2.Dimension "U" tolerance : +0.000inch ~ -0.0005inch (143TC-215TC): +0.000inch ~ -0.001inch (254TC-449TC)
- 3.Dimension "R" tolerance : +0.000inch ~ - 0.015inch
- 4.Dimension "AK" tolerance : +0.000inch ~ -0.003inch (143TC-286TC): +0.000inch ~ -0.005inch (324TC-449TC)

Q'TY	DESCRIPTION	MATERIAL	DIMENSION	WEIGHT	PART NO.	REMARK	NO.
APPD BY		UNIT	mm	SUBJECT	405TC		DWG SIZE
CHKD BY		SCALE	1/15	TITLE <b>Outline</b>			A4 (1:15)
CHKD BY		PROJEC'N	3각법(3rd Angle)				
DSND BY	김종선	DATE	2012-05-02				