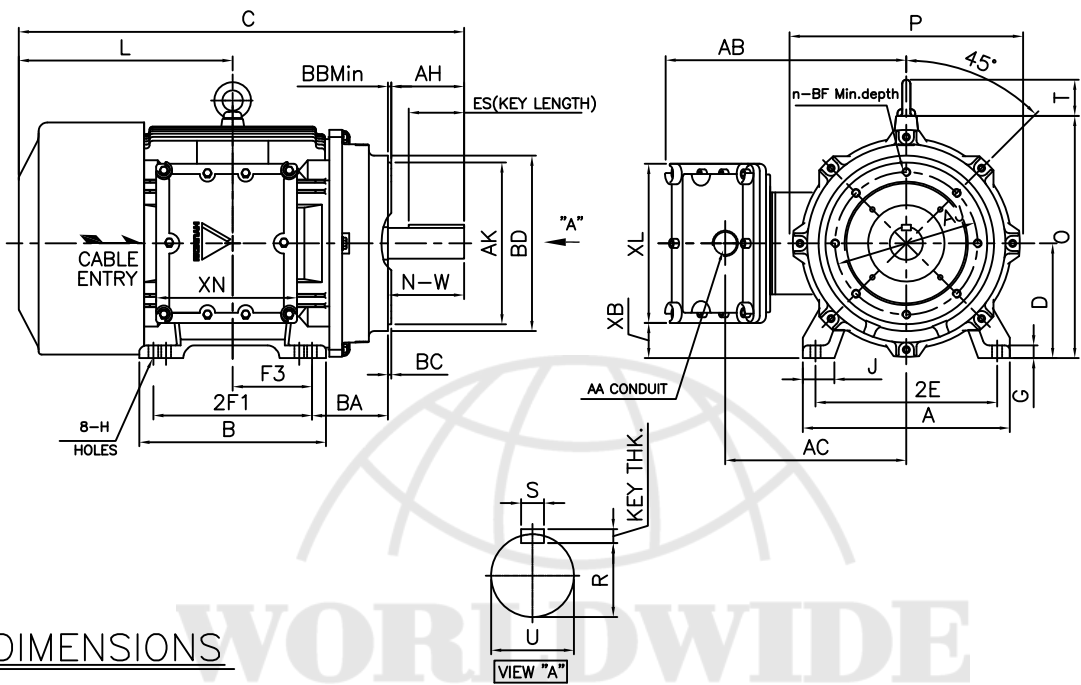


본 도면은 현대중공업(주) 재산이므로
허가없이 복사할 수 없습니다 (취급유의)

THIS DRAWING IS PROPRIETARY TO HHI. NO PART OF THIS DRAWING
MAYBE REPRODUCED WITHOUT THE PERMISSION OF HHI.

	TEFC			TYPE	XKP, XIP
	THREE PHASE INDUCTION MOTOR				Cast iron frame

FRAME SIZE	OUTPUT(HP)	POLES	Hz	TIME RATING
365TC			60	CONT



DIMENSIONS

MOUNTING									CONDUIT BOX						APPROX. WGT.(LB)
A	B	2E	2F1	2F2	F3	G	J	H	AA	AB	AC	XB	XL	XN	
15.98	14.41	14.00	12.25	-	6.122	0.98	2.44	0.66	3.00	18.89	14.37	2.71	12.28	10.86	

OVERALL							SHAFT			KEY	BEARING			
BA	C	D	L	O	P	T	U	N-W	KEYWAY			THK.	DRIVE END	OPP. DRIVE END
			R	ES	S									
5.88	34.38	9.00	16.51	18.70	18.03	2.80	2.375	5.88	2.021	4.28	0.625	0.625	6314C3	6213C3

C-FACE								
AJ	AK	BBmin	BC	BD	BF	BF Def.	n	AH
11.00	12.50	0.25	0.25	13.54	5/8-11	0.94	8	5.62

NOTE

- 1.Dimension "D" tolerance : +0.00inch ~ -0.03inch (143TC-365TC) : +0.000inch ~ -0.06inch (404TC-449TC)
- 2.Dimension "U" tolerance : +0.000inch ~ -0.0005inch (143TC-215TC): +0.000inch ~ -0.001inch (254TC-449TC)
- 3.Dimension "R" tolerance : +0.000inch ~ - 0.015inch
- 4.Dimension "AK" tolerance : +0.000inch ~ -0.003inch (143TC-286TC): +0.000inch ~ -0.005inch (324TC-449TC)

Q'TY	DESCRIPTION	MATERIAL	DIMENSION	WEIGHT	PART NO.	REMARK	NO.
APPD BY	UNIT	mm	SUBJECT	365TC		DWG SIZE	
CHKD BY	SCALE	1/15	TITLE	Outline		A4 (1:15)	
CHKD BY	PROJEC'N	3각법(3rd Angle)					
DSND BY	김종선	DATE	2012-05-02				
				REF. NO	Sheet No. of		
				DWG NO	LM-U0365C4TL001	Revision No. 0	