
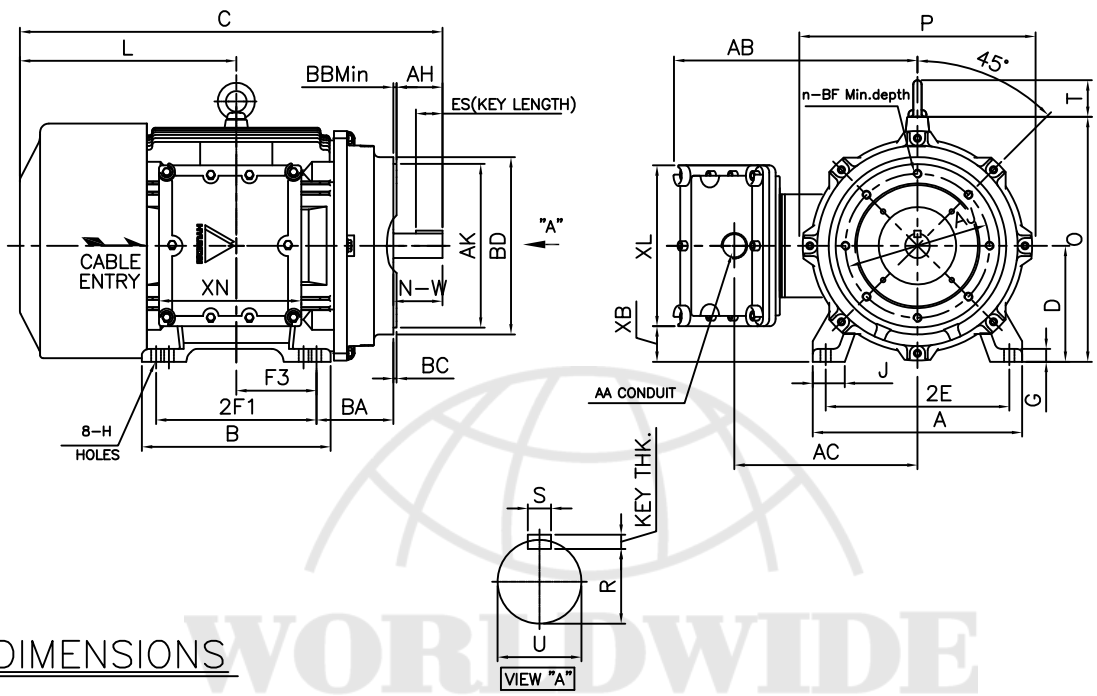


본 도면은 현대중공업(주) 재산이므로 허가없이 복사할 수 없음 (취급주의)

THIS DRAWING IS PROPRIETARY TO HHI. NO PART OF THIS DRAWING MAYBE REPRODUCED WITHOUT THE PERMISSION OF HHI.

 <b>HYUNDAI</b> HEAVY INDUSTRIES CO., LTD.	TEFC	TYPE	XKP, XIP
THREE PHASE INDUCTION MOTOR			Cast iron frame

FRAME SIZE	OUTPUT(HP)	POLES	Hz	TIME RATING
365TSC			60	CONT



DIMENSIONS

MOUNTING										CONDUIT BOX						APPROX. WGT.(LB)
A	B	2E	2F1	2F2	F3	G	J	H		AA	AB	AC	XB	XL	XN	
15.98	14.41	14.00	12.25	-	6.122	0.98	2.44	0.66		3.00	18.89	14.37	2.71	12.28	10.86	2P: 1109 or 4P: 1175 6P: 1195

OVERALL							SHAFT					KEY	BEARING	
BA	C	D	L	O	P	T	U	N-W	KEYWAY			THK.	DRIVE END	OPP. DRIVE END
									R	ES	S			
5.88	32.25	9.00	16.51	18.70	18.03	2.80	1.875	3.75	1.591	2.03	0.500	0.500	6213C3	6213C3

C-FACE								
AJ	AK	BBmin	BC	BD	BF	BF Def.	n	AH
11.00	12.50	0.25	0.25	13.54	5/8-11	0.94	8	3.50

NOTE

- 1.Dimension "D" tolerance : +0.00inch ~ -0.03inch (143TC-365TC) : +0.000inch ~ -0.06inch (404TC-449TC)
- 2.Dimension "U" tolerance : +0.000inch ~ -0.0005inch (143TC-215TC): +0.000inch ~ -0.001inch (254TC-449TC)
- 3.Dimension "R" tolerance : +0.000inch ~ - 0.015inch
- 4.Dimension "AK" tolerance : +0.000inch ~ -0.003inch (143TC-286TC): +0.000inch ~ -0.005inch (324TC-449TC)

Q'TY	DESCRIPTION	MATERIAL	DIMENSION	WEIGHT	PART NO.	REMARK	NO.
APPD BY		UNIT	mm	SUBJECT	365TSC		DWG SIZE
CHKD BY		SCALE	1/15	Outline			A4 (1:15)
CHKD BY		PROJEC'N	3각법(3rd Angle)				
DSND BY	김중선	DATE	2012-06-14				



REF. NO		Sheet No.	of
DWG NO	LM-U0365C4TS001	Revision No.	1