



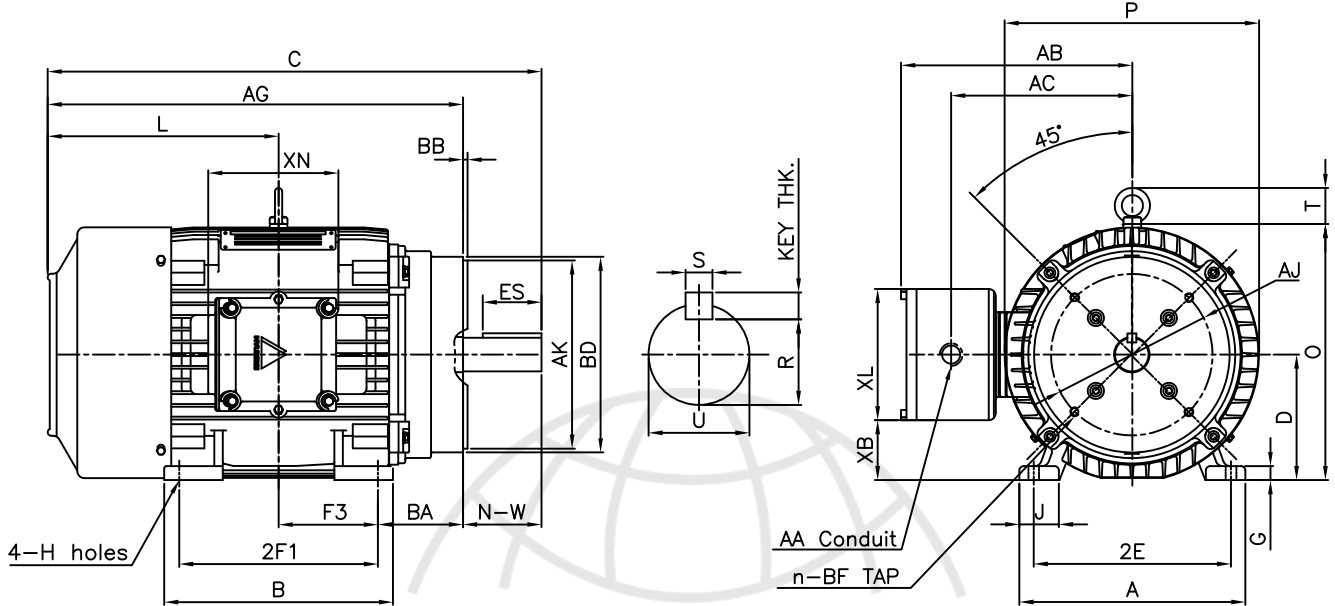
# TEFC

## THREE PHASE INDUCTION MOTOR

**TYPE**

XLP, XJP  
CAST IRON FRAME

FRAME SIZE	OUTPUT(HP)	POLES	Hz	TIME RATING



### DIMENSIONS

F L A N G E						M O U N T I N G								
AJ	AK	BD	BB	BF	n	A	B	2E	2F1	2F2	F3	G	J	H
9.00	10.50	10.9	0.25	1/2-13	4	12.60	12.68	11.00	11.00	-	5.50	0.78	2.20	0.53

C O N D U I T   B O X						O V E R A L L								APPROX. WGT.(LB)
AA	AB	AC	XB	XL	XN	AG	BA	C	D	L	O	P	T	
1.50	12.60	10.10	3.94	6.30	7.32	22.90	4.75	27.52	7.00	12.87	14.28	14.19	2.01	410

S H A F T					KEY THK.	B E A R I N G	
U	N-W	KEYWAY				DRIVE END	OPP. DRIVE END
		R	ES	S			
1.875	4.62	1.591	3.28	0.500	0.500	6310ZC3	6310ZC3

**NOTE**

- 1.Dimension "D" tolerance : +0.00inch - 0.03inch
- 2.Dimension "U" tolerance : +0.000inch - 0.0005inch
- 3.Dimension "R" tolerance : +0.000inch - 0.015inch

APPD BY	KIM.Y.S	UNIT	INCH	SUBJECT	NEMA 286TC	CAD PROJ \ FILE
CHKD BY	KO.S.H	SCALE	1/10	TITLE	OUTLINE	XSMOUTIN\A8310AA
CHKD BY		PROJEC'N	3rd Angle			
DSND BY	Y.J.HWANG	DATE	2004.11.19			



REF. NO	A1310AA	Sheet No.	of
DWG NO	LM-U1286B4TL001	Revision No.	0