



TEFC

THREE PHASE INDUCTION MOTOR

TYPE

XKP, XIP

CAST IRON FRAME

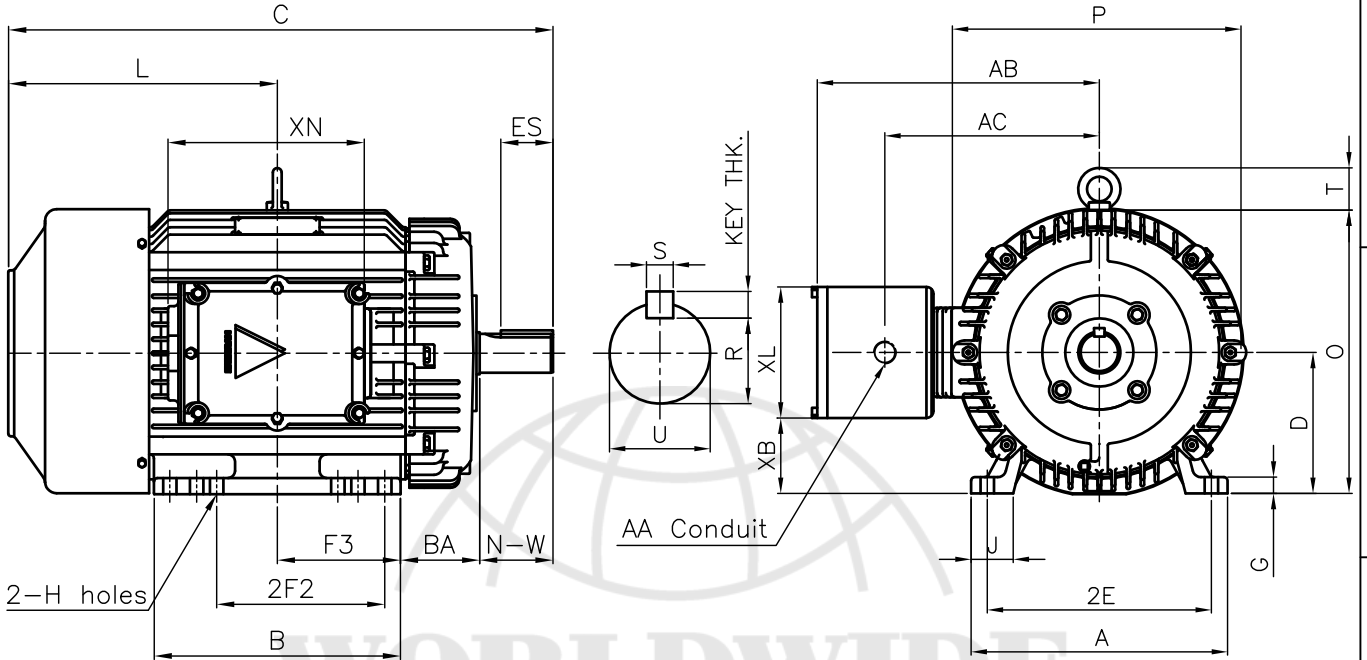
FRAME SIZE

OUTPUT(HP)

POLES

Hz

TIME RATING



DIMENSIONS

M O U N T I N G								C O N D U I T B O X					APPROX. WGT.(LB) 324TS	
A	B	2E	2F2 ⁴⁾	F3	G	J	H	AA	AB	AC	XB	XL		XN
14.33	15.74	12.50	10.50	6.99	1.11	2.36	0.66	2.00	15.27	11.02	3.94	7.87	11.26	800

O V E R A L L							S H A F T					KEY THK.	B E A R I N G	
BA	C	D	L	O	P	T	U	N-W	KEYWAY				DRIVE END	OPP. DRIVE END
									R	ES	S			
5.25	31.53	8.00	15.55	16.19	15.84	2.41	1.875	3.75	1.591	2.03	0.500	0.500	6313ZC3	6211ZC3

NOTE

- 1.Dimension "D" tolerance : +0.00inch - 0.03inch
- 2.Dimension "U" tolerance : +0.000inch - 0.001inch
- 3.Dimension "R" tolerance : +0.000inch - 0.015inch
- 4.Location of holes for 324T frame

APPD BY	KIM.Y.S	UNIT	INCH	SUBJECT	NEMA 324TS	CAD PROJ \ FILE		
CHKD BY	KO.S.H	SCALE	1/12			XSMOUTN\A1112BA		
CHKD BY		PROJEC'N	3rd Angle	TITLE				OUTLINE
DSND BY	LEE KWANG SOO	DATE	2004.04.02					
REF. NO				A1112BA		Sheet No. of		
DWG NO				LM-U0324B3SL001		Revision No. 0		

