



# TEFC

**THREE PHASE INDUCTION MOTOR**

**TYPE**

XKP,XIP

CAST IRON FRAME

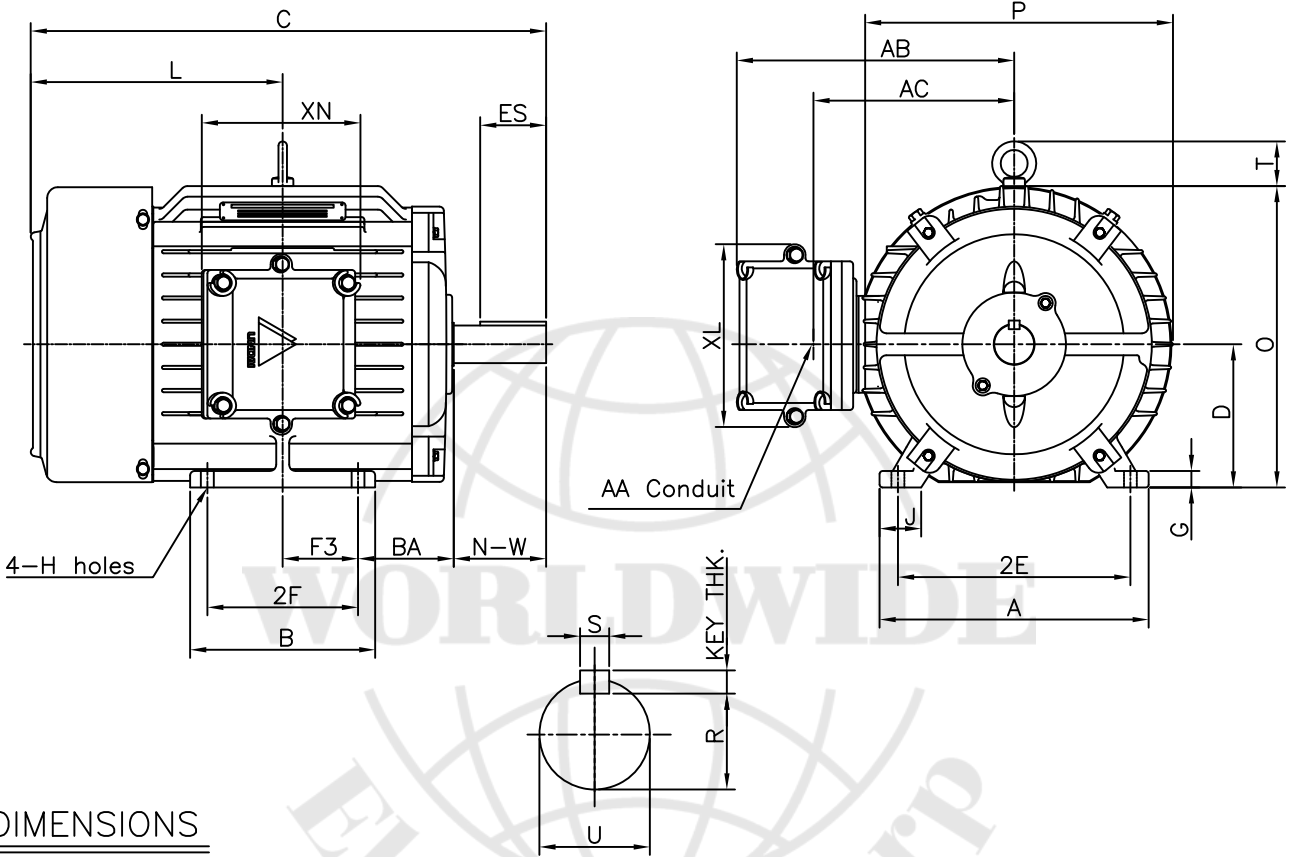
FRAME SIZE

OUTPUT(HP)

POLES

Hz

TIME RATING



DIMENSIONS

M O U N T I N G									C O N D U I T B O X						APPROX. WGT.(lb)
A	B	2E	2F	-	F3	G	J	H	AA	AB	AC	XB	XL	XN	
9.85	6.77	8.50	5.50	-	2.75	0.60	1.52	0.41	1.00	10.15	7.35	-	6.69	5.98	160

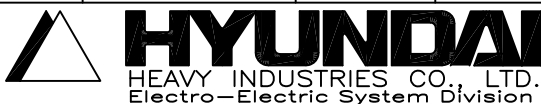
O V E R A L L							S H A F T					KEY THK.	B E A R I N G	
BA	C	D	L	O	P	T	U	N-W	K E Y W A Y				DRIVE END	OPP. DRIVE END
									R	ES	S			
3.50	18.86	5.25	9.22	11.02	11.26	1.63	1.375	3.38	1.201	2.41	0.312	0.312	6307ZZC3	6307ZZC3

**NOTE**

- 1.Dimension "D" tolerance : +0.00inch - 0.03inch
- 2.Dimension "U" tolerance : +0.000inch - 0.0005inch
- 3.Dimension "R" tolerance : +0.000inch - 0.015inch

APPD BY	J.H.KIM	UNIT	INCH	SUBJECT	NEMA 213T	CAD PROJ \ FILE	
CHKD BY	N.D.LEE	SCALE	1/8			LM-U1213B3TL001	
CHKD BY	K.S.LEE	PROJEC'N	3rd Angle	TITLE			
DSND BY	S.W.SEO	DATE	2012.02.11				

**OUTLINE**



REF. NO	LM-U1213B3TL001	Sheet No.	of
DWG NO	LM-U1213B3TL001	Revision No.	0