



TEFC

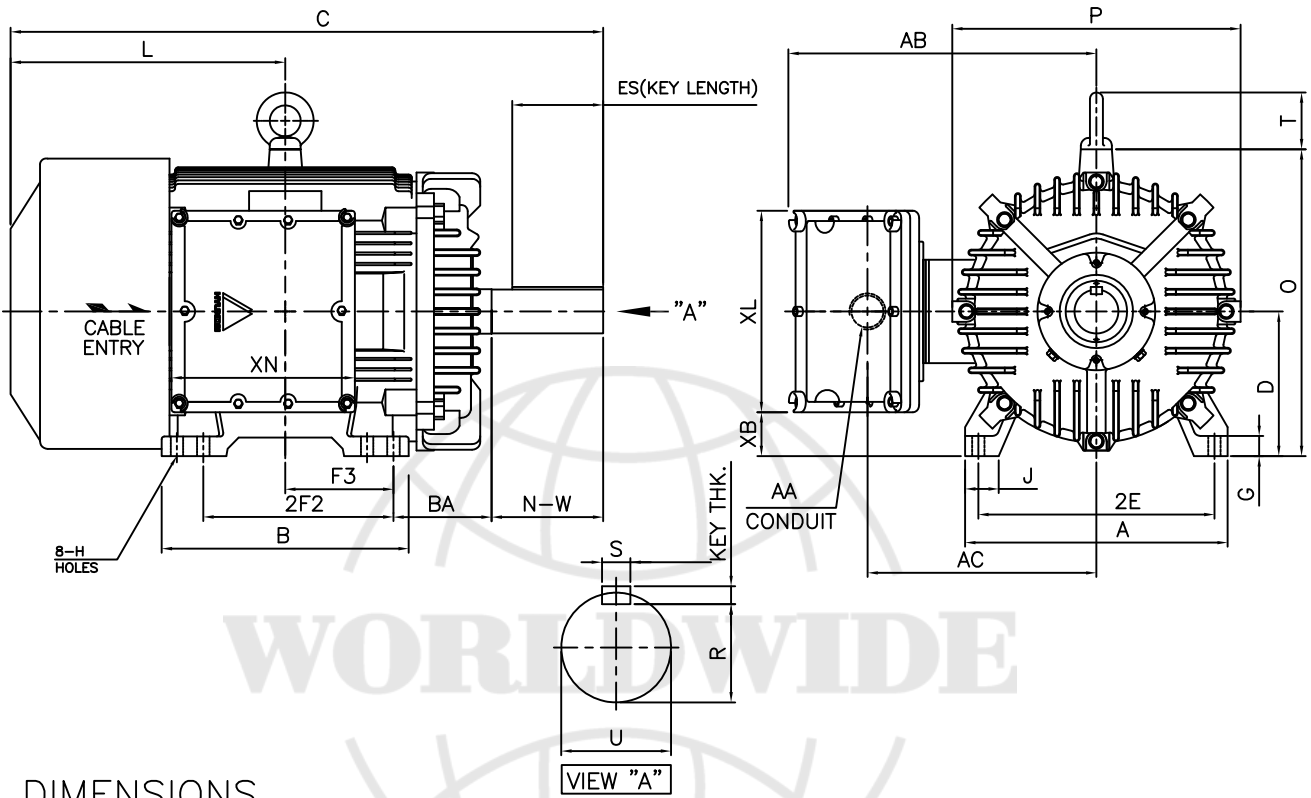
THREE PHASE INDUCTION MOTOR

TYPE

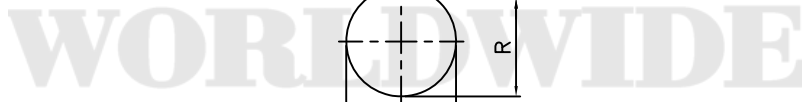
XKP, XIP

Cast iron frame

FRAME SIZE	OUTPUT(HP)	POLES	Hz	TIME RATING
444T			60	CONT



DIMENSIONS



MOUNTING

CONDUIT BOX

APPROX. WGT.(LB)
2P: 2006 or 4P: 2116 or 6P: 2116

A	B	2E	2F1	2F2	F3	G	J	H	AA	AB	AC	XB	XL	XN
20.00	18.81	18.00	-	14.50	8.248	1.53	2.56	0.81	3.00	24.01	18.30	3.34	15.35	13.97

OVERALL

SHAFT

KEY

BEARING

BA	C	D	L	O	P	T	U	N-W	KEYWAY			THK.	DRIVE END	OPP. DRIVE END
									R	ES	S			
7.50	45.15	11.00	20.92	23.38	21.97	4.33	3.375	8.50	2.880	6.93	0.875	0.875	NU318 or 6318C3	6314C3

NOTE

1. Dimension "D" tolerance : +0.00inch - 0.03inch (143T-365T) ; +0.000inch - 0.06inch (404T-449T)
2. Dimension "U" tolerance : +0.000inch - 0.005inch (143T-215T), +0.000inch - 0.001inch (254T-449T)
3. Dimension "R" tolerance : +0.000inch - 0.015inch

Q'TY	DESCRIPTION	MATERIAL	DIMENSION	WEIGHT	PART NO.	REMARK	NO.
APPD BY		UNIT mm	SUBJECT	444T			DWG SIZE
CHKD BY		SCALE 1/15					A4 (1:15)
CHKD BY		PROJEC'N 3각법(3rd Angle)	Title Outline				
DSND BY 김중선		DATE 2012-02-16					



REF. NO. _____ Sheet No. _____ of _____
 DWG NO. LM-U0444B3TL001 Revision No. 1

본 도면은 현대중공업(주) 재산이므로 허가없이 복사할 수 없습니다 (취급주의)

THIS DRAWING IS PROPRIETARY TO HHI. NO PART OF THIS DRAWING MAYBE REPRODUCED WITHOUT THE PERMISSION OF HHI.