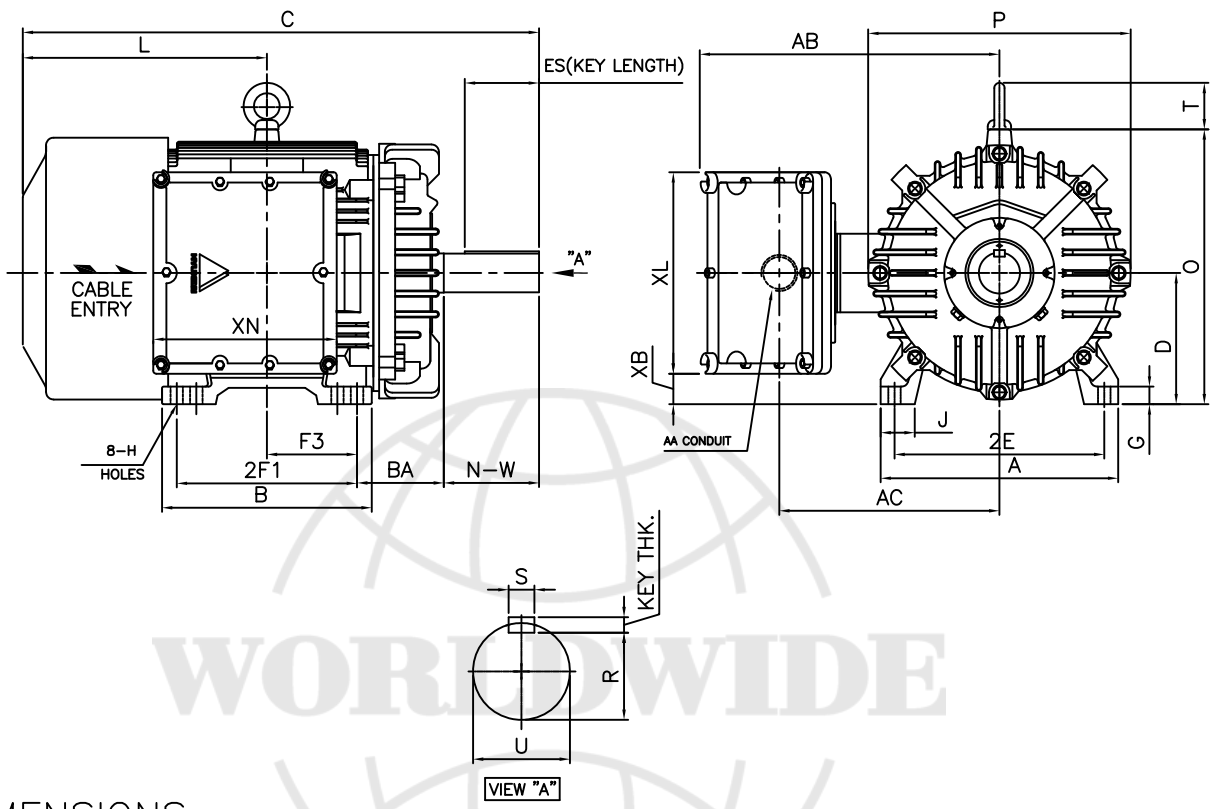


본 도면은 현대중공업(주) 재산이므로 허가없이 복사할 수 없음 (취급유의)

THIS DRAWING IS PROPRIETARY TO HHI. NO PART OF THIS DRAWING MAYBE REPRODUCED WITHOUT THE PERMISSION OF HHI.

	<h1>TEFC</h1> <h2>THREE PHASE INDUCTION MOTOR</h2>	TYPE XKP,XIP Cast iron frame	
--	--	---	--

FRAME SIZE	OUTPUT(HP)	POLES	Hz	TIME RATING
405T			60	CONT



DIMENSIONS

MOUNTING									CONDUIT BOX					APPROX. WGT.(LB)	
A	B	2E	2F1	2F2	F3	G	J	H	AA	AB	AC	XB	XL	XN	
18.11	15.98	16.00	13.75	-	6.870	1.18	2.59	0.81	3.00	22.83	17.32	2.16	15.35	13.97	2P: 1852 or 4P: 1830 or 6P: 1830
OVERALL									SHAFT			KEY	BEARING		
BA	C	D	L	O	P	T	U	N-W	KEYWAY			THK.	DRIVE END	OPP. DRIVE END	
6.62	39.33	10.00	18.60	20.94	20.00	3.55	2.875	7.25	R	ES	S				NU316 or 6316C3

NOTE

1. Dimension "D" tolerance : +0.00inch - 0.03inch (143T-365T) ; +0.000inch - 0.06inch (404T-449T)
2. Dimension "U" tolerance : +0.000inch - 0.005inch (143T-215T), +0.000inch - 0.001inch (254T-449T)
3. Dimension "R" tolerance : +0.000inch - 0.015inch

Q'TY	DESCRIPTION	MATERIAL	DIMENSION	WEIGHT	PART NO.	REMARK	NO.
APPD BY	UNIT	mm	SUBJECT	405T		DWG SIZE	
CHKD BY	SCALE	1/15	TITLE	Outline			
CHKD BY	PROJEC'N	3각법(3rd Angle)	REF. NO	Sheet No. of		DWG NO	
DSND BY 김중선	DATE	2012-02-15	DWG NO	LM-U0405B3TL001	Revision No.	1	