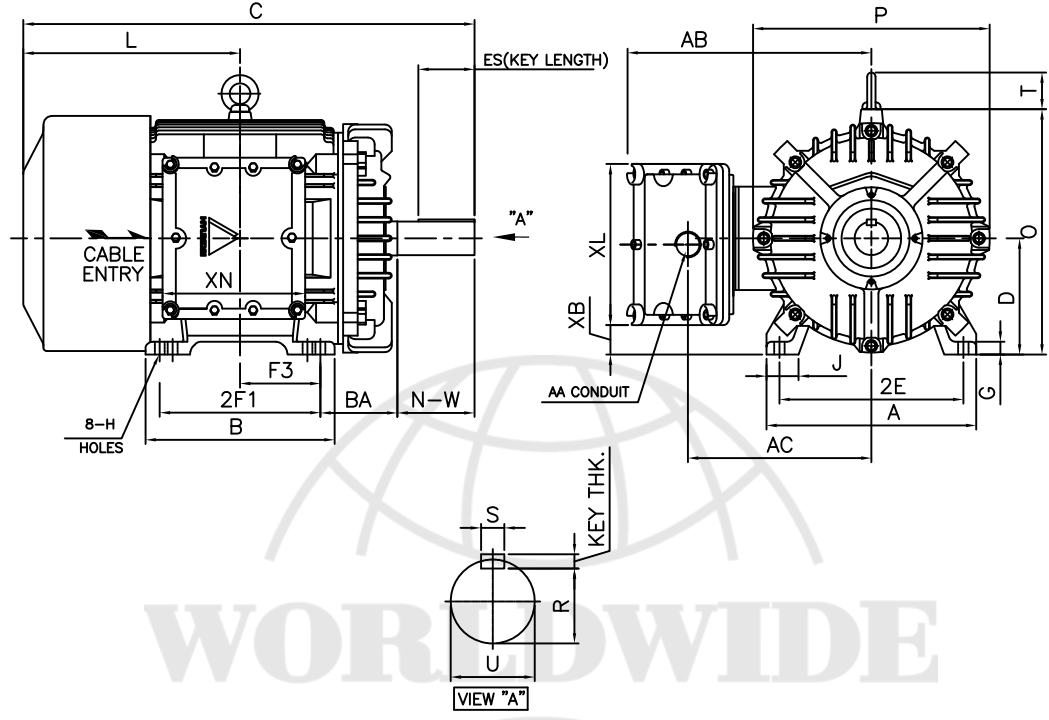


		<h1>TEFC</h1>		<h2>TYPE</h2>		XKP,XIP			
		<h3>THREE PHASE INDUCTION MOTOR</h3>				Cast iron frame			
FRAME SIZE		OUTPUT(HP)		POLES		Hz		TIME RATING	
365T						60		CONT	



DIMENSIONS

MOUNTING									CONDUIT BOX					APPROX. WGT.(LB)	
A	B	2E	2F1	2F2	F3	G	J	H	AA	AB	AC	XB	XL	XN	
15.98	14.41	14.00	12.25	-	6.122	0.98	2.44	0.66	3.00	18.89	14.37	2.24	12.28	10.86	2P: 1087 or 4P: 1153 or 6P: 1173

OVERALL						SHAFT				KEY	BEARING			
BA	C	D	L	O	P	T	U	N-W	KEYWAY			THK.	DRIVE END	OPP. DRIVE END
									R	ES	S			
5.88	34.38	9.00	16.51	18.70	18.03	2.80	2.375	5.88	2.021	4.28	0.625	0.625	6314C3	6213C3

NOTE

1. Dimension "D" tolerance : +0.00inch - 0.03inch (143T-365T) ; +0.000inch - 0.06inch (404T-449T)
2. Dimension "U" tolerance : +0.000inch - 0.005inch (143T-215T), +0.000inch - 0.001inch (254T-449T)
3. Dimension "R" tolerance : +0.000inch - 0.015inch

Q'TY	DESCRIPTION	MATERIAL	DIMENSION	WEIGHT	PART NO.	REMARK	NO.	
APPD BY		UNIT mm	SUBJECT	365T			DWG SIZE	
CHKD BY		SCALE 1/15	TITLE	Outline				A4 (1:15)
CHKD BY		PROJEC'N 3각법(3rd Angle)						
DSND BY 김중선		DATE 2012-02-15						
			REF. NO	Sheet No.		of		
			DWG NO LM-U0365B3TL001	Revision No.		1		