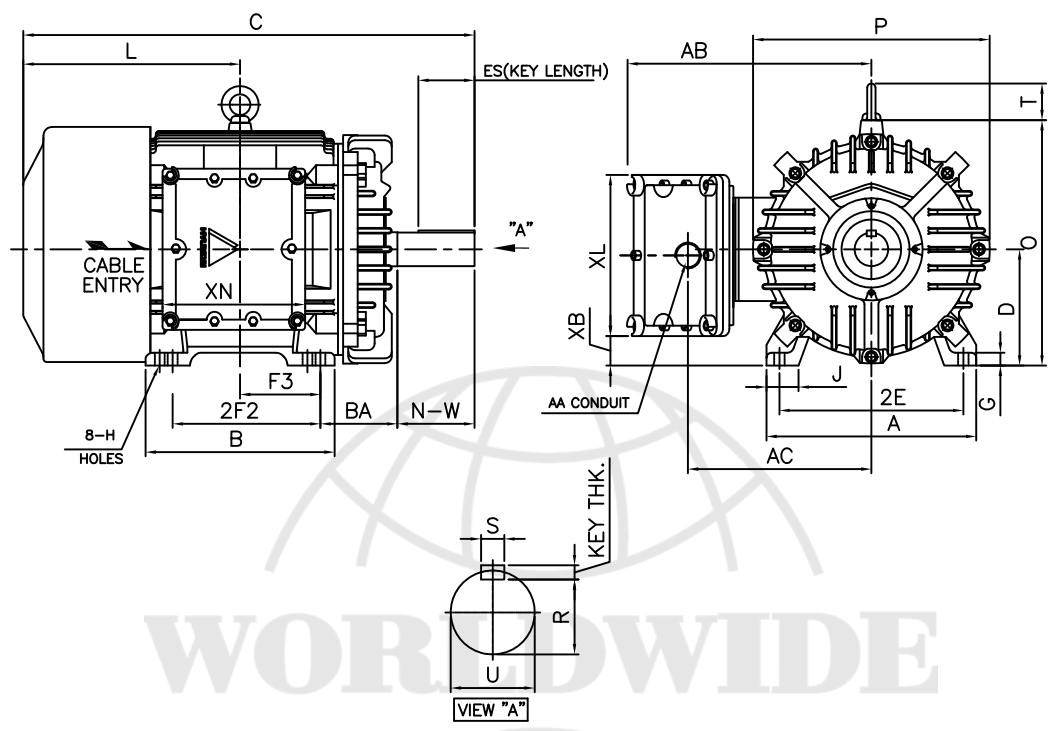


		<h1>TEFC</h1>		TYPE XKP,XIP Cast iron frame
		THREE PHASE INDUCTION MOTOR		

FRAME SIZE	OUTPUT(HP)	POLES	Hz	TIME RATING
364T			60	CONT



DIMENSIONS

MOUNTING									CONDUIT BOX					APPROX. WGT.(LB)	
A	B	2E	2F1	2F2	F3	G	J	H	AA	AB	AC	XB	XL	XN	
15.98	14.41	14.00	-	11.25	6.122	0.98	2.44	0.66	3.00	18.89	14.37	2.24	12.28	10.86	2P: 1047 or 4P: 1113 or 6P: 1113

OVERALL							SHAFT			KEY	BEARING			
BA	C	D	L	O	P	T	U	N-W	KEYWAY			THK.	DRIVE END	OPP. DRIVE END
			R	ES	S									
5.88	34.38	9.00	16.51	18.70	18.03	2.80	2.375	5.88	2.021	4.28	0.625	0.625	6314C3	6213C3

NOTE

1. Dimension "D" tolerance : +0.00inch - 0.03inch (143T-365T) ; +0.000inch - 0.06inch (404T-449T)
2. Dimension "U" tolerance : +0.000inch - 0.005inch (143T-215T), +0.000inch - 0.001inch (254T-449T)
3. Dimension "R" tolerance : +0.000inch - 0.015inch

Q'TY	DESCRIPTION	MATERIAL	DIMENSION	WEIGHT	PART NO.	REMARK	NO.
APPD BY		UNIT	mm	SUBJECT	364T	DWG SIZE	
CHKD BY		SCALE	1/15	TITLE	Outline		
CHKD BY		PROJEC'N	3각법(3rd Angle)				
DSND BY	김중선	DATE	2012-02-15				



REF. NO		Sheet No.	of
DWG NO	LM-U0364B3TL001	Revision No.	1