



TEFC

THREE PHASE INDUCTION MOTOR

TYPE

XKP,XIP

CAST IRON FRAME

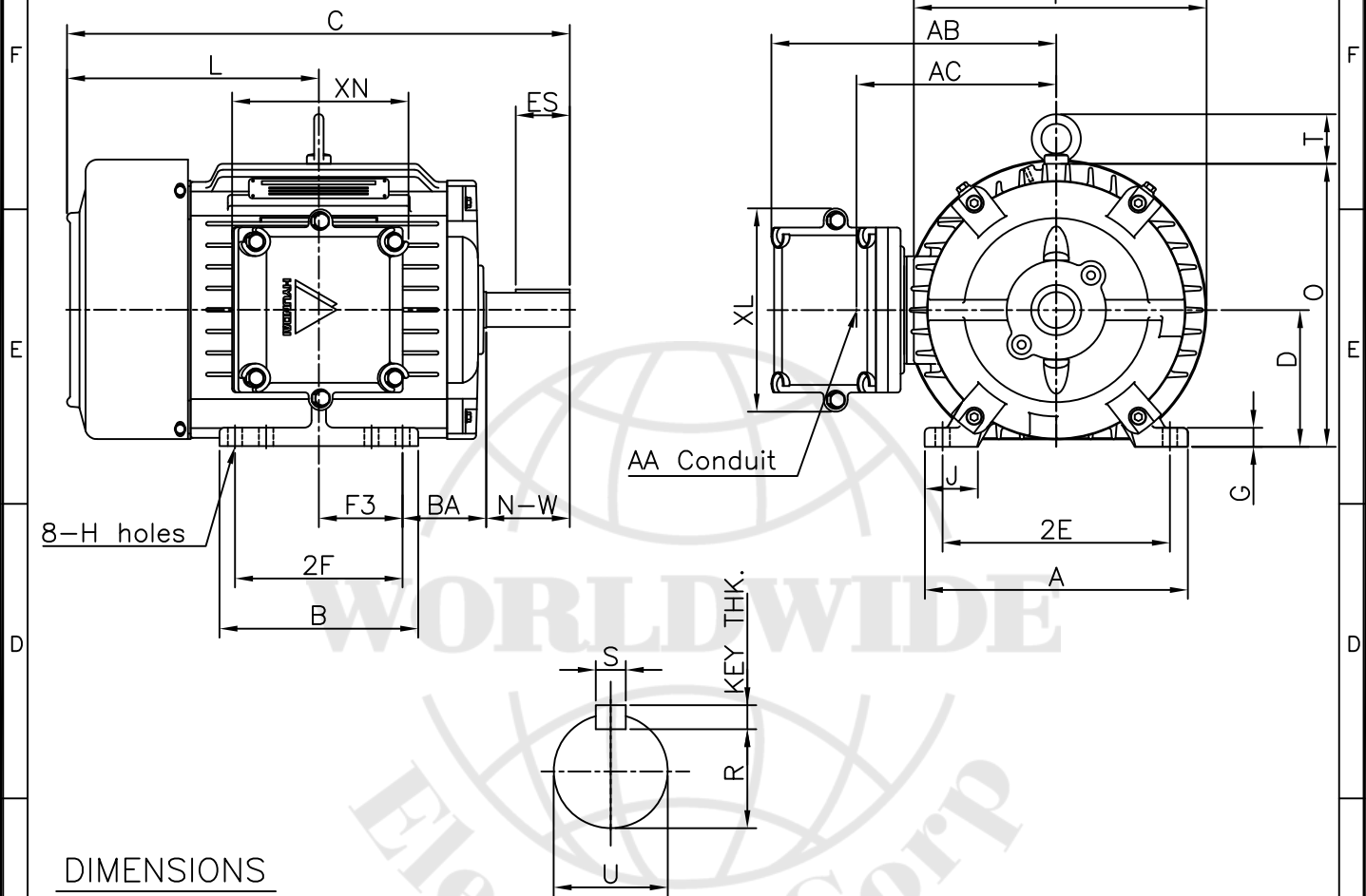
FRAME SIZE

OUTPUT(HP)

POLES

Hz

TIME RATING



DIMENSIONS

MOUNTING

CONDUIT BOX

APPROX. WGT.(lb)

A	B	2E	2F	-	F3	G	J	H	AA	AB	AC	XB	XL	XN	APPROX. WGT.(lb)
8.66	6.54	7.50	5.50	-	2.75	0.62	1.74	0.41	0.75	9.38	6.58	-	6.69	5.98	121

OVERALL

SHAFT

KEY THK.

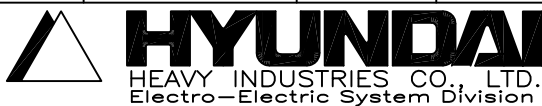
BEARING

BA	C	D	L	O	P	T	U	N-W	KEYWAY			KEY THK.	DRIVE END	OPP. DRIVE END
									R	ES	S			
2.75	16.55	4.50	8.29	9.32	9.64	1.63	1.125	2.75	0.986	1.78	0.250	0.250	6206ZZC3	6206ZZC3

NOTE

- 1.Dimension "D" tolerance : +0.00inch - 0.03inch
- 2.Dimension "U" tolerance : +0.000inch - 0.0005inch
- 3.Dimension "R" tolerance : +0.000inch - 0.015inch

APPD BY	J.H.KIM	UNIT	INCH	SUBJECT	NEMA 184T	CAD PROJ \ FILE	LM-U1184B3TL001	
CHKD BY	N.D.LEE	SCALE	1/8					
CHKD BY	K.S.LEE	PROJEC'N	3rd Angle	TITLE				OUTLINE
DSND BY	S.W.SEO	DATE	2012.02.11					



REF. NO	LM-U1184B3TL001	Sheet No.	of
DWG NO	LM-U1184B3TL001	Revision No.	0