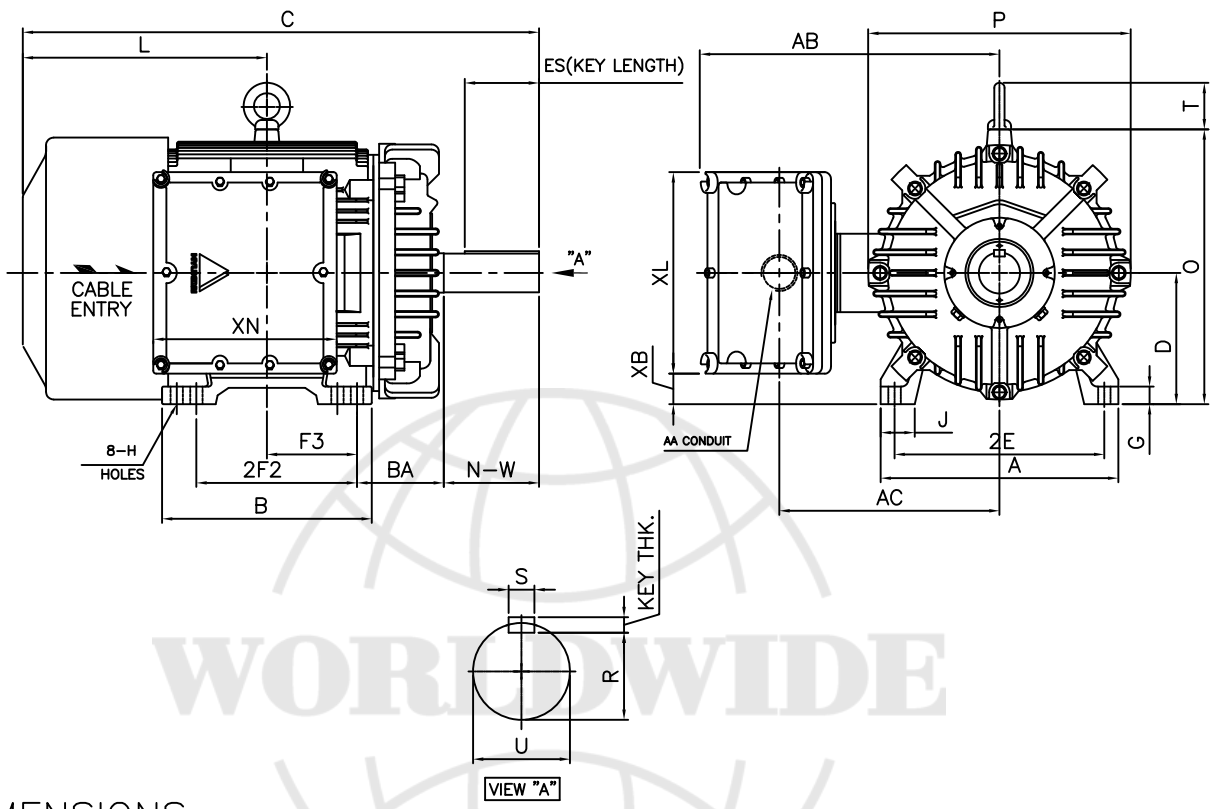


본 도면은 현대중공업(주) 재산이므로
허가없이 복사할 수 없음 (취급유의)

THIS DRAWING IS PROPRIETARY TO HHI. NO PART OF THIS DRAWING
MAYBE REPRODUCED WITHOUT THE PERMISSION OF HHI.

		<h1>TEFC</h1>		<h2>TYPE</h2>		XKP,XIP	
		<h3>THREE PHASE INDUCTION MOTOR</h3>				Cast iron frame	

FRAME SIZE	OUTPUT(HP)	POLES	Hz	TIME RATING
404T			60	CONT



DIMENSIONS

MOUNTING									CONDUIT BOX					APPROX. WGT.(LB)	
A	B	2E	2F1	2F2	F3	G	J	H	AA	AB	AC	XB	XL	XN	
18.11	15.98	16.00	-	12.25	6.870	1.18	2.59	0.81	3.00	22.83	17.32	2.16	15.35	13.97	1532

OVERALL							SHAFT			KEY	BEARING			
BA	C	D	L	O	P	T	U	N-W	KEYWAY			THK.	DRIVE END	OPP. DRIVE END
									R	ES	S			
6.62	39.33	10.00	18.60	20.94	20.00	3.55	2.875	7.25	2.450	5.65	0.750	0.750	NU316 or 6316C3	6313C3

NOTE

1. Dimension "D" tolerance : +0.00inch - 0.03inch (143T-365T) ; +0.000inch - 0.06inch (404T-449T)
2. Dimension "U" tolerance : +0.000inch - 0.005inch (143T-215T), +0.000inch - 0.001inch (254T-449T)
3. Dimension "R" tolerance : +0.000inch - 0.015inch

Q'TY	DESCRIPTION	MATERIAL	DIMENSION	WEIGHT	PART NO.	REMARK	NO.
APPD BY		UNIT	mm	SUBJECT	404T	DWG SIZE	
CHKD BY		SCALE	1/15	TITLE			A4 (1:15)
CHKD BY		PROJEC'N	3각법(3rd Angle)	Outline			
DSND BY	김중선	DATE	2012-02-15				