



TEFC

THREE PHASE INDUCTION MOTOR

TYPE

XLP, XJP

CAST IRON FRAME

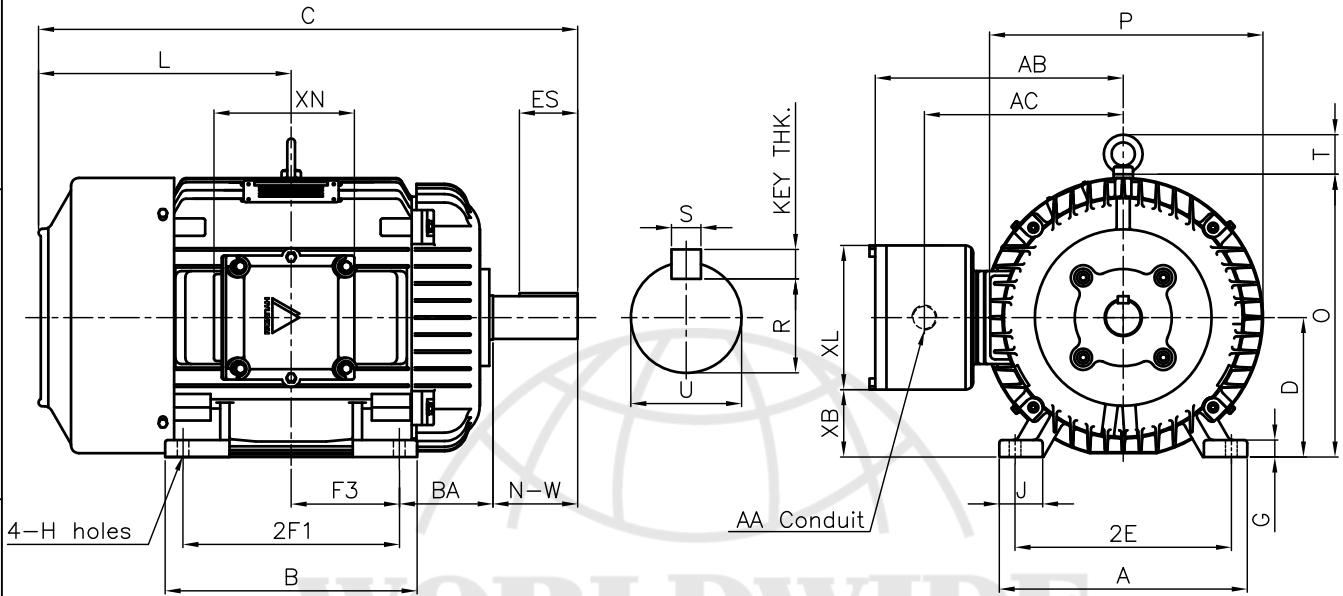
FRAME SIZE

OUTPUT(HP)

POLES

Hz

TIME RATING



DIMENSIONS

M O U N T I N G									C O N D U I T B O X						APPROX. WGT.(LB)
A	B	2E	2F1	2F2	F3	G	J	H	AA	AB	AC	XB	XL	XN	286TS
12.60	12.68	11.00	11.00	-	5.50	0.78	2.20	0.53	1.50	12.60	10.10	3.94	6.30	7.32	480

O V E R A L L							S H A F T					KEY THK.	B E A R I N G	
BA	C	D	L	O	P	T	U	N-W	KEYWAY				DRIVE END	OPP. DRIVE END
									R	ES	S			
4.75	26.34	7.00	12.84	14.28	14.19	2.01	1.625	3.25	1.416	1.91	0.375	0.375	6310ZC3	6310ZC3

NOTE

- 1.Dimension "D" tolerance : +0.00inch - 0.03inch
- 2.Dimension "U" tolerance : +0.000inch - 0.001inch
- 3.Dimension "R" tolerance : +0.000inch - 0.015inch

APPD BY	J. H. KIM	UNIT	INCH	SUBJECT	NEMA 286TS	CAD PROJ \ FILE	XSMOUTN\A1110BA
CHKD BY	K. S. LEE	SCALE	1/10	TITLE	<h1>OUTLINE</h1>		
CHKD BY		PROJEC'N	3rd Angle				
DSND BY	KIM IN KYU	DATE	2010.12.31				
				REF. NO	A1110BA	Sheet No.	of
				DWG NO	LM-U1286B3SL001	Revision No.	0