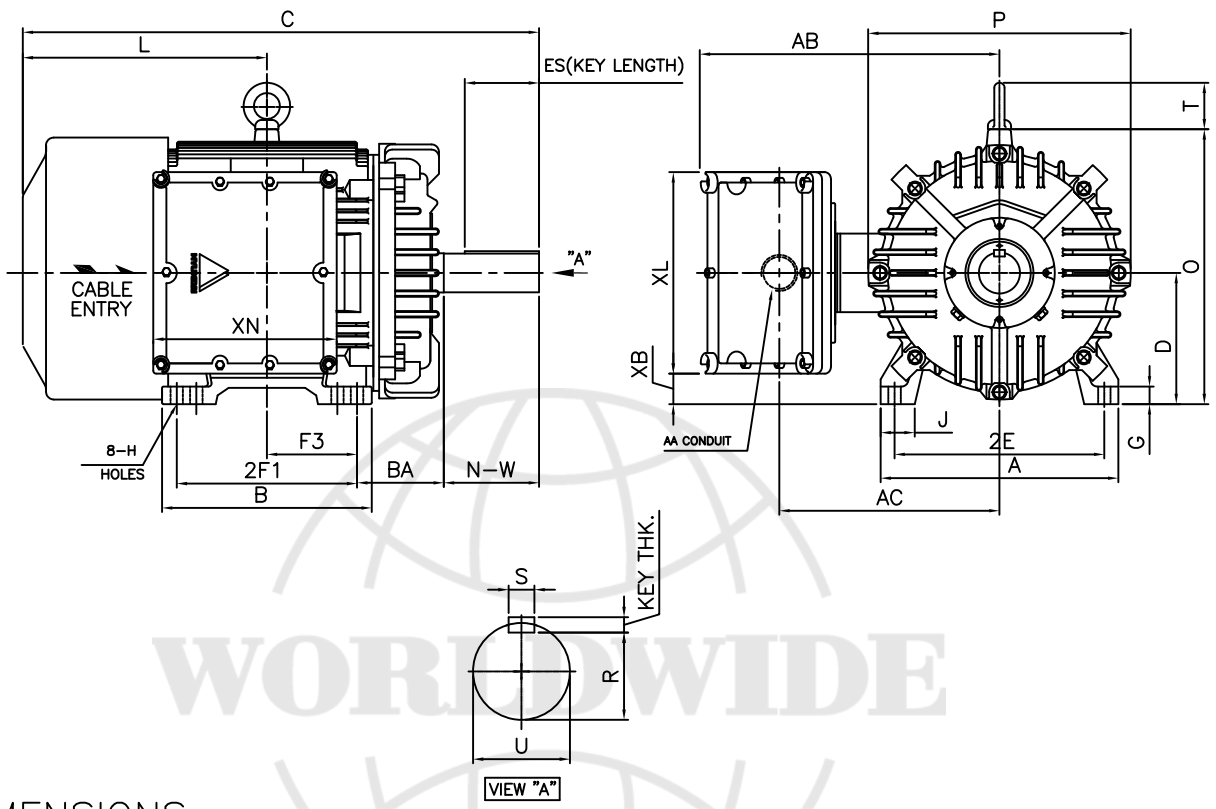


		<h1>TEFC</h1>		TYPE XKP,XIP Cast iron frame
		THREE PHASE INDUCTION MOTOR		

FRAME SIZE	OUTPUT(HP)	POLES	Hz	TIME RATING
405TS			60	CONT



DIMENSIONS

MOUNTING									CONDUIT BOX					APPROX. WGT.(LB)	
A	B	2E	2F1	2F2	F3	G	J	H	AA	AB	AC	XB	XL	XN	
18.11	15.98	16.00	13.75	-	6.870	1.18	2.59	0.81	3.00	22.83	17.32	2.16	15.35	13.97	2P: 1852 or 4P: 1830 or 6P: 1830

OVERALL						SHAFT				KEY	BEARING			
BA	C	D	L	O	P	T	U	N-W	KEYWAY			THK.	DRIVE END	OPP. DRIVE END
			R	ES	S									
6.62	36.33	10.00	18.60	20.94	20.00	3.55	2.125	4.25	1.845	2.80	0.500	0.500	6313C3	6313C3

NOTE

- Dimension "D" tolerance : +0.00inch - 0.03inch (143T-365T) ; +0.000inch - 0.06inch (404T-449T)
- Dimension "U" tolerance : +0.000inch - 0.005inch (143T-215T), +0.000inch - 0.001inch (254T-449T)
- Dimension "R" tolerance : +0.000inch - 0.015inch

Q'TY	DESCRIPTION	MATERIAL	DIMENSION	WEIGHT	PART NO.	REMARK	NO.
APPD BY		UNIT mm	SUBJECT	405TS		DWG SIZE	
CHKD BY		SCALE 1/15	TITLE	Outline		A4 (1:15)	
CHKD BY		PROJEC'N 3각법(3rd Angle)					
DSND BY 김중선		DATE 2012-02-15					