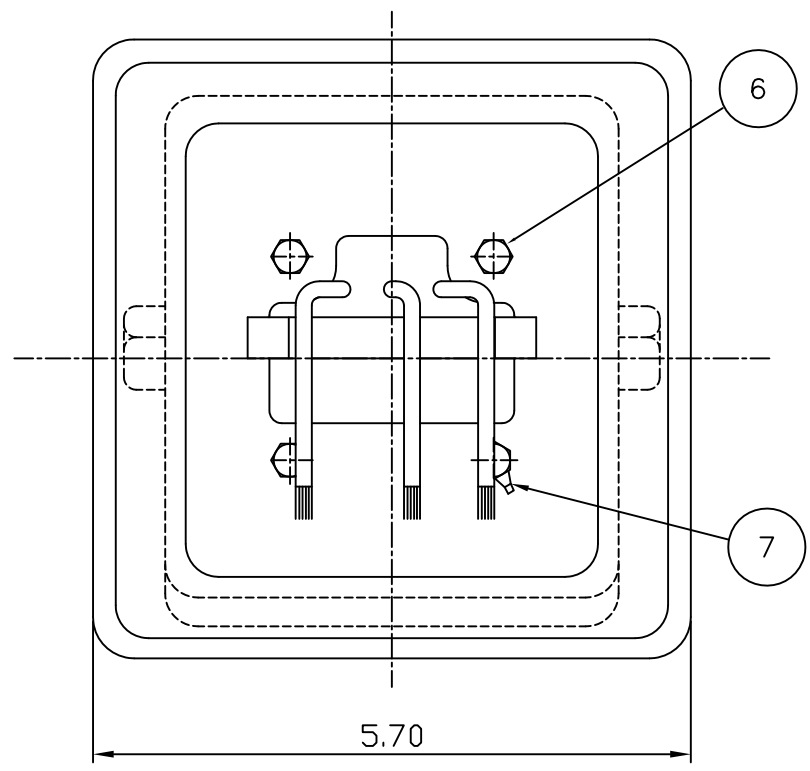
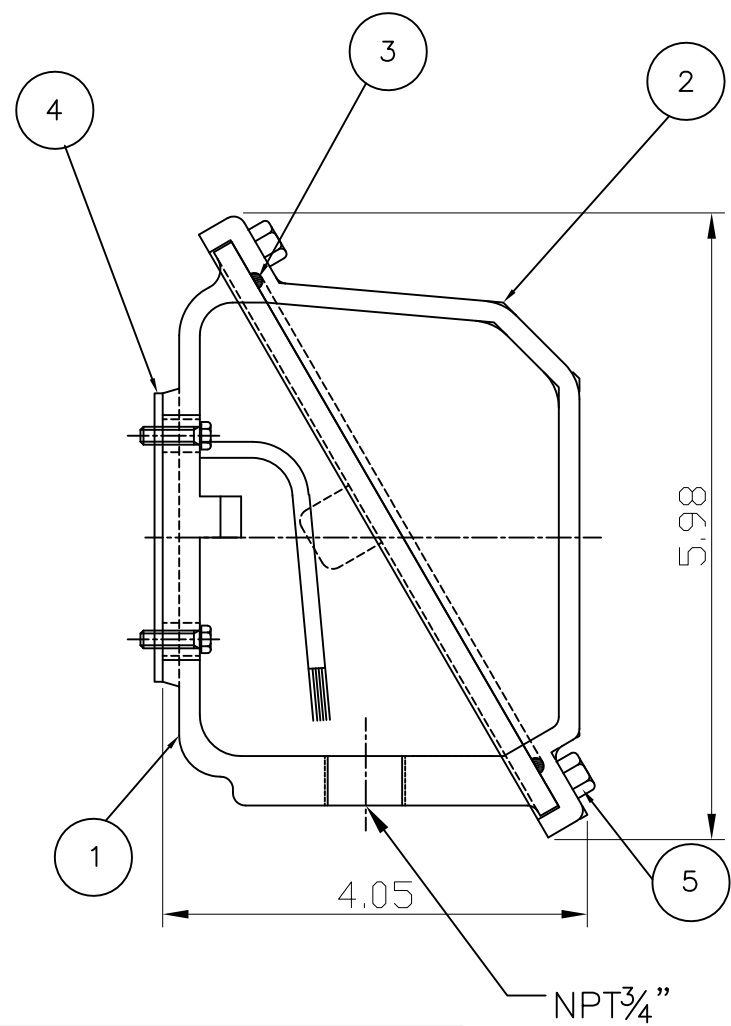


THIS DRAWING IS PROPRIETARY TO HHI. NO PART OF THIS DRAWING MAYBE REPRODUCED WITHOUT THE PERMISSION OF HHI.



PT	DESCRIPTION	MATERIAL	DIMENSION	Q'TY
1	CONDUIT BOX	FC15	---	1
2	CONDUIT BOX COVER	FC15	---	1
3	O-RING / COVER	EPDM	ø4	1
4	BOX GASKET	NBR	---	1
5	COVER+BOX HEX BOLT	S45C	M6 X L20	4
6	BOX+FRAME HEX BOLT	S45C	M6 X L20	4
7	GROUND TERMINAL LUG	CU	---	1

Q'TY	DESCRIPTION	MATERIAL	DIMENSION	WEIGHT	PART NO.	REMARK	NO.
APPD BY		UNIT	INCH	SUBJECT	NEMA 182/184	CAD PROJ \ FILE	
CHKD BY		SCALE	1:1	TITLE	TERMINAL BOX ASSEMBLY		
CHKD BY	---	PROJEC'N	(3rd Angle)	DSND BY	JEONG JIN SEON	DATE	2007.04.28.
REF. NO	227B8004NA1	Sheet No. of					
DWG NO	227B8004NA1	Revision No.		0			

REV	DATE	CONTENTS	REVD BY	CHKD BY	CHKD BY	APPD BY