



# IEEE841 TEFC

## THREE PHASE INDUCTION MOTOR

### TYPE

PLP

CAST IRON FRAME

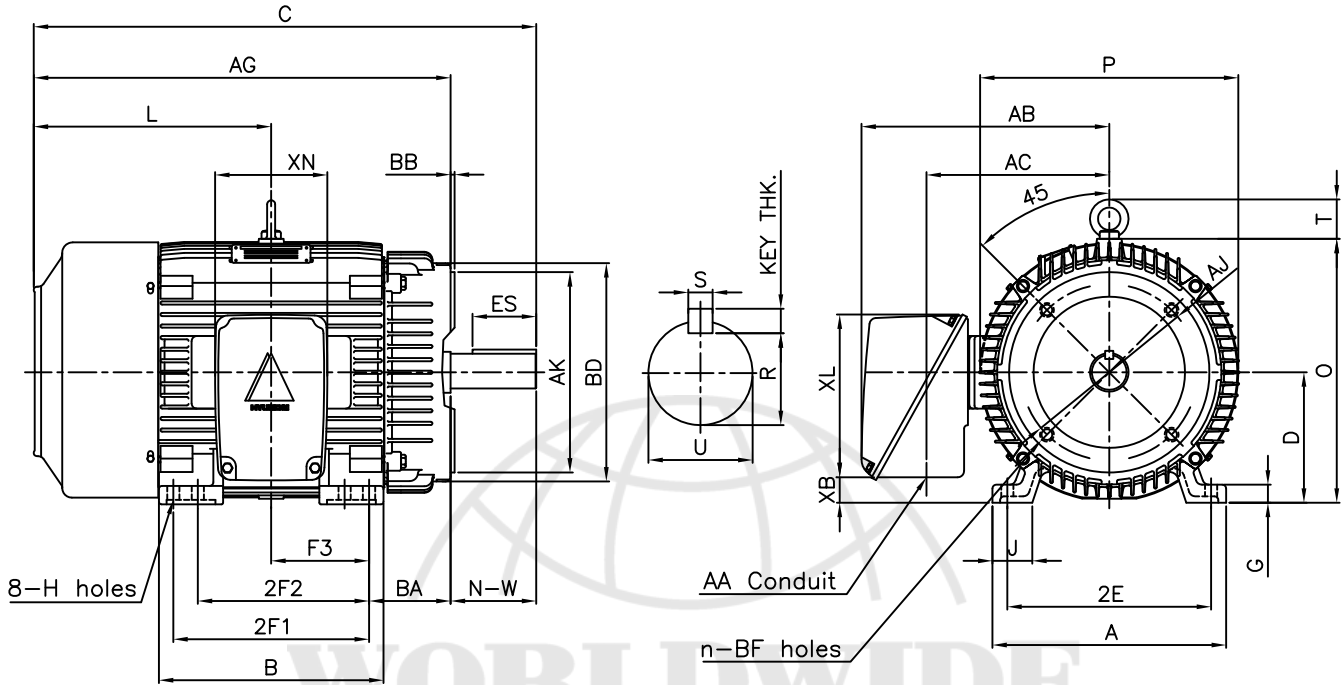
FRAME SIZE

OUTPUT(HP)

POLES

Hz

TIME RATING



F L A N G E						M O U N T I N G								
AJ	AK	BD	BB	BF	n	A	B	2E	2F1 <sup>5)</sup>	2F2 <sup>4)</sup>	F3	G	J	H
11.0	12.50	13.27	0.25	5/8-11	4	14.33	13.78	12.50	12.00	10.50	6.00	1.11	2.36	0.66

C O N D U I T B O X						O V E R A L L									APPROX. WGT.(LB)	
AA	AB	AC	XB	XL	XN	AG	BA	C	D	L	O	P	T	324T	326T	
2.00	15.20	11.21	1.57	10.16	7.01	25.82	5.25	31.10	8.00	14.60	16.19	15.84	2.41	550	560	

S H A F T					KEY THK.	B E A R I N G	
U	N-W	KEYWAY				DRIVE END	OPP. DRIVE END
		R	ES	S			
2.125	5.25	1.845	3.91	0.500	0.500	6313ZC3	6211ZC3

**NOTE**

- 1.Dimension "D" tolerance : +0.00inch - 0.03inch
- 2.Dimension "U" tolerance : +0.000inch - 0.001inch
- 3.Dimension "R" tolerance : +0.000inch - 0.015inch
- 4.Location of holes for 324TC frame
- 5.Location of holes for 326TC frame

APPD BY	KIM.Y.S	UNIT	INCH	SUBJECT	NEMA 324TC/326TC	CAD PROJ \ FILE
CHKD BY	KO.S.H	SCALE	1/12			XSMOUTN\A1312BA
CHKD BY		PROJEC'N	3rd Angle	TITLE <b>OUTLINE</b>		
DSND BY	LEE KWANG SOO	DATE	2004.04.02			
				REF. NO	A1312AA	Sheet No. of
				DWG NO	350A1312AA	Revision No. 0