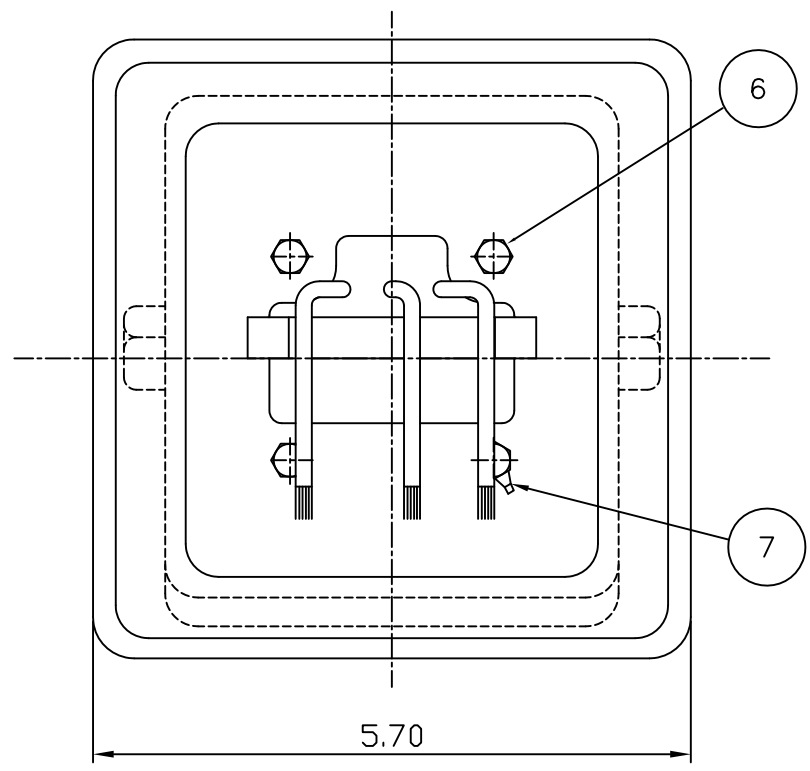
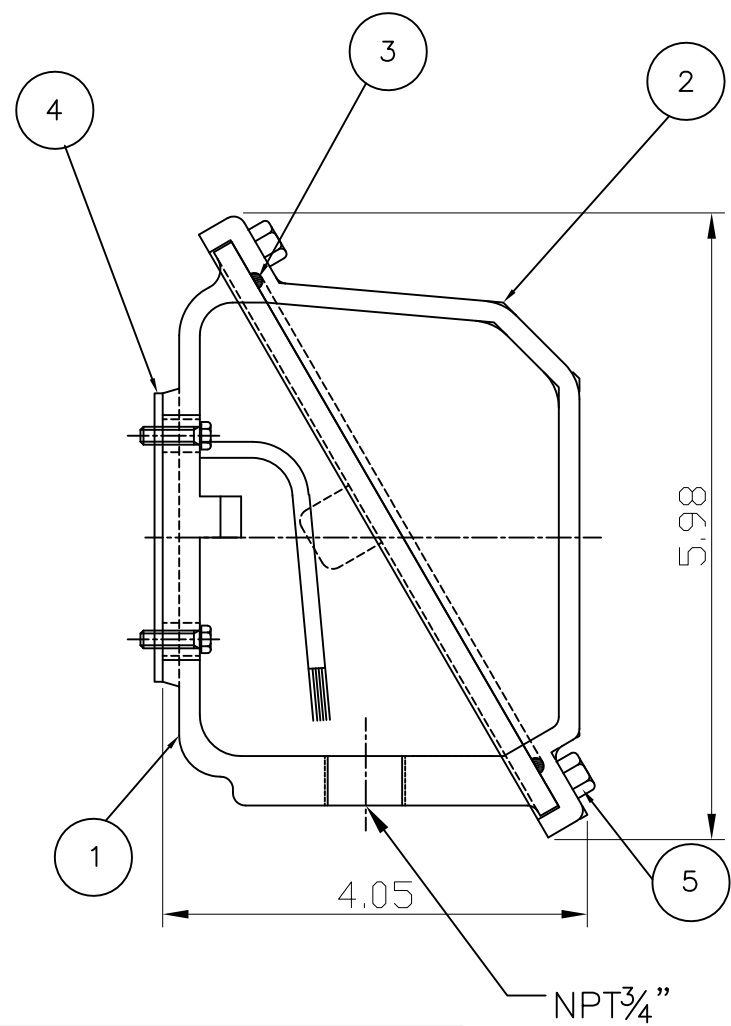
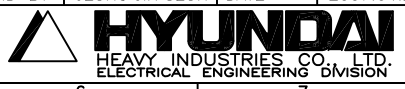


THIS DRAWING IS PROPRIETARY TO HHI. NO PART OF THIS DRAWING MAYBE REPRODUCED WITHOUT THE PERMISSION OF HHI.



| PT | DESCRIPTION | MATERIAL | DIMENSION | Q'TY |
|----|---------------------|----------|-----------|------|
| 1 | CONDUIT BOX | FC15 | --- | 1 |
| 2 | CONDUIT BOX COVER | FC15 | --- | 1 |
| 3 | O-RING / COVER | EPDM | ø4 | 1 |
| 4 | BOX GASKET | NBR | --- | 1 |
| 5 | COVER+BOX HEX BOLT | S45C | M6 X L20 | 4 |
| 6 | BOX+FRAME HEX BOLT | S45C | M6 X L20 | 4 |
| 7 | GROUND TERMINAL LUG | CU | --- | 1 |

| Q'TY | DESCRIPTION | MATERIAL | DIMENSION | WEIGHT | PART NO. | REMARK | NO. |
|---------|----------------|-------------|-------------|-----------------------|--------------|-----------------|-----|
| APPD BY | | UNIT | INCH | SUBJECT | NEMA 182/184 | CAD PROJ \ FILE | |
| CHKD BY | | SCALE | 1:1 | 227B8008CB2 | | | |
| CHKD BY | --- | PROJEC'N | (3rd Angle) | TITLE | | | |
| DSND BY | JEONG JIN SEON | DATE | 2007.04.28. | TERMINAL BOX ASSEMBLY | | | |
| REF. NO | | 227B8004NA1 | | Sheet No. | | of | |
| DWG NO | | 227B8004NA1 | | Revision No. | | 0 | |



| REV | DATE | CONTENTS | REVD BY | CHKD BY | CHKD BY | APPD BY |
|-----|------|----------|---------|---------|---------|---------|
| | | | | | | |