



IEEE841 TEFC

THREE PHASE INDUCTION MOTOR

TYPE

PLP

CAST IRON FRAME

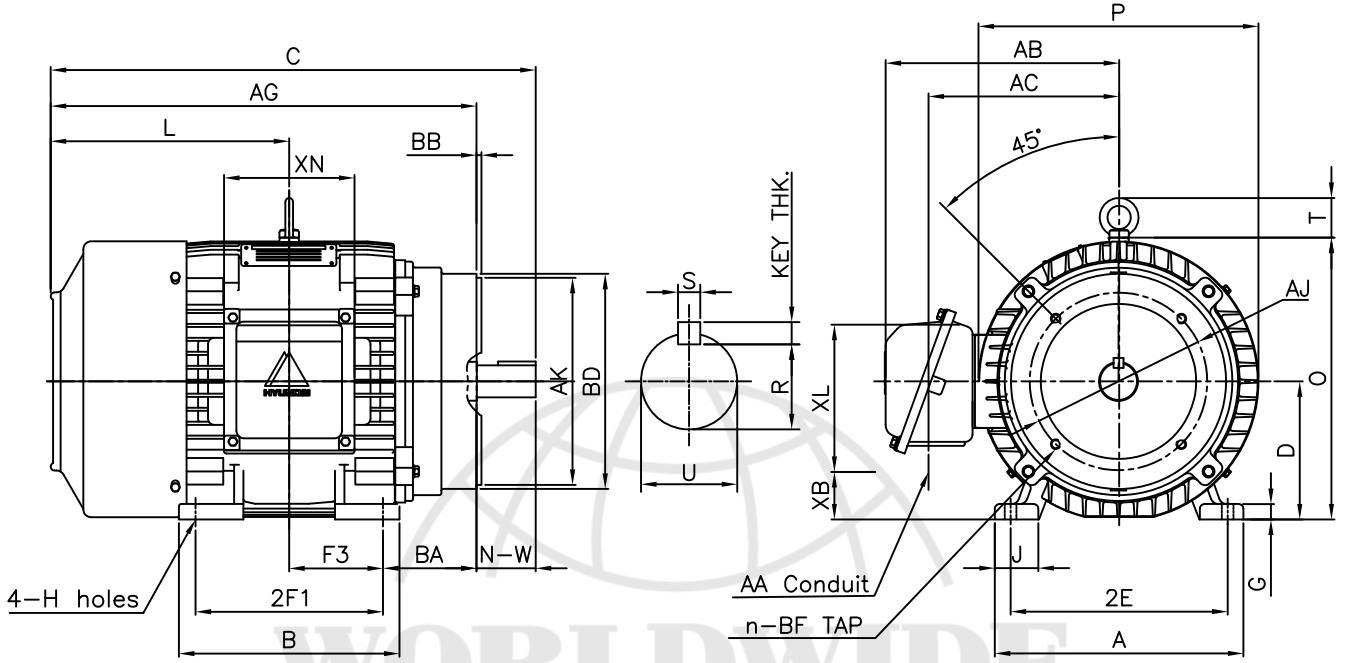
FRAME SIZE

OUTPUT(HP)

POLES

Hz

TIME RATING



DIMENSIONS

F L A N G E						M O U N T I N G								
AJ	AK	BD	BB	BF	n	A	B	2E	2F1	2F2	F3	G	J	H
9.00	10.50	10.9	0.25	1/2-13	4	12.60	11.18	11.00	9.50	-	4.75	0.78	2.20	0.53

C O N D U I T B O X						O V E R A L L								APPROX. WGT.(LB)
AA	AB	AC	XB	XL	XN	AG	BA	C	D	L	O	P	T	
1.50	12.43	9.64	2.58	7.32	6.61	21.59	4.75	24.87	7.00	12.12	14.28	14.19	2.01	380

S H A F T					KEY THK.	B E A R I N G	
U	N-W	KEYWAY				DRIVE END	OPP. DRIVE END
		R	ES	S			
1.625	3.25	1.416	1.91	0.375	0.375	6310ZC3	6310ZC3

NOTE

- 1.Dimension "D" tolerance : +0.00inch - 0.03inch
- 2.Dimension "U" tolerance : +0.000inch - 0.0005inch
- 3.Dimension "R" tolerance : +0.000inch - 0.015inch

APPD BY	KIM.Y.S	UNIT	INCH	SUBJECT	NEMA 284TSC	CAD PROJ \ FILE
CHKD BY	KO.S.H	SCALE	1/10			XSMOUTIN\A8309BA
CHKD BY		PROJEC'N	3rd Angle	TITLE OUTLINE		
DSND BY	Y.J.HWANG	DATE	2004.11.19			
				REF. NO	A1309BA	Sheet No. of
				DWG NO	350A8309BA	Revision No. 0