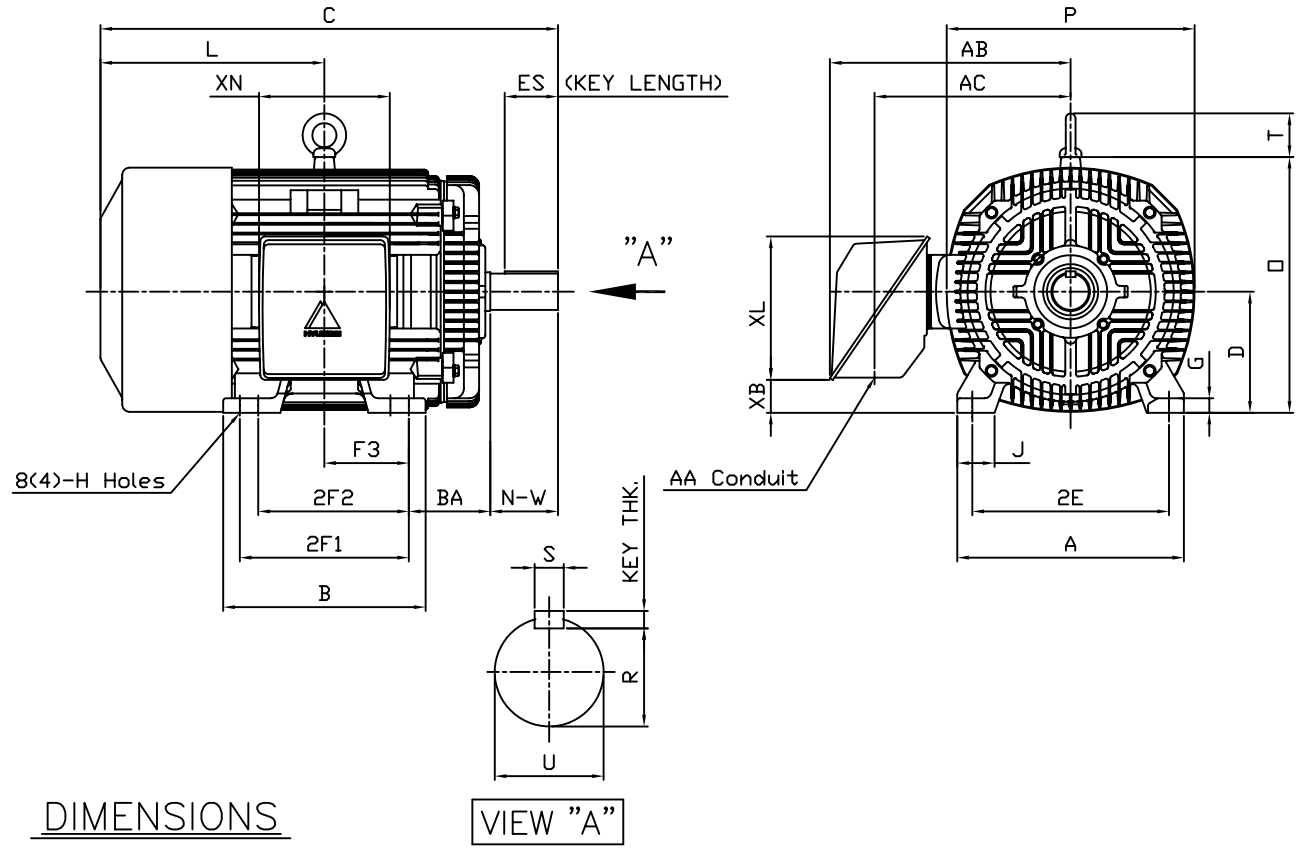


본 도면은 현대중공업(주) 재산이며 복제할 수 없습니다 (취급유의)

THIS DRAWING IS PROPRIETARY TO HEECO. NO PART OF THIS DRAWING MAYBE REPRODUCED WITHOUT THE PERMISSION OF HHI.

| | | | | | |
|------------|------------|---|----|-------------|------------------------|
| | | IEEE841 TEFC THREE PHASE INDUCTION MOTOR | | TYPE | PLP Cast iron frame |
| FRAME SIZE | OUTPUT(HP) | POLES | Hz | TIME RATING | |
| 405T | | | 60 | CONT | |



DIMENSIONS

VIEW "A"

| M O U N T I N G | | | | | | | | | C O N D U I T B O X | | | | | APPROX. WGT.(LB) | |
|-----------------|-------|-------|-------|---------|-------|------|------|------|---------------------|-------|-------|------|-------|------------------|------|
| A | B | 2E | 2F1 | 2F2 | F3 | G | J | H | AA | AB | AC | XB | XL | XN | |
| 18.43 | 16.46 | 16.00 | 13.75 | (12.25) | 6.870 | 1.18 | 3.03 | 0.81 | 3.00 | 20.28 | 14.85 | 2.83 | 11.65 | 10.63 | 1220 |

| O V E R A L L | | | | | | | S H A F T | | | KEY | BEARING | | | |
|---------------|-------|-------|-------|-------|-------|------|-----------|------|--------|------|---------|-------|-----------|----------------|
| BA | C | D | L | O | P | T | U | N-W | KEYWAY | | | THK. | DRIVE END | OPP. DRIVE END |
| | | | | | | | | | R | ES | S | | | |
| 6.62 | 41.01 | 10.00 | 20.57 | 20.79 | 20.16 | 3.55 | 2.875 | 7.25 | 2.450 | 5.65 | 0.750 | 0.750 | 6316C3 | 6313C3 |

NOTE

1. Dimension "D" tolerance : +0.00inch - 0.03inch (143T-365T) ; +0.000inch - 0.06inch (404T-449T)
2. Dimension "U" tolerance : +0.000inch - 0.005inch (143T-215T), +0.000inch - 0.001inch (254T-449T)
3. Dimension "R" tolerance : +0.000inch - 0.015inch

| Q'TY | DESCRIPTION | MATERIAL | DIMENSION | WEIGHT | PART NO. | REMARK | NO. |
|---------|-------------|----------|-----------------|---------|----------|---------------------|-----|
| APPD BY | K.J.KANG | UNIT | INCH | SUBJECT | 405T | CAD PROJ ㄹ \ FILE ㄹ | |
| Q.P CHK | O.J.KIM | SCALE | N/S | | | | |
| CHKD BY | N.D.LEE | PROJEC'N | 3 각법(3rd Angle) | TITLE | | | |
| DSND BY | A.L.SHIN | DATE | 2011.03.31 | | | | |



| | | |
|---------|------------|----------------|
| REF. NO | A8116AA | Sheet No. of |
| DWG NO | 350A8116AA | Revision No. 0 |