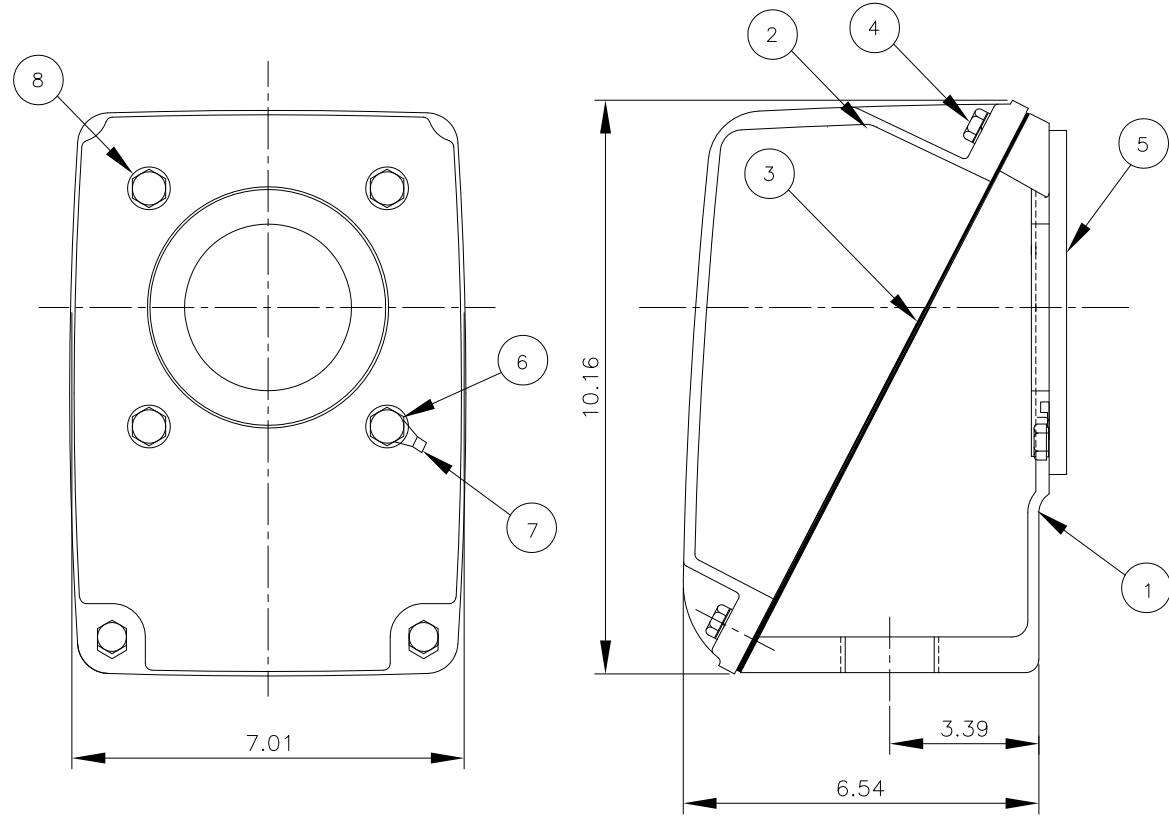


THIS DRAWING IS PROPRIETARY TO HHI. NO PART OF THIS DRAWING MAYBE REPRODUCED WITHOUT THE PERMISSION OF HHI.



| PT | DESCRIPTION | MATERIAL | DIMENSION | Q,TY |
|----|-----------------|----------|------------|------|
| 1 | CONDUIT BOX | FC20 | | 1 |
| 2 | C/B COVER | FC20 | | 1 |
| 3 | GASKET(COVER) | N.B.R | T2X170X210 | 1 |
| 4 | SCREW(COVER) | S45C | M8XL20 | 4 |
| 5 | GASKET(C/B) | N.B.R | | 1 |
| 6 | SCREW(C/B) | S45C | M8XL20 | 4 |
| 7 | TERMINAL GROUND | CU | T1.6 | 1 |
| 8 | WASHER | S45C | M8 X L10 | 4 |

| | |
|------|-------|
| ▽ | 50S |
| ▽▽ | 12.5S |
| ▽▽▽ | 3.2S |
| ▽▽▽▽ | 0.4S |

| REV | DATE | CONTENTS | REVD BY | CHKD BY | CHKD BY | APPD BY |
|-----|------|----------|---------|---------|---------|---------|
| 1 | | | | | | |

| 일반기준공차 | | 일반계관공차 | |
|--------|------|----------|------|
| 1-4 | ±0.1 | 6-30 | ±0.5 |
| 4-18 | ±0.2 | 30-120 | ±0.8 |
| 18-63 | ±0.3 | 120-315 | ±1.2 |
| 63-250 | ±0.5 | 315-1000 | ±2.0 |
| 250- | ±0.8 | 1000- | ±3.0 |

| Q'TY | DESCRIPTION | MATERIAL | DIMENSION | WEIGHT | PART NO. | REMARK | NO. |
|---------|------------------|----------|----------------|----------------------------|-------------|--------------|-----------|
| APPD BY | KANG KYEONG JUNG | UNIT | INCH | SUBJECT | NEMA 320 | | DWG SIZE |
| CHKD BY | LEE NOH DUK | SCALE | 1/2 | TITLE | | | A3 (1:30) |
| CHKD BY | KIM IN KYU | PROJEC'N | 3각법(3rd Angle) | Main Terminal Box Assembly | | | |
| DSND BY | KIM EUN SEONG | DATE | 2011-08-30 | REF. NO | 227B8003CB5 | Sheet No. | of |
| | | | | DWG NO | 3M-145864 | Revision No. | 0 |