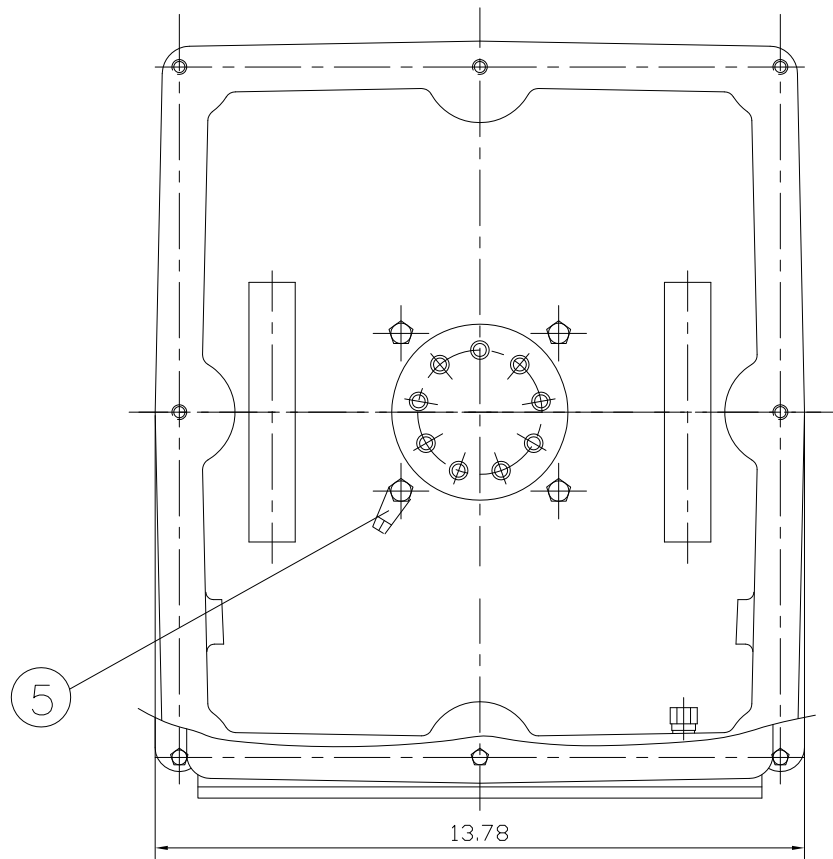
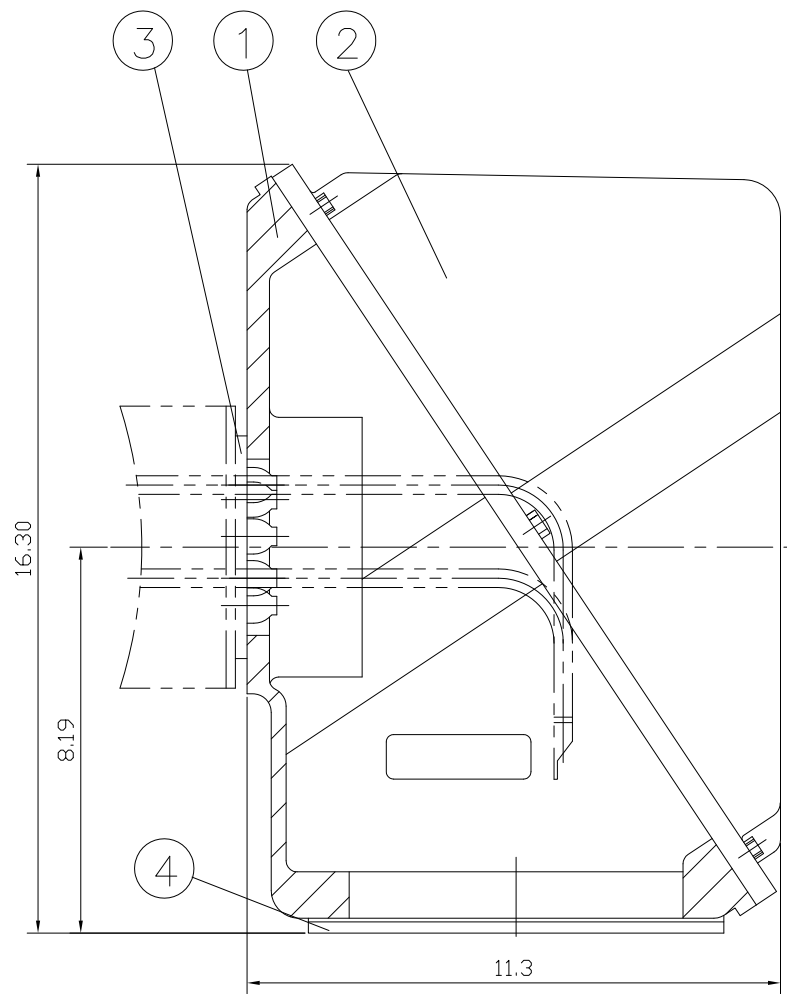


THIS DRAWING IS PROPRIETARY TO HEECO. NO PART OF THIS DRAWING MAYBE REPRODUCED WITHOUT THE PERMISSION OF HHI.



1	EARTH TERMINAL LUG						5
1	CABLE ENTRY PLATE						4
1	GASKET	NBR					3
1	TERMINAL BOX COVER	CAST IRON					2
1	TERMINAL BOX BODY	CAST IRON					1
Q'TY	DESCRIPTION	MATERIAL	DIMENSION	WEIGHT	PART NO.	REMARK	NO.
APPD BY	KANG KYOUNG JUNG	UNIT	INCH	SUBJECT	NEMA 440		CAD PROJ \ FILE
CHKD BY	KIM OK JIN	SCALE	1/3				S/T-BOX-M/3r038513
DSND BY	 	PROJEC'N	3rd Angle	TITLE			
TRCD BY	KIM JONG SEON	DATE	99.04.28	Main Terminal Box Assembly			
REF. NO						Sheet No.	of
DWG NO	3M-038513					Revision No.	0

REV	DATE	CONTENTS	REVD BY	CHKD BY	CHKD BY	APPD BY
1						

일반가공공차		일반재관공차	
1-4	±0.1	6-30	±0.5
4-18	±0.2	30-120	±0.8
18-63	±0.3	120-315	±1.2
63-250	±0.5	315-1000	±2.0
250-	±0.8	1000-	±3.0