

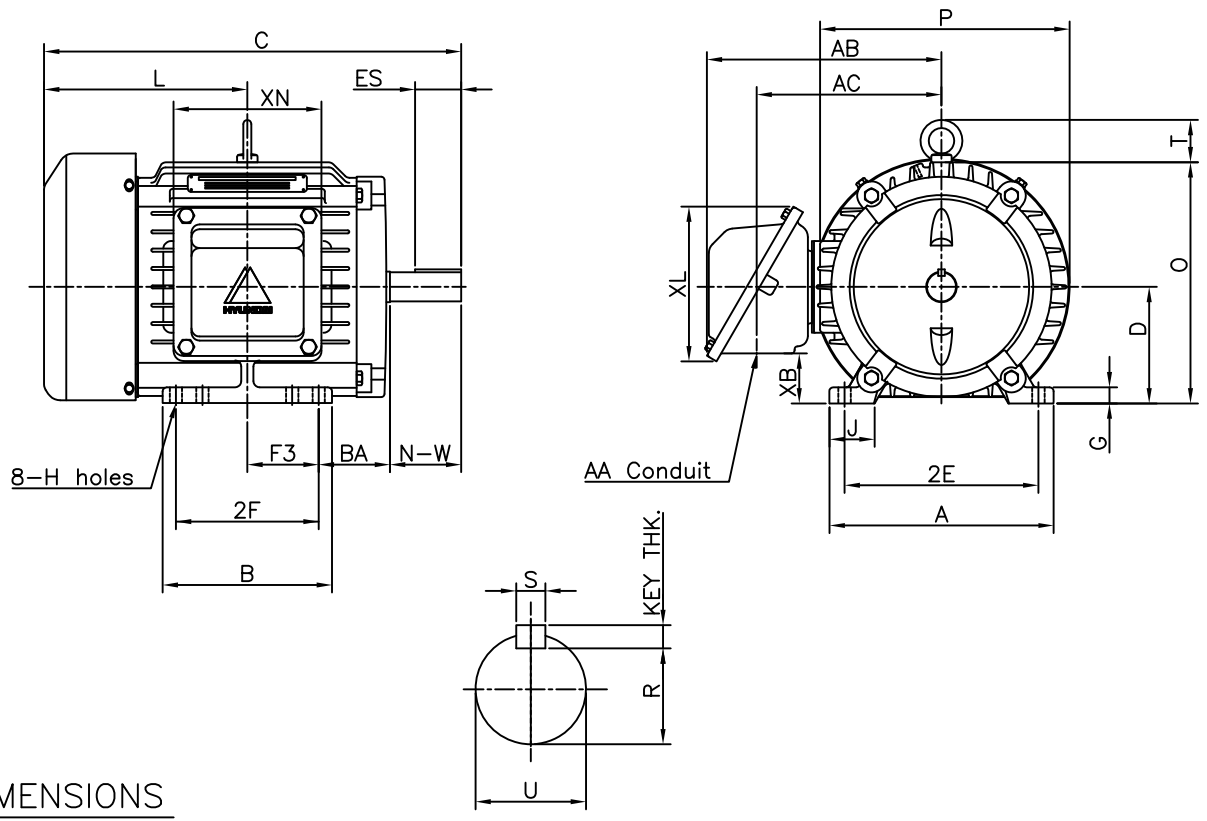


I E E E 8 4 1 TEFC
THREE PHASE INDUCTION MOTOR

TYPE

LP,JP
 CAST IRON FRAME

FRAME SIZE	OUTPUT(HP)	POLES	Hz	TIME RATING



DIMENSIONS

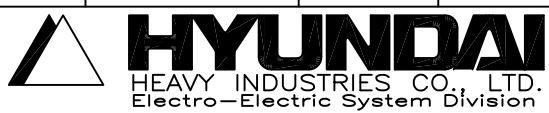
M O U N T I N G									C O N D U I T B O X						APPROX. WGT.(LB)
A	B	2E	2F	-	F3	G	J	H	AA	AB	AC	XB	XL	XN	
8.66	6.54	7.50	5.50	-	2.75	0.62	1.74	0.41	0.75	9.06	7.14	1.93	5.97	5.71	105

O V E R A L L								S H A F T			KEY THK.	B E A R I N G		
BA	C	D	L	O	P	T	U	N-W	K E Y W A Y			DRIVE END	OPP. DRIVE END	
									R	ES				S
2.75	16.12	4.50	7.85	9.32	9.64	1.63	1.125	2.75	0.986	1.78	0.250	0.250	6206ZC3	6206ZC3

NOTE

- 1.Dimension "D" tolerance : +0.00inch - 0.03inch
- 2.Dimension "U" tolerance : +0.000inch - 0.0005inch
- 3.Dimension "R" tolerance : +0.000inch - 0.015inch

APPD BY	J.H.KIM	UNIT	INCH	SUBJECT	NEMA 184T	CAD PROJ \ FILE
CHKD BY	N.D.LEE	SCALE	1/8			SCALE-NEMA\A1104AA
CHKD BY	K.S.LEE	PROJEC'N	3rd Angle	TITLE OUTLINE		
DSND BY	S.W.SEO	DATE	2010.12.20			



REF. NO	350A8104AA	Sheet No. of
DWG NO	350A8104AA	Revision No. 0