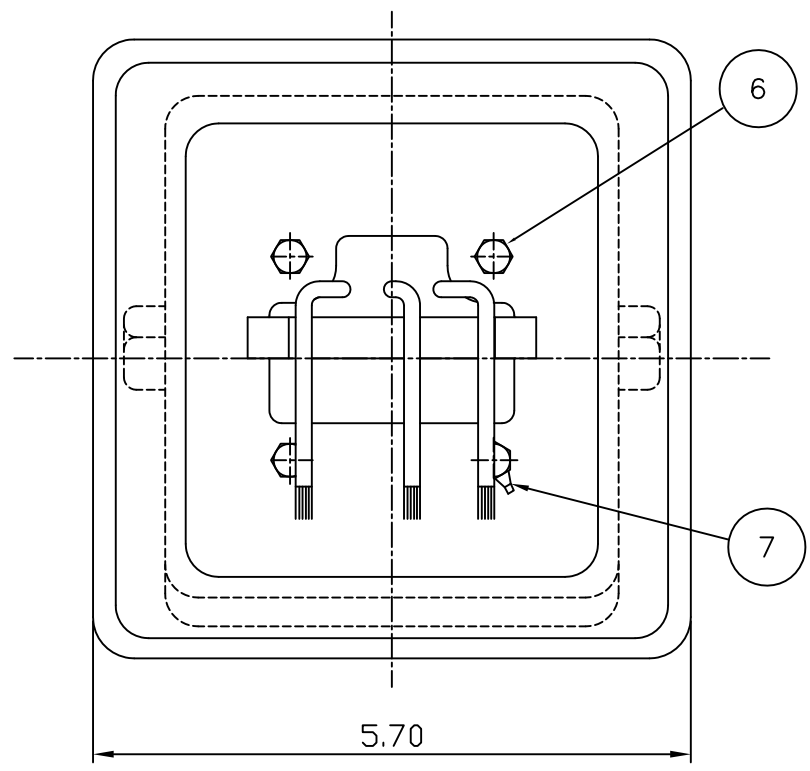
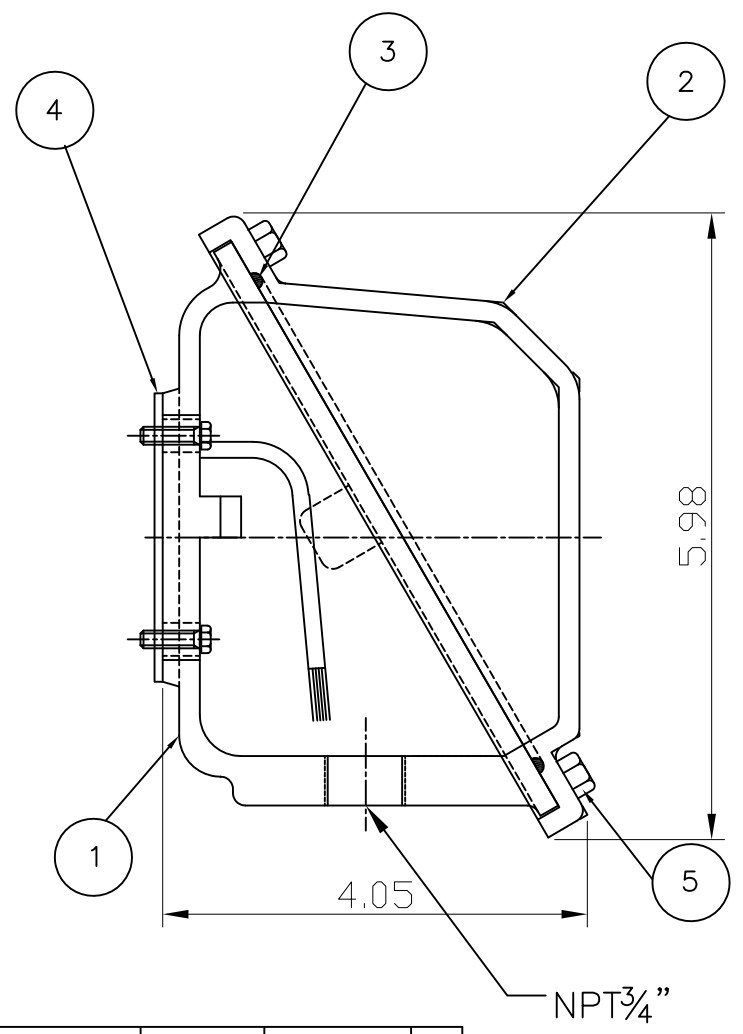


THIS DRAWING IS PROPRIETARY TO HHI. NO PART OF THIS DRAWING MAYBE REPRODUCED WITHOUT THE PERMISSION OF HHI.



| PT | DESCRIPTION         | MATERIAL | DIMENSION | Q'TY |
|----|---------------------|----------|-----------|------|
| 1  | CONDUIT BOX         | FC15     | ---       | 1    |
| 2  | CONDUIT BOX COVER   | FC15     | ---       | 1    |
| 3  | O-RING / COVER      | EPDM     | ∅4        | 1    |
| 4  | BOX GASKET          | NBR      | ---       | 1    |
| 5  | COVER+BOX HEX BOLT  | S45C     | M6 X L20  | 4    |
| 6  | BOX+FRAME HEX BOLT  | S45C     | M6 X L20  | 4    |
| 7  | GROUND TERMINAL LUG | CU       | ---       | 1    |

| Q'TY    | DESCRIPTION    | MATERIAL    | DIMENSION   | WEIGHT                | PART NO.     | REMARK          | NO. |
|---------|----------------|-------------|-------------|-----------------------|--------------|-----------------|-----|
| APPD BY |                | UNIT        | INCH        | SUBJECT               | NEMA 182/184 | CAD PROJ \ FILE |     |
| CHKD BY |                | SCALE       | 1:1         | 227B8008CB2           |              |                 |     |
| CHKD BY | ---            | PROJEC'N    | (3rd Angle) | TITLE                 |              |                 |     |
| DSND BY | JEONG JIN SEON | DATE        | 2007.04.28. | TERMINAL BOX ASSEMBLY |              |                 |     |
| REF. NO |                | 227B8004NA1 |             | Sheet No.             |              | of              |     |
| DWG NO  |                | 227B8004NA1 |             | Revision No.          |              | 0               |     |



| REV | DATE | CONTENTS | REVD BY | CHKD BY | CHKD BY | APPD BY |
|-----|------|----------|---------|---------|---------|---------|
|     |      |          |         |         |         |         |