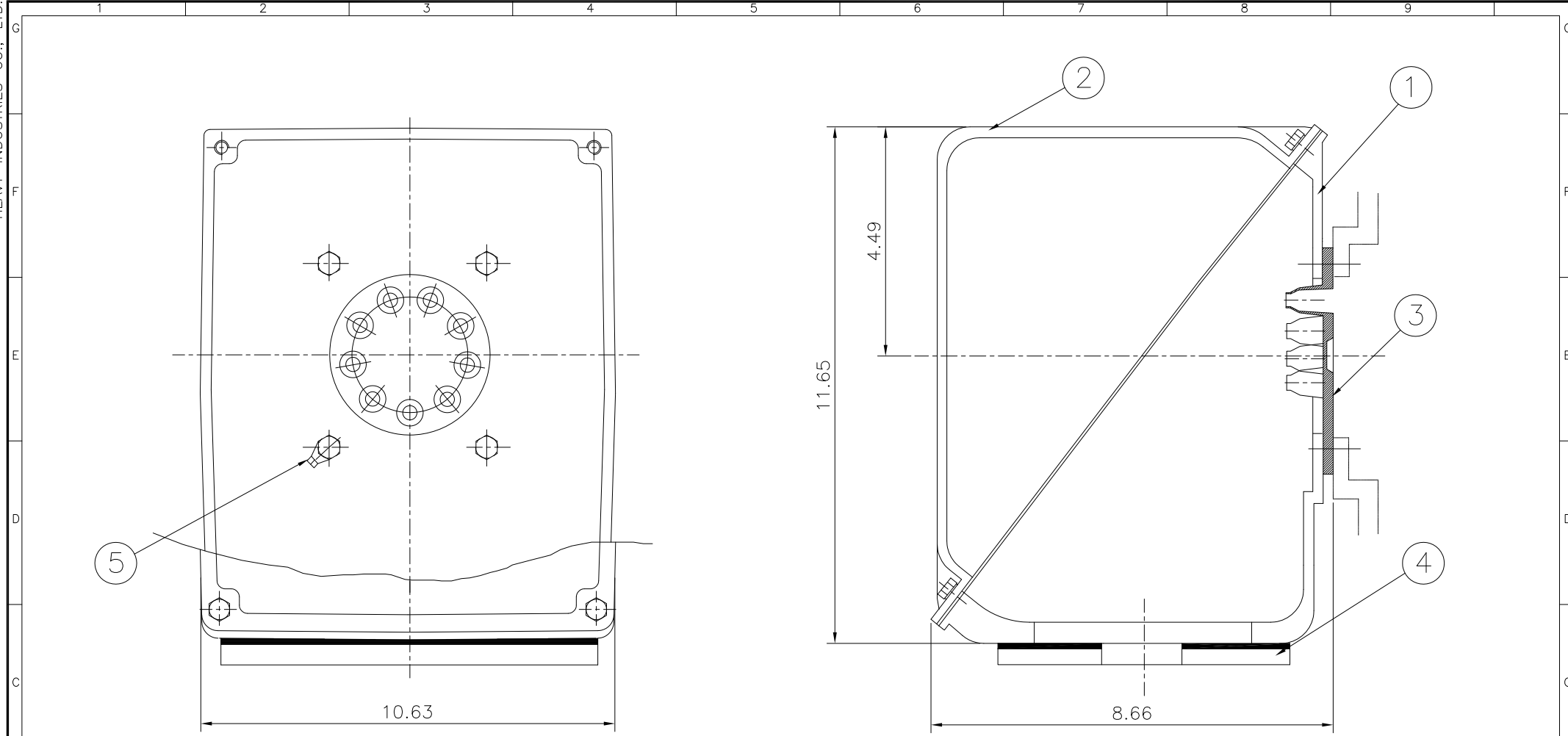


THIS DRAWING IS PROPRIETARY TO HHI. NO PART OF THIS DRAWING MAYBE REPRODUCED WITHOUT THE PERMISSION OF HHI.



▽	50S
▽▽	12.5S
▽▽▽	3.2S
▽▽▽▽	0.4S

REV	DATE	CONTENTS	REVD BY	CHKD BY	CHKD BY	APPD BY	일반제공공차		일반제관공차	
							1-4	±0.1	6-30	±0.5
							4-18	±0.2	30-120	±0.8
							18-63	±0.3	120-315	±1.2
							63-250	±0.5	315-1000	±2.0
							250-	±0.8	1000-	±3.0

1	EARTH TERMINAL LUG								5
1	CABLE ENTRY PLATE								4
1	GASKET	NBR							3
1	TERMINAL BOX COVER	CAST IRON							2
1	TERMINAL BOX BODY	CAST IRON							1
Q'TY	DESCRIPTION	MATERIAL	DIMENSION	WEIGHT	PART NO.	REMARK	NO.		
APPD BY	KANG KYEONG JUNG	UNIT	INCH	SUBJECT	NEMA 400, 440		DWG SIZE	A3 ( 1:1 )	
CHKD BY	KIM JIN HONG	SCALE	Non Scale	TITLE					
CHKD BY	KIM OK JIN	PROJEC'N	3각법 (3rd Angle)	Main Terminal Box Assembly					
DSND BY	KIM RYANG GYU	DATE	2011-10-21						
REF. NO							Sheet No.	of	
DWG NO	3M-016882						Revision No.	0	