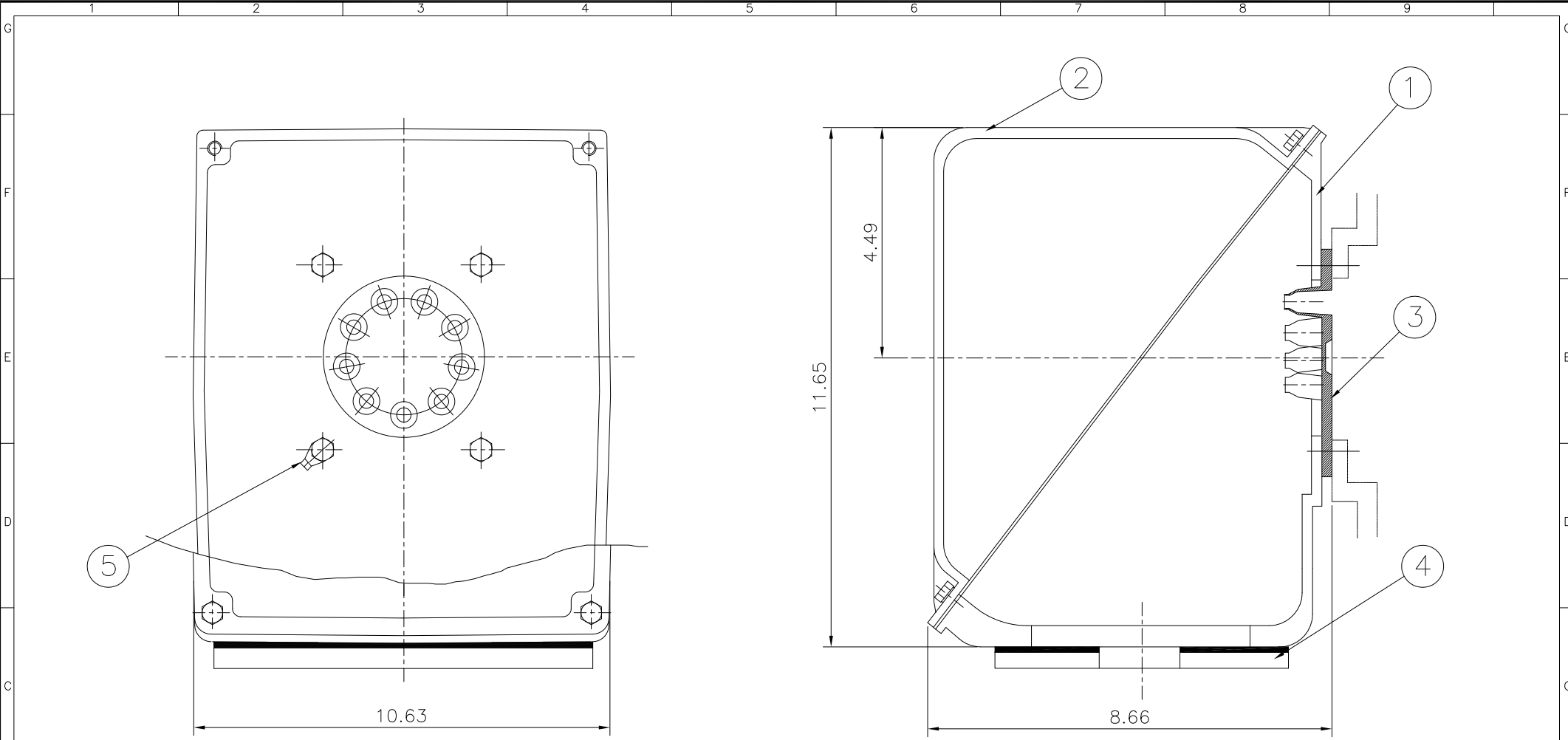


THIS DRAWING IS PROPRIETARY TO HHI. NO PART OF THIS DRAWING MAY BE REPRODUCED WITHOUT THE PERMISSION OF HHI.



▽	50S
▽▽	12.5S
▽▽▽	3.2S
▽▽▽▽	0.4S

REV	DATE	CONTENTS	REVD BY	CHKD BY	CHKD BY	APPD BY	일반제공공차		일반제관공차	
							1-4	±0.1	6-30	±0.5
							4-18	±0.2	30-120	±0.8
							18-63	±0.3	120-315	±1.2
							63-250	±0.5	315-1000	±2.0
							250-	±0.8	1000-	±3.0

1	EARTH TERMINAL LUG									5
1	CABLE ENTRY PLATE									4
1	GASKET	NBR								3
1	TERMINAL BOX COVER	CAST IRON								2
1	TERMINAL BOX BODY	CAST IRON								1
Q'TY	DESCRIPTION	MATERIAL	DIMENSION	WEIGHT	PART NO.	REMARK	NO.			
APPD BY	KANG KYEONG JUNG	UNIT	INCH	SUBJECT	NEMA 400, 440		DWG SIZE			
CHKD BY	KIM JIN HONG	SCALE	Non Scale			TITLE	Main Terminal Box Assembly			
CHKD BY	KIM OK JIN	PROJEC'N	3각법 (3rd Angle)							
DSND BY	KIM RYANG GYU	DATE	2011-10-21							
REF. NO						Sheet No.	of			
DWG NO	3M-016882					Revision No.	0			